

Intellia Sounder Control Module EMI-301/S

Instruction Sheet
R10131GB0



Schneider Electric Fire & Security Oy

Sokerilinnantie 11 C
FI-02600 Espoo, Finland
Tel: +358 10 446 511
Website: www.schneider-electric.com
Document number: R10131GB0
Published: 13.05.2019

© 2018 – Schneider Electric. All Rights Reserved. This information is only to be used as guidance. Subject to changes and errors.

Contents

1	Intellia Sounder Control Module EMI-301/S	4
1.1	Fault Monitoring	4
1.2	Schematic Diagram & Wiring Connections	5
1.3	Fault input	5
1.3.1	Normally closed fault contact.....	5
1.3.2	Fault input not used	5
1.3.3	Normally open fault contact	6

1 Intellia Sounder Control Module EMI-301/S

Intellia Sounder Control Module EMI-301/S (FFS06727351) for Esmi Sense FDP and FX fire detection system.

Fire protection systems can be engineered simply and effectively without the need for custom-designed equipment.

The EMI-301/S Module with Isolator is designed to control a zone of sounders powered by an external DC supply. The sounders will be switched to sound continuously or be pulsed, 1 s on, 1 s off. Sounder Control Units at different addresses may be controlled individually and have a facility for synchronizing the outputs, when being pulsed.

The Intellia series of products are all compatible with the ALC-board of Esmi Sense FDP and FX 3NET panel.

An opto-coupled input is provided to monitor the state of the external power supply.

The Sounder Control Unit with Isolator is fitted with a bi-directional short-circuit isolator and will be unaffected by loop short-circuits on either loop input or output.

It requires an external power supply of 9–32 VDC to power the external load, which may be up to 1A.

A polarising diode is required with each alarm device, as sounders are operated by voltage reversal, provided by a double-pole change-over relay. The sounder circuit is protected by a miniature (TR5) fuse rated at 1 A.

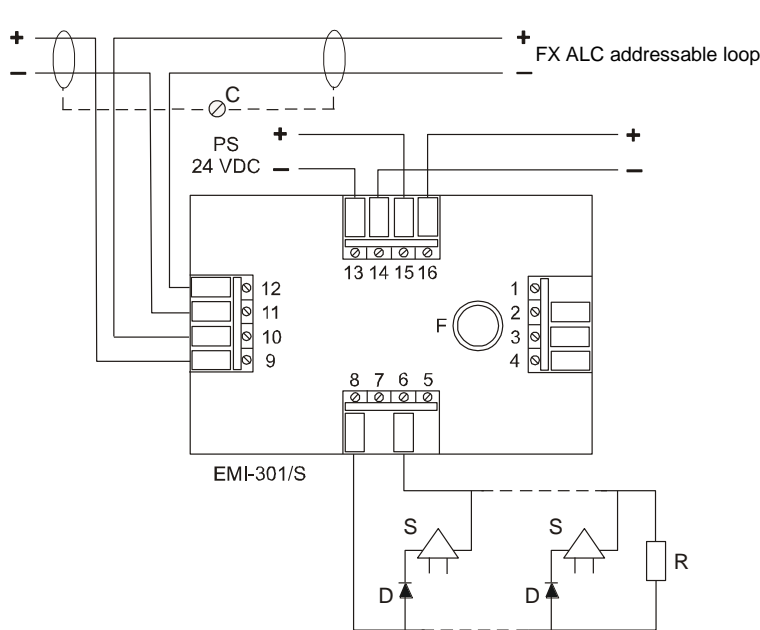
A 10 k Ω end of the line resistor for alarm device line monitoring is also required to the last device on the alarm device line.

Three LEDs, one red, two yellow, are visible through the front cover of the enclosure. The red one pulses or is illuminated continuously to indicate that the sounders are, respectively, pulsed or switched on continuously. One yellow LED is illuminated whenever a fault has been detected. The other LED is illuminated whenever the built-in isolator has sensed a short-circuit loop fault.

1.1 Fault Monitoring

In addition to the monitoring of open and short circuit faults on the sounder wiring, the EMI-301/S Sounder Control Module has a facility to monitor the presence and polarity of the external power supply to the sounders. This is achieved by a circuit which includes an input to monitor a volt-free, normally open contact. A wire link must be fitted if the fault contact is not used.

1.2 Schematic Diagram & Wiring Connections



S = Sounder with polarising diode (D)
 R = 10 kΩ 1/3 W
 PS = Local Power Supply
 F = Fuse 1.0A anti-surge

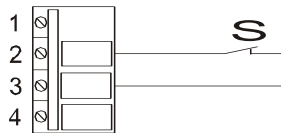
5 = Not Used
 6 = Sounder -
 7 = Not Used
 8 = Sounder +
 9 = L2 (+ve)
 10 = L2 (+ve)
 11 = L1 out (-ve)
 12 = L1 in (-ve)
 13 = Vext -ve, 24 VDC (PS)
 14 = Vext -ve, 24 VDC (PS)
 15 = Vext +ve, 24 VDC (PS)
 16 = Vext +ve, 24 VDC (PS)

C = Additional connector for shield

Note!
 This unit is polarity sensitive.

1.3 Fault input

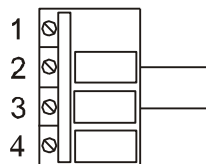
1.3.1 Normally closed fault contact



S = Fault contact of local power supply

1 = Not Used
 2 = Fault input NC
 3 = Fault input common
 4 = Fault input NO

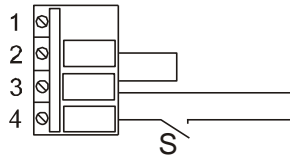
1.3.2 Fault input not used



1 = Not Used
 2 = Fault input NC
 3 = Fault input common
 4 = Fault input NO

Note!
 Wire link must be fitted.

1.3.3 Normally open fault contact



S = Fault contact of local power supply

- 1 = Not Used
- 2 = Fault input NC
- 3 = Fault input common
- 4 = Fault input NO