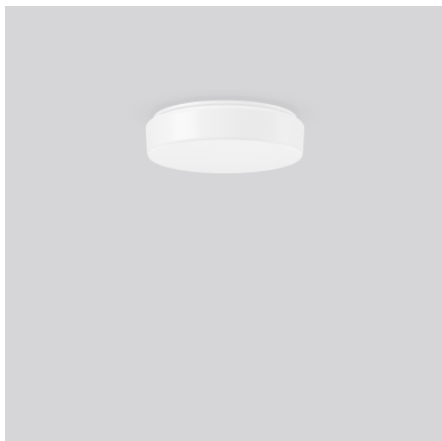


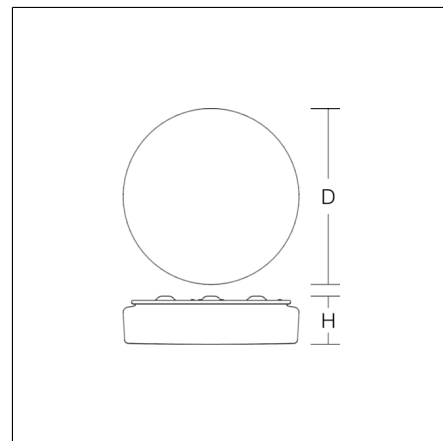
# FLAT POLYMERO KREIS

311619.002.5 | Ceiling and wall luminaires



Ceiling and wall luminaires  
4051859012870  
D 300, H 80

Ceiling mounting, Wall (surface)  
white



Decorative round surface-mounted luminaire. Base: metal, powder-coated. Diffuser made of non-yellowing plastic (PMMA), opal. Diffuser fastening: patented push system. Suitable for Ceiling mounting, Wall (surface).

## Product specifications

Diameter D	300 mm
Height H	80 mm
Weight	0.86 kg
Light source	LED
Colour temperature	4000 K
Rated luminous flux	1050 lm
System power	10 W
System efficiency	105 lm/W
Glare evaluation UGR (4H 8H)	19,1
Beam angle	down 128° up 180°
Rated life	50000 h (L80/B10)
Colour rendering index (CRI)	80
Colour tolerance	4
Photobiological safety according to EN 62471	Risk group 0
Driver	Converter
Control	on/off
Voltage	220 - 240 V / 0 Hz, 50 - 60 Hz
Luminaires on B10A fuse	8
Luminaires on B16A fuse	13
Luminaires on C10A fuse	14
Luminaires on C16A fuse	23
Inrush current / Inrush current duration	54 A / 250 µs
CIE Flux Code / CEN Flux Code	40 70 90 81 100
Type of protection	IP 40
Protection class	I
Filament test	650°C - 30 seconds
Impact resistance	IK03
Ambient temperature	25 °C
Conformity mark	CE

## Spareparts



08-311616.002  
Replacement diffuser