

**SKS M16X30 V2A (561 931)**



Figure without obligation

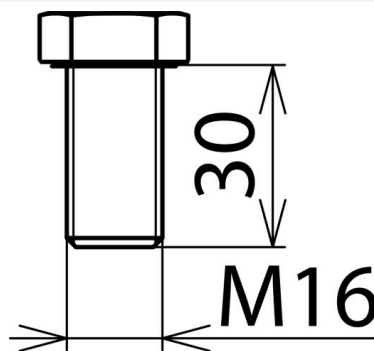


Figure without obligation

|                       |                            |
|-----------------------|----------------------------|
| <b>Type</b>           | <b>SKS M16X30 V2A</b>      |
| <b>Part No.</b>       | <b>561 931</b>             |
| Dimensions            | M16 x 30 mm                |
| Material              | StSt A2-70                 |
| Standard              | In accordance with DIN 933 |
| Weight                | 77 g                       |
| Customs tariff number | 73181575                   |
| GTIN                  | 4013364053311              |
| PU                    | 1 Stk                      |

We reserve the right to introduce changes in performance, configuration and technology, dimensions, weights and materials in the course of technical progress. The figures are shown without obligation.