

PRODUCT DATASHEET

DOT-it CLASSIC CLASSIC SI

DOT-it® | Little helpers



Areas of application

- For indoor use only
- Nightlight
- Wardrobes
- Kitchens

Product benefits

- Attractive and functional design
- Can easily be moved to where light is needed thanks to battery operation
- Economical operation due to low power consumption
- Accessories for flexible mounting options included

Product features

- ON/OFF via Touch DIM



TECHNICAL DATA**Electrical data**

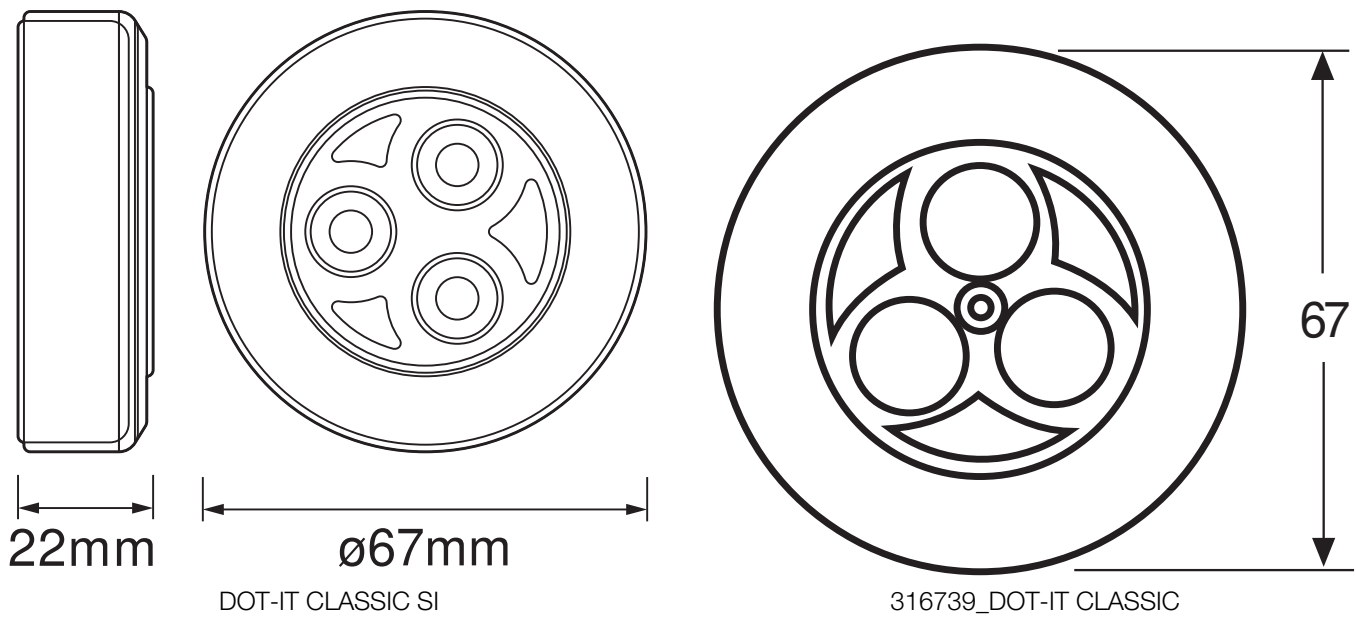
| | |
|---|---------|
| Nominal wattage | 0.23W |
| Nominal voltage | 4,5 V |
| Mains frequency | 0 Hz |
| Max. number of luminaires per miniature circuit breaker C10 | - |
| Protection class | III |
| Operating mode | Battery |

Photometrical data

| | |
|---------------------------|------------|
| Luminous flux | 10 lm |
| Luminous efficacy | 43 lm/W |
| Color temperature | 7000 K |
| Light color (designation) | Cool White |
| Color rendering index Ra | > 80 |
| Beam angle | 70 ° |

Dimensions & Weight

| | |
|----------------|----------|
| Diameter | 68.00 mm |
| Width | 67 mm |
| Height | 22.00 mm |
| Product weight | 83.00 g |



Materials & Colors

| | |
|-----------------|---------------------------------------|
| Product color | Silver |
| Housing color | Silver |
| Body material | Acrylonitrile butadiene styrene (ABS) |
| Mercury content | 0.0 mg |

Application & Mounting

| | |
|---------------------------|--------------|
| Ambient temperature range | -20...+30 °C |
| Type of protection | IP20 |
| Dimmable | No |
| Mounting type | Surface |
| Mounting location | Wall |
| Application environment | Indoor |
| Adjustable | No |
| With light source | Yes |

Lifespan

| | |
|---------------------------|-----------------------|
| Lifespan L70/B50 at 25 °C | 20000 h ¹⁾ |
|---------------------------|-----------------------|

¹⁾ t[h]: L70 / B50 @ 25 °C (Ta), t[h]: L80 / B10 @ 25 °C (Ta), t[h]: L90 / B10 @ 25 °C (Ta)

BATTERY

| | |
|------------------------------|----------|
| Type of Battery | Alkaline |
| Battery size [GMS] | AAA |
| Number of included batteries | 3 |
| Nominal voltage of battery | 1.5 V |

Certificates & Standards

| | |
|----------------------------------|-----------------|
| Standards | CE / UKCA |
| Replaceable light source (EPREL) | Not replaceable |


EQUIPMENT / ACCESSORIES

- 3 AAA batteries included
- Complete mounting and connecting accessories included

Safety advice

- This product is not a toy. It should not be left unattended in the hands of children or operated by children.
- Not designed as a replacement for conventional lighting in private household.
- Battery Warning: Keep out of reach for children. Swallowing can lead to chemical burns, perforation of soft tissue, and death. Severe burns can occur within 2 hours of ingestion. Seek medical attention immediately.
- If the battery compartment (if applicable) does not close securely, stop using the product and keep it away from children. If you think batteries might have been swallowed or placed inside any part of the body, seek immediate medical attention.
- Please avoid: Maximal ambient temperature: +35 °C. Replacement of a battery with an incorrect type that can defeat safeguard (for example, in the case of some lithium battery types). Altitude during operation: 2000 m. Disposal of a battery into fire or a hot oven, or mechanically crushing or cutting of a battery, that can result in an explosion.

DOWNLOAD DATA

| Documents and certificates | Document name |
|---|-----------------------|
|  Declarations of conformity | CE Declaration DOT-It |

LOGISTICAL DATA

| Product code | Packaging unit (Pieces/Unit) | Dimensions (length x width x height) | Gross weight | Volume |
|---------------|------------------------------|--------------------------------------|--------------|----------------------|
| 4058075227804 | Blister 1 | 31 mm x 140 mm x 120 mm | 92.00 g | 0.52 dm ³ |
| 4058075227811 | Shipping box 6 | 286 mm x 75 mm x 130 mm | 627.00 g | 2.79 dm ³ |

The mentioned product code describes the smallest quantity unit which can be ordered. One shipping unit can contain one or more single products.

When placing an order, for the quantity please enter single or multiples of a shipping unit.

DISCLAIMER

Subject to change without notice. Errors and omission excepted. Always make sure to use the most recent release.