

# Product Data Sheet

## GWR5175B30K

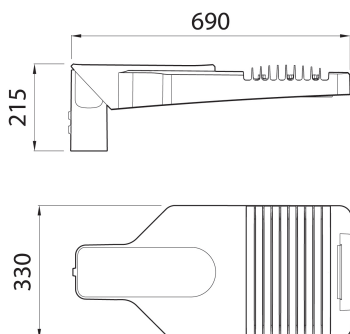
ROAD [5] Range



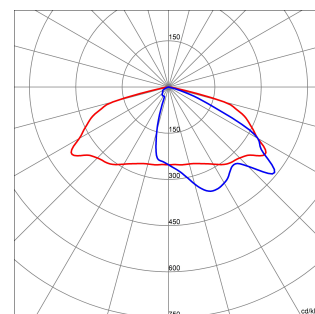
High-power LED streetlight with cover, frame, and pole attachment in EN AB 46100 die-cast aluminium with low copper content, with polyester powder coating. Suitable for installation both on top of the pole and offset, with 5° pitch adjustment. Opening and closing system with integrated front handle. Closure fabricated in tempered flat glass (thickness 4 mm). Cable input via PG13.5. Safety switch. Cable plate in PA6.6+PV. Printed Circuit Board (PCB) in metal core. Metallic PC optic system. Common mode surge protection up to 10 kV. Operational up to 50°C ambient temperature but with reduction of the supply current as indicated in the Instruction Manual.

| GENERAL INFORMATION                     |   | OPTIC AND ILLUMINATING FEATURES     |  |
|---|---|-------------------------------------|--|
| Context                                 | Street and parking lighting                       | Optic                               | HUGE   |
| Luminaire                               | LED Road Equipment                                | Unified Glare Rating                | G*4 - ULOR = 0                                   |
| Application                             | External  | Lumen output (lm)                   | 15000  |
| Unique digital code (Datamatrix)        | Currently not present                             | Efficacy (lm/W)                     | 118  |
| Colour                                  | Graphite grey                                     | Colour temperature                  | 3000 K   |
| Type of light source                    | LED   | Colour Rendering Index              | CRI>70   |
| System power                            | 127 W @ 0,7A                                      | Standard Deviation Colour Matching  | SDCM = 5   |
| LED Lifetime                            | L90B10(Tq25°C)>115.000h; L90B10 (Tq50°C)=115.000h | Photobiological Risk Class          | RG0  |
| Weight (kg)                             | 8.8   | Standard                            | EN 60598-2-3, EN 60598-1 IEC/TR 62778            |
| Warranty                                | 5 years   | ELETRICAL AND LIGHTING FEATURES     |  |
| Stocking temperature                    | -   | Supply voltage                      | 220 - 240 V                                      |
| Operating temperature                   | -25 +50 °C  | Rated frequency (Hz)                | 50 / 60  |
| MATERIALS                               |   | Driver failure rate                 | F10 = 100.000h Tq25°C/50.000h Tq50°C             |
| Body                                    | Die-cast aluminium                                | Driver                              | Included   |
| Shield type                             | 4mm thick flat tempered glass                     | Overvoltage protection              | DM 10KV / CM 10KV                                |
| Optic                                   | Silver PVD aluminium reflector                    | Control System                      | Bi-power with self-learning                      |
| Gasket                                  | Anti-aging silicone                               | INSTALLATION AND MAINTENANCE        |  |
| Locking Hook                            | Integrated front handle                           | Mounting and installation           | Pole Head - Outreach                             |
| External screw                          | Stainless steel                                   | Tilt                                | -20° ÷ +10° side bracket - -10° ÷ +20° pole head |
| Colour                                  | Powder coating                                    | Wiring                              | Isolating switch                                 |
| STANDARDS AND APPROVALS                 |   | Fixing                              | Pole Head - Outreach                             |
| Classification                          | -   | Light source replaceability         | By professional                                  |
| Device with reduced surface temperature | -   | Controlgear replaceability          | By professional                                  |
| DIN 18032-3 certification               | -   | Driver Box                          | Built-in   |
| IPEA                                    | -   | Maximum surface exposed to the wind | 0.19 m²  |
| Insulation class                        | II  |                                     |  |
| IP degree                               | IP66  |                                     |  |
| Mechanical resistance                   | IK08  |                                     |  |
| Glow Wire Test                          | -   |                                     |  |

### DIMENSIONAL



### PHOTOMETRIC DISTRIBUTION



### TECHNICAL SYMBOLOGY



IP  
IP66

IK  
IK08

GWT  
-

# Product Data Sheet

## GWR5175B30K

ROAD [5] Range

### STANDARDS/APPROVALS

