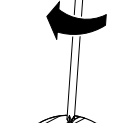
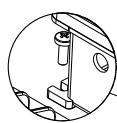
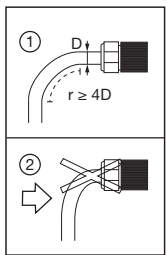


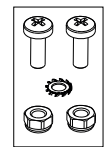
IP66



+50°C
-30°C



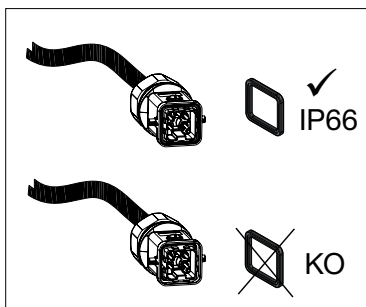
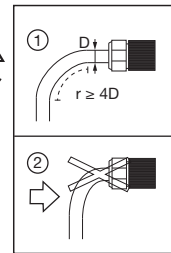
5 Nm



M1

M2

M3



✓ IP66

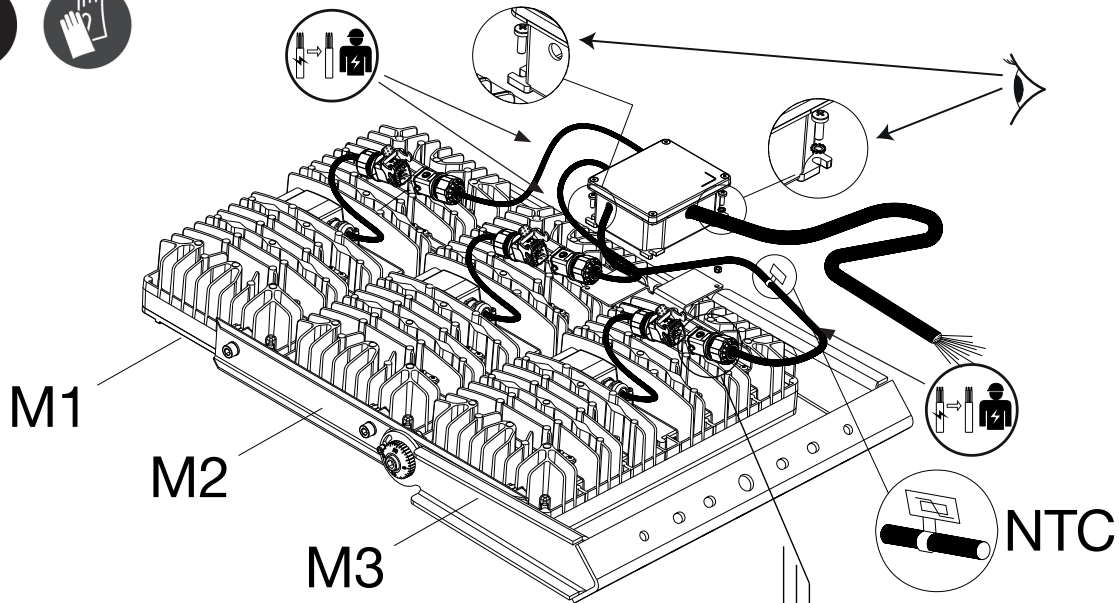
✗ KO

1

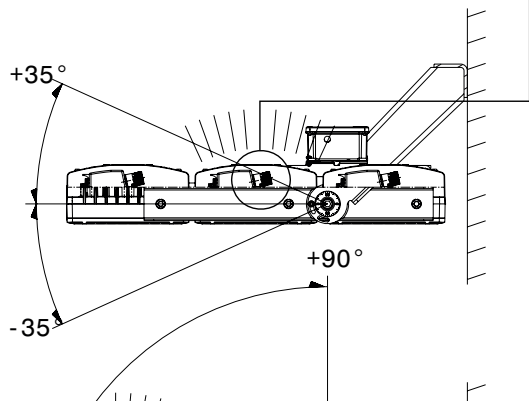
2



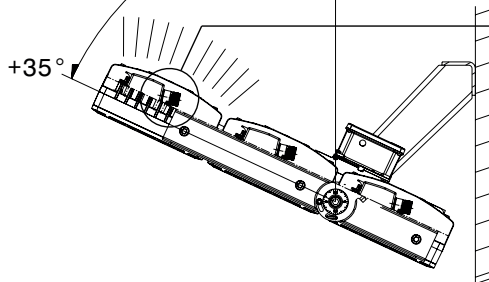
$t_a +50^{\circ}\text{C}$



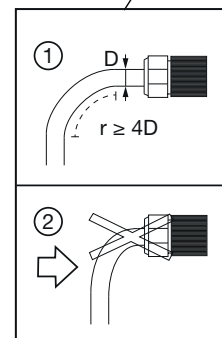
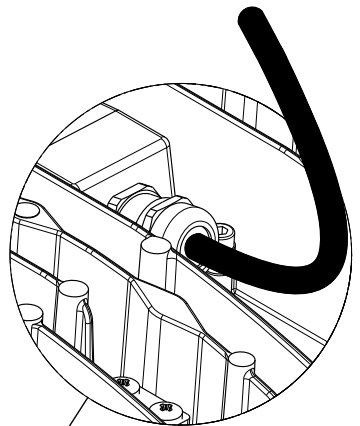
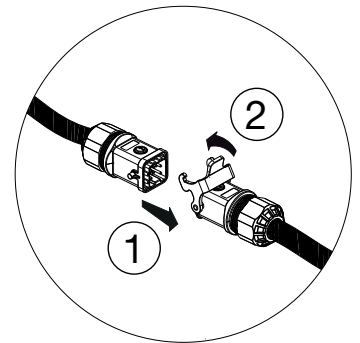
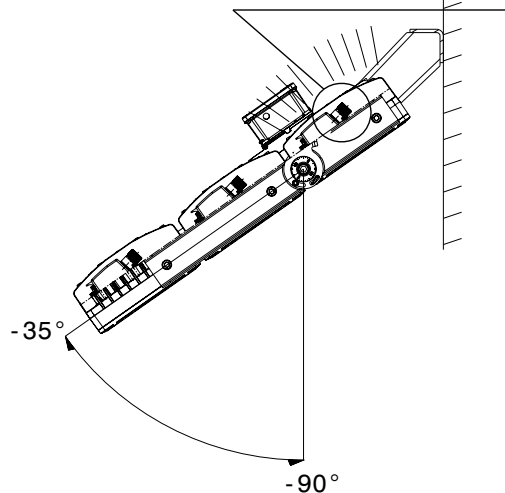
NTC -> M2



NTC -> M1

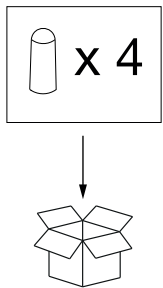
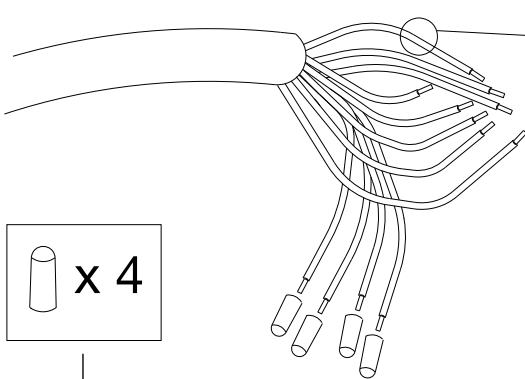
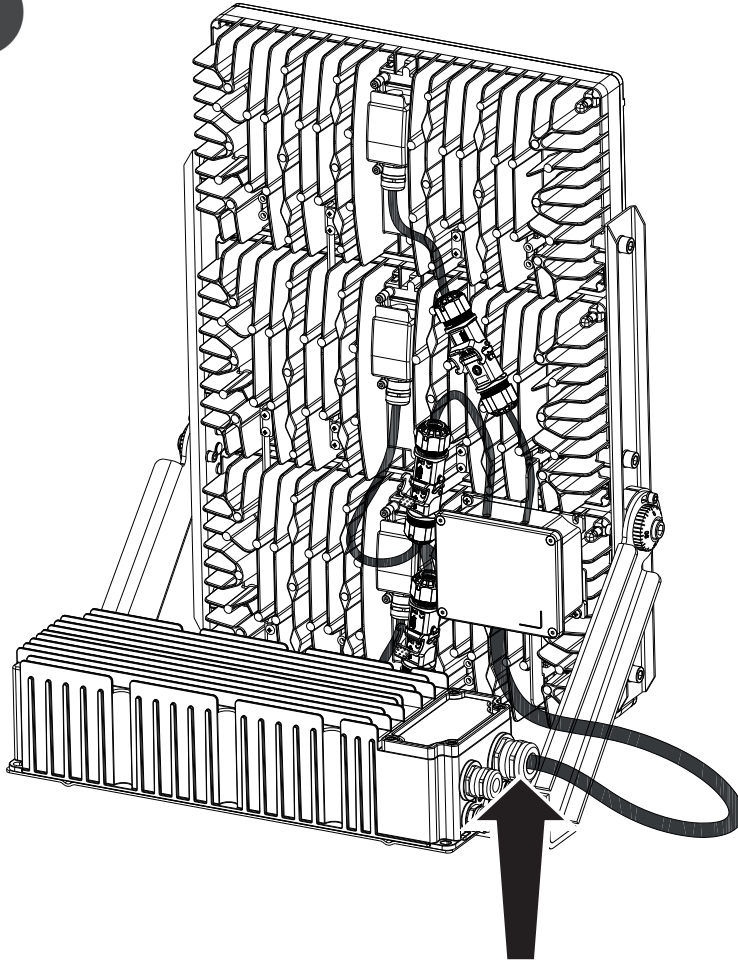


NTC -> M3

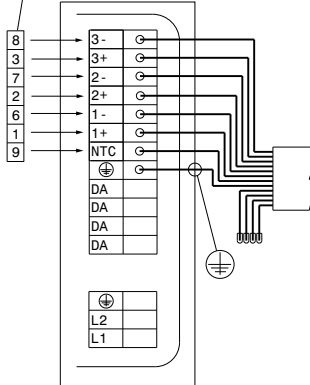




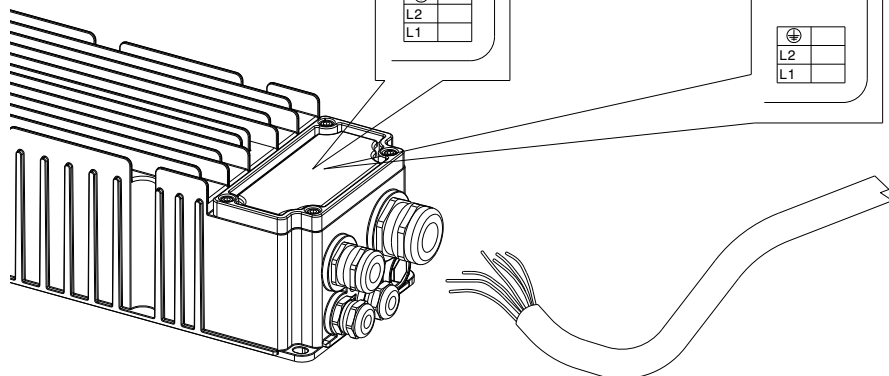
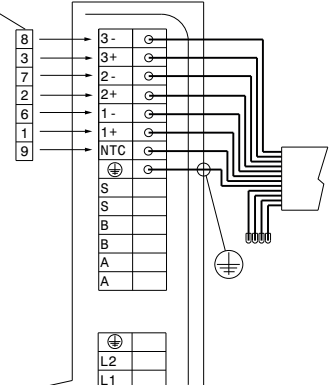
ta +50°C



GWP20031
DALI

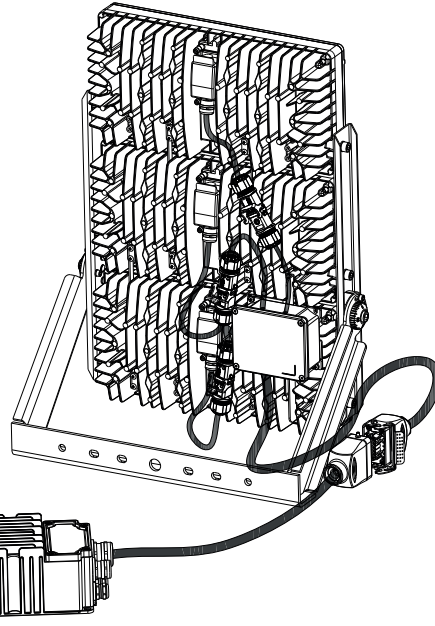


GWP20032
DMX

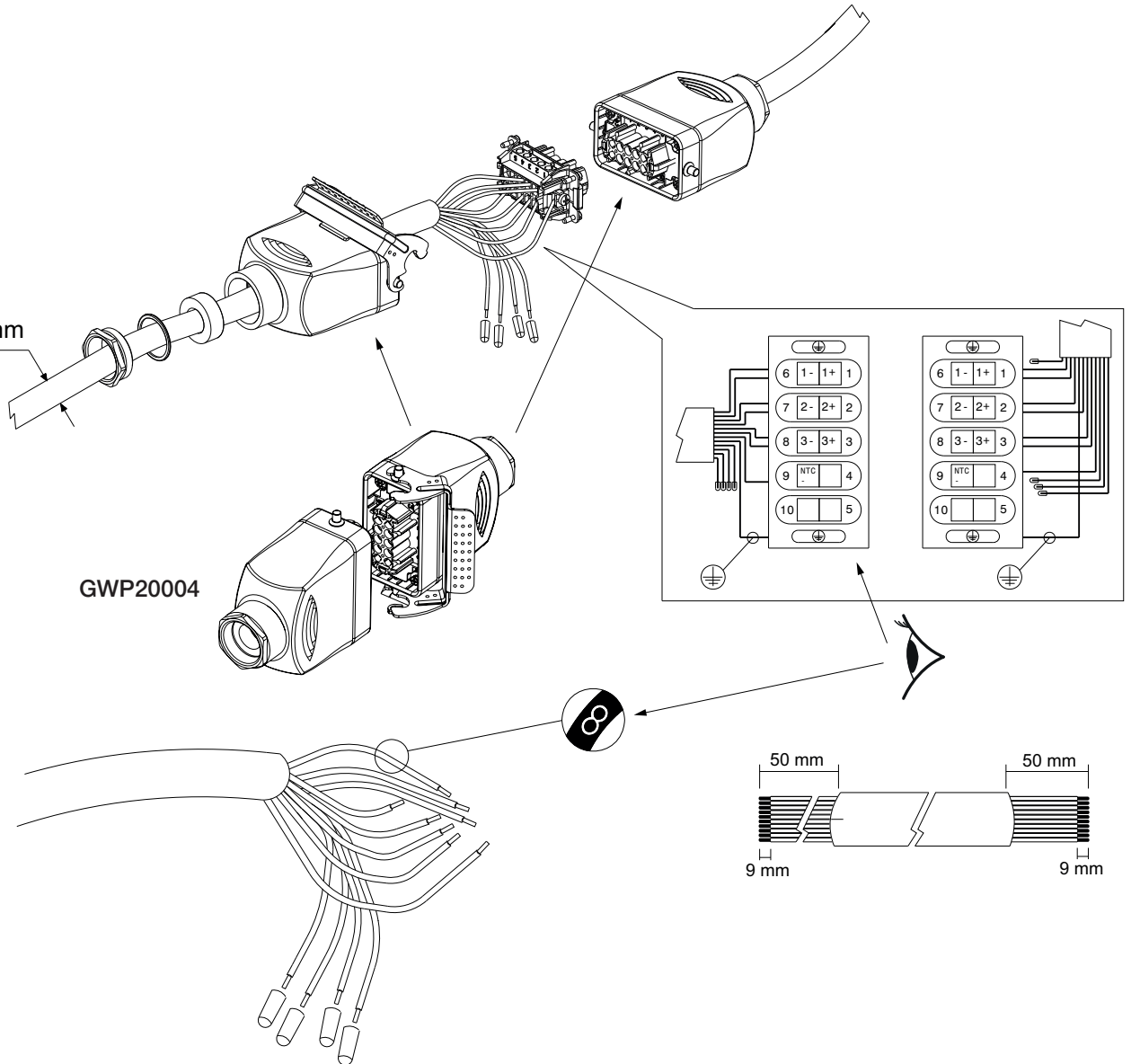




$t_a +40^{\circ}\text{C}$

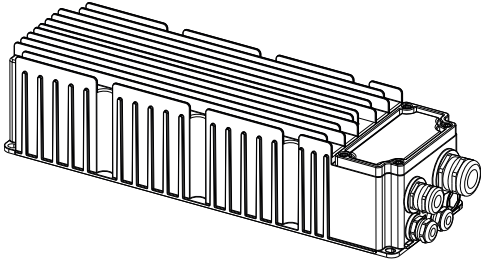


$\text{Ø}16 \pm 25 \text{ mm}$

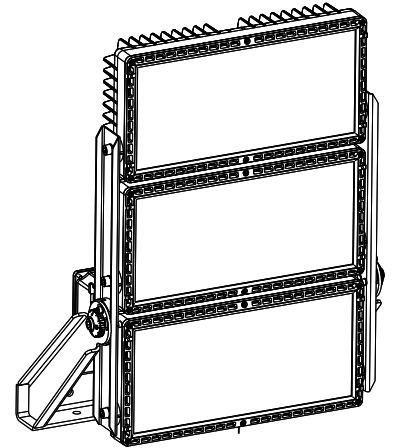
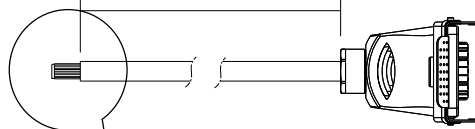




ta +40°C

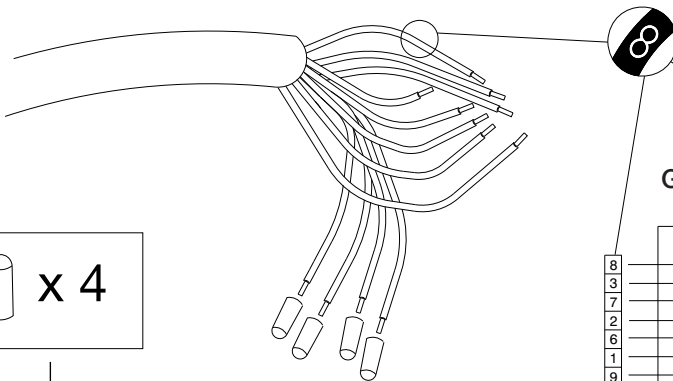


Max 50 m

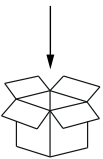


50 mm

9 mm

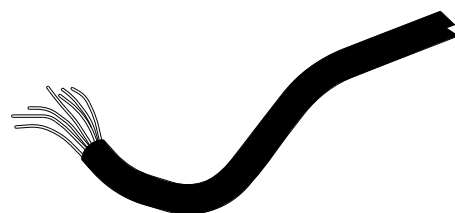
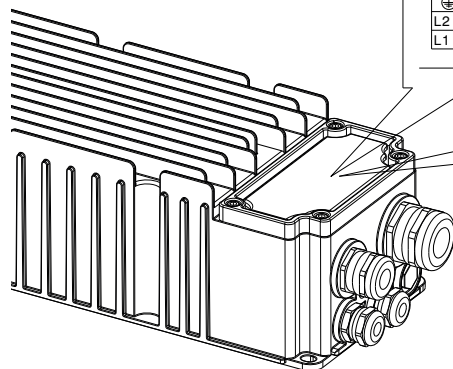
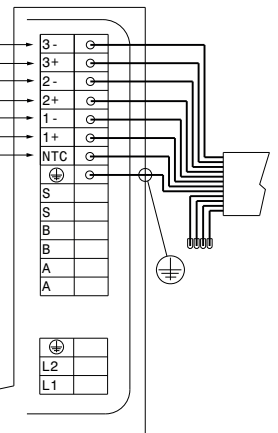
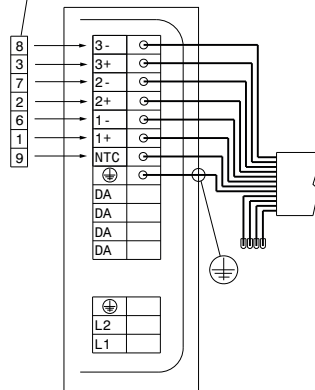


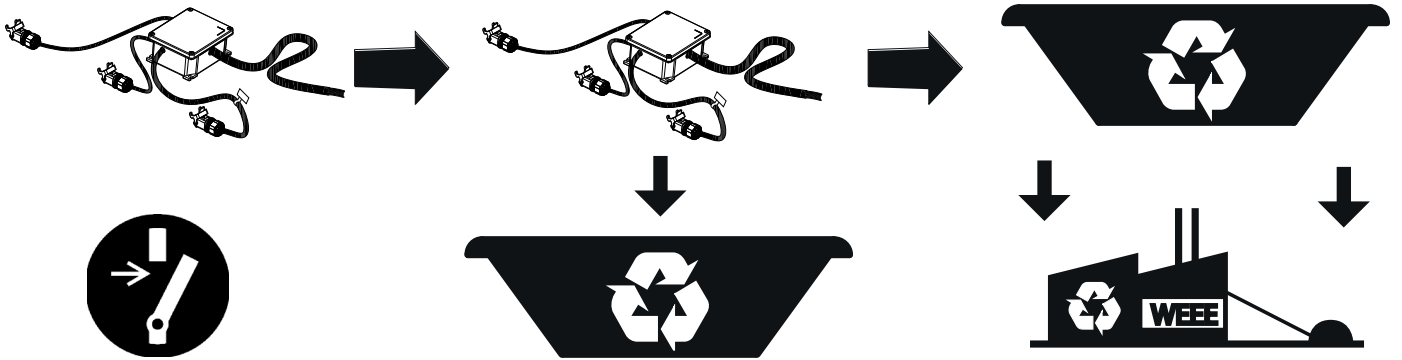
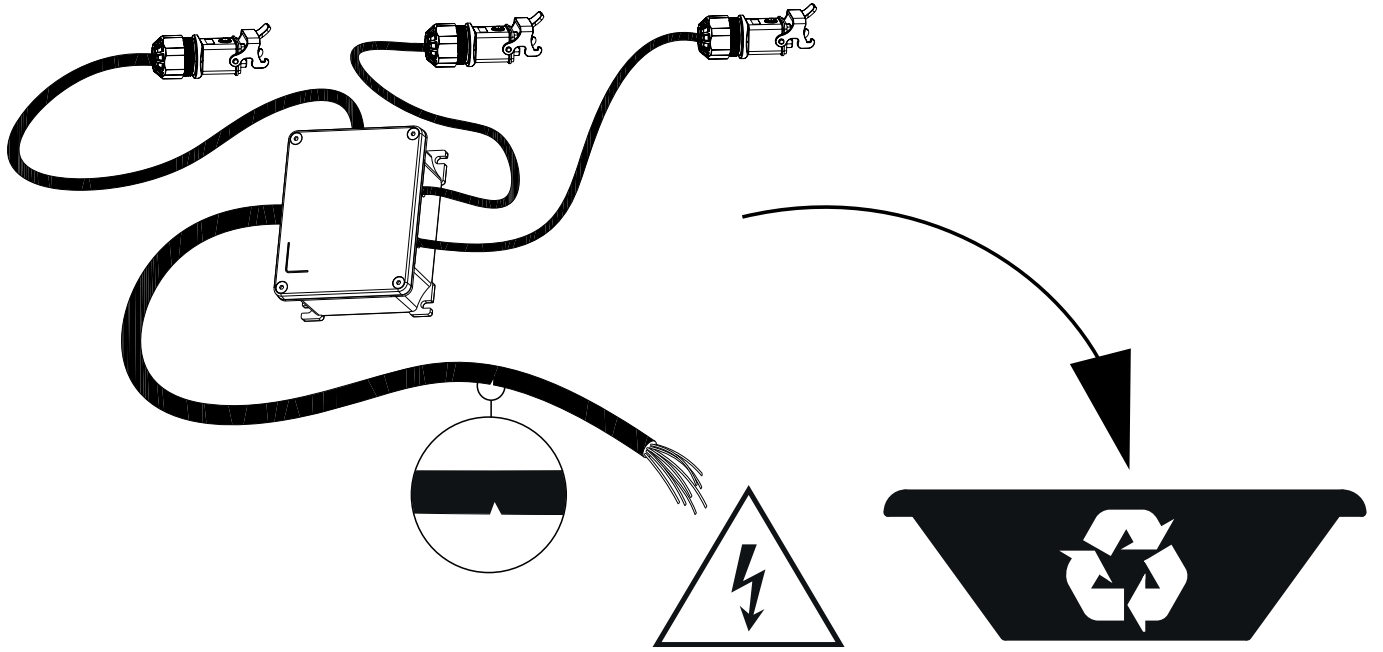
x 4

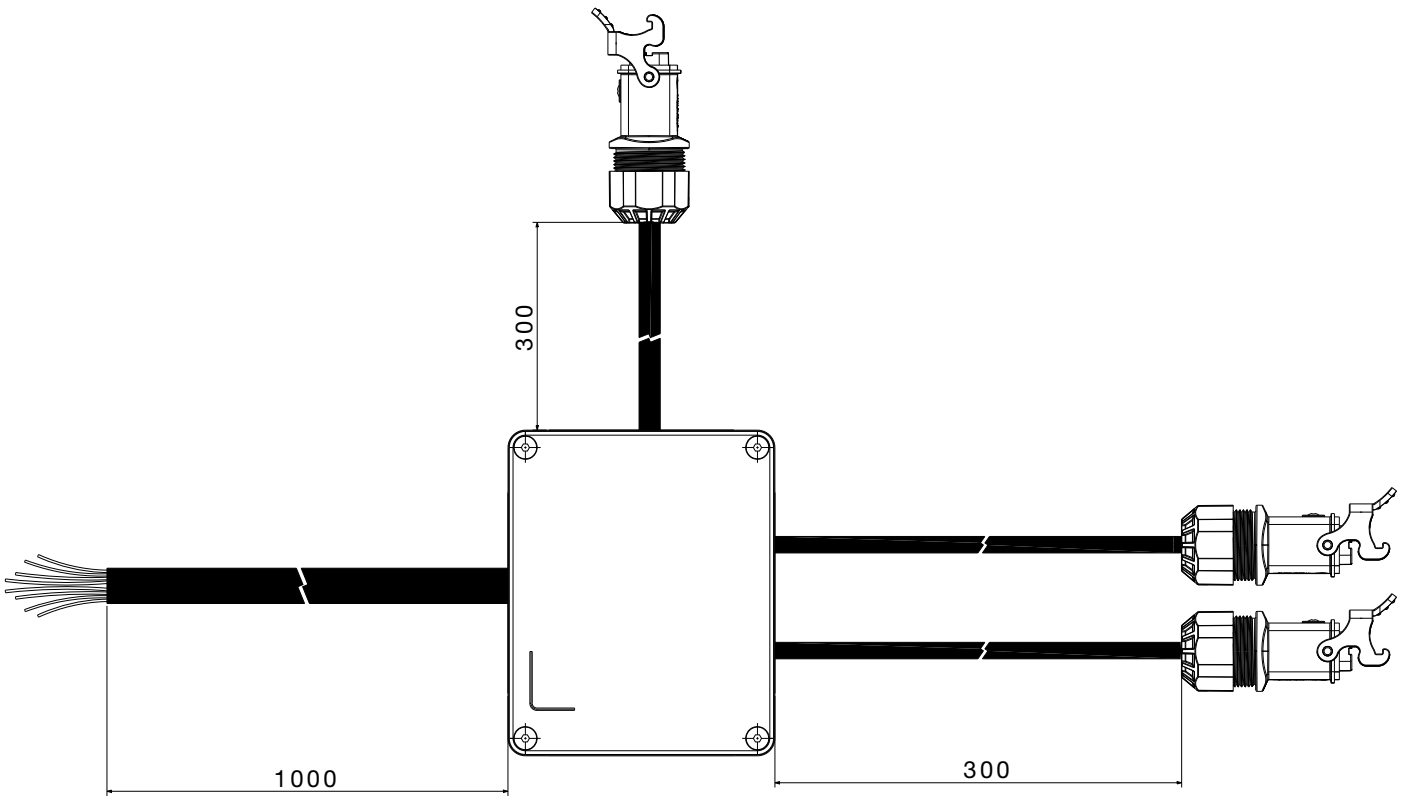


GWP20031
DALI

GWP20032
DMX







Punto di contatto indicato in adempimento ai fini delle direttive e regolamenti UE applicabili:

Contact details according to the relevant European Directives and Regulations:

GEWISS S.p.A. Via A.Volta, 1 IT-24069 Cenate Sotto (BG) Italy tel: +39 035 946 111 E-mail: qualitymarks@gewiss.com

According to applicable UK regulations, the company responsible for placing the goods in UK market is:

GEWISS UK LTD - Unity House, Compass Point Business Park, 9 Stocks Bridge Way, ST IVES
Cambridgeshire, PE27 5JL, United Kingdom tel: +44 1954 712757 E-mail: gewiss-uk@gewiss.com



+39 035 946 11

8:30 - 12:30 / 14:00 - 18:00

lunedì - venerdì / monday - friday



www.gewiss.com

