

52005480	<b>DATA SHEET</b>	
Valid from: 03.07.2018	<b>SKINDICHT® SVF</b>	

The SKINDICHT® SVF is a flat cable gland made of brass with hexagonal body. The special feature of this flat cable gland is the design of the sealing lips. The lateral sealing lips fit automatically around various cable dimensions, so that flat cables of different outer dimensions can be sealed with only one seal for each PG-size. With suitable matching it is even possible to fit two flat cables with one gland.



### Components:

Gland body	Brass, nickel-plated
Pressure screw	Brass, nickel-plated
Flat cable seal	CR
Pressure washers	Steel, zinc-plated

### Technical features:

Connecting thread	PG16 up to PG48 acc. to DIN 40430
Protection class	IP54 acc. to EN 60529
Temperature range	-20 °C up to +100 °C

### Norm references:

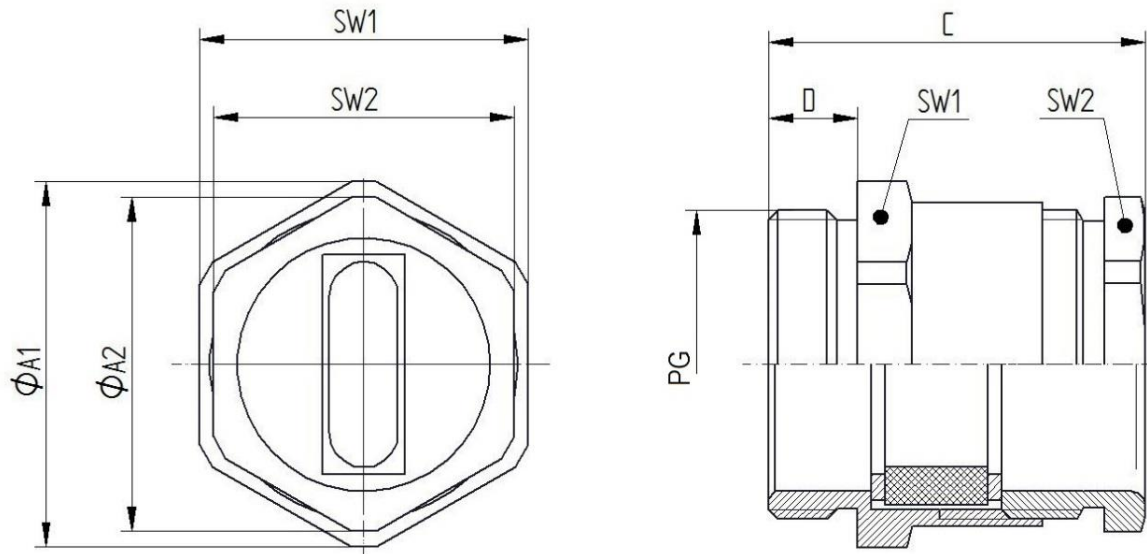


### Note:

For suitable flat cables see ÖLFLEX® LIFT F for indoor applications or ÖLFLEX® CRANE F for outdoor applications. Counter nut to be used SKINDICHT® SM.

Creator: M. Jurak /PDP Released: DAMU1/PDP	Document: DB52005480EN Version: 04	Page 1 of 2
-----------------------------------------------	---------------------------------------	-------------

52005480	<b>DATA SHEET</b>	
Valid from: 03.07.2018	<b>SKINDICHT® SVF</b>	



PG	SW1 [mm]	SW2 [mm]	Ø A1 [mm]	Ø A2 [mm]	C [mm]	D [mm]	Flat cable width [mm]		Cable thickness [mm]		Article No.
							min.	max.	min.	max.	
PG16	24	22	26,7	24,4	27,5	6,5	-	16	-	5	52005480
PG16	24	22	26,7	24,4	36	15	-	16	-	5	52024508
PG21	30	28	33,5	31,2	30	7	9	21	3	8	52005490
PG21	30	28	33,5	31,2	38	15	9	21	3	8	52024511
PG29	40	37	43,5	41	31,5	8	14	30	4	11,5	52005500
PG29	40	37	43,5	41	38,5	15	14	30	4	11,5	52024512
PG36	50	47	54	50,5	36	9	24	40	4	11,5	52005510
PG36	50	47	54	50,5	42	15	24	40	4	11,5	52024513
PG42	57	54	61	59	40	10	29	45	5	12	52005520
PG42	57	54	61	59	45	15	29	45	5	12	52024514
PG48	64	60	69	65	41,5	10	34	50	5	12	52005530
PG48	64	60	69	65	46,5	15	34	50	5	12	52024510

For more information please see our current catalogue. Please do not hesitate to contact our laboratory if there are any questions regarding resistance against aggressive agents and special oil.

Creator: M. Jurak /PDP Released: DAMU1/PDP	Document: DB52005480EN Version: 04	Page 2 of 2
-----------------------------------------------	---------------------------------------	-------------