

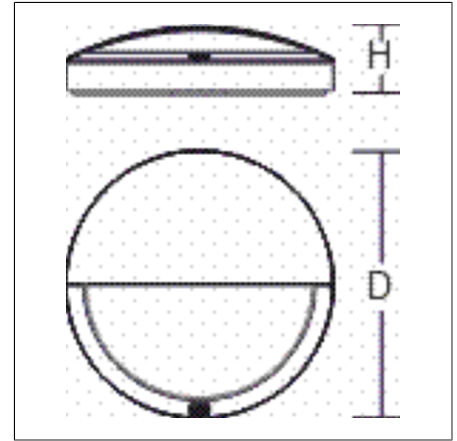
ROUNDED

582108.0031.19 | Wall luminaires



Wall luminaires
4051859774952
D 300, H 77

Wall (surface)
anthracite metallic (DB703)



Decorative round LED surface-mounted luminaire for indoor and outdoor use. Base and housing made of corrosion resistant pressure die-cast aluminium, seawater resistant powder-coated. Standard Gore™ Protective Vents diaphragm valve to avoid condensation. Diffuser made of opal plastic (polycarbonate); with diffuser fixing. Bezel ring with bayonet fixing. Uniform lighting achieved by the use of LED panel boards. Very easy installation thanks to plug & play connection. Drill hole deviations can be compensated to achieve precise positioning. The large connection compartment on the back for convenient connections is also ideal for through wiring. MultiLumen: 4 steps adjustable luminous flux. Factory setting is the lowest luminous flux. MultiColour: Colour temperature adjustable via switching element for 3000 K (factory setting) and 4000 K. With integrated HF movement sensor and light sensor. Functional parameters of the motion detector (wall mounting up to 2.5 m): HF detector 5.8 GHz. Detection angle 30°-150°. Detection range up to 6 m radial, depending on mounting situation and diffuser. Hold time, daylight threshold and sensitivity adjustable via dip switch. As master luminaire switchable up to 400 W (resistive load), 300 VA (LED).

Product specifications

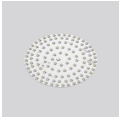
Diameter D	300 mm
Height H	77 mm
Weight	2.04 kg
Light source	LED
Colour temperature	3000 K 4000 K
Rated luminous flux	3000 K: 220 lm 560 lm
	4000 K: 220 lm 560 lm
System power	3000 K: 4.5 W 10 W
	4000 K: 4.5 W 10 W
System efficiency	3000 K: 49 lm/W 56 lm/W
	4000 K: 49 lm/W 56 lm/W
Glare evaluation UGR (4H 8H)	3000 K: 27,5 30,8
	4000 K: 27,5 30,8
Beam angle	down 90°/79°/0°/79° up 90°/90°/0°/90°
Rated life	50000 h (L90/B50)
Colour rendering index (CRI)	80
Colour tolerance	3
Photobiological safety according to EN 62471	Risk group 1
Driver	Converter
Control	Sensor
Voltage	230 V / 50 Hz, 60 Hz
Inrush current / Inrush current duration	5 A / 150 µs
CIE Flux Code / CEN Flux Code	20 46 74 62 100
Type of protection	IP 66 ceiling mounting IP 66 wall mounting
Protection class	I
Filament test	850 °C
Impact resistance	IK07
Ambient temperature	-20 °C ... + 45 °C
Safety marks	D-mark
Conformity mark	CE, EAC

ROUNDED

582108.0031.19 | Wall luminaires



Spareparts



982971.002
Replacement LED module

982968.002
Replacement diffuser