

# NH fuse-links gG 500VAC

top indicator/live gripping-lugs size 4, 4a

## LOW VOLTAGE IEC FUSES

### IEC NH FUSE-LINKS



The NH system is classified among plug-in fuse systems and is composed of:

- fuse-base (possibly including terminal covers and phase barriers)
- fuse-link with blade contact
- fuse-link replacement device (LV HRC fuse puller)

Since the design of this system cannot guarantee non-interchangeability of rated current it must be handled by a qualified professional.

Type “gG” NH fuse-links are full range breaking capacity fuse-links and are used to protect cables and equipment. They can interrupt any current surge, from the lowest fusing current up to their breaking capacity, and so can be used alone as protection. They also protect electrical devices and industrial set-ups from the electrodynamic effects of very high short-circuit currents.

## TECHNICAL DATA OVERVIEW

Voltage AC	500 VAC
Voltage DC	250 VDC
Ampere Range (A)	400 ... 1600 A
Size per Standard	4, 4a
Speed/Characteristic	gG
I.R. AC (IEC)	120 kA
I.R. DC (IEC)	70 kA
Body Material	ceramic
Contact Materials	copper, silver-plated

## FEATURES & BENEFITS

- Dimensions in accordance with DIN 43 620
- Live tags
- Top indicator
- 0% cadmium

## APPLICATIONS

- gG: General purpose (protection of cables and LV-networks)

## STANDARDS

- IEC/EN 60269-1 and -2
- VDE 0636 Part 201



# NH fuse-links gG 500VAC

top indicator/live gripping-lugs size 4, 4a

## PRODUCT RANGE



NH4GG50V1250-8

### Size 4 gG 500VAC top indicator

Catalog number	Item number	Rated voltage AC (IEC)	Rated voltage DC (IEC)	Rated current I <sub>n</sub>	Power dissipation at I <sub>n</sub>	Width	Package	Weight
NH4GG50V630-8	X1034514	500 V	250 V	630 A	38 W	100 mm	1	2.59 kg
NH4GG50V800-8	Y1034515	500 V	250 V	800 A	56 W	100 mm	1	2.59 kg
NH4GG50V1000-8	Z1034516	500 V	250 V	1000 A	65 W	100 mm	1	2.59 kg
NH4GG50V1250-8	A1034517	500 V	250 V	1250 A	61 W	100 mm	1	2.59 kg



NH4AGG50V1600-8

### Size 4a gG 500VAC top indicator

Catalog number	Item number	Rated voltage AC (IEC)	Rated voltage DC (IEC)	Rated current I <sub>n</sub>	Power dissipation at I <sub>n</sub>	Width	Package	Weight
NH4AGG50V400-8	B1034518	500 V	250 V	400 A	31 W	98 mm	1	2.59 kg
NH4AGG50V500-8	C1034519	500 V	250 V	500 A	45 W	98 mm	1	2.59 kg
NH4AGG50V630-8	D1034520	500 V	250 V	630 A	47 W	98 mm	1	2.59 kg
NH4AGG50V800-8	F1034522	500 V	250 V	800 A	67 W	98 mm	1	2.59 kg
NH4AGG50V1000-8	H1034524	500 V	250 V	1000 A	69 W	98 mm	1	2.59 kg
NH4AGG50V1250-8	J1034525	500 V	250 V	1250 A	84 W	98 mm	1	2.59 kg
NH4AGG50V1600-8	K1034526	500 V	250 V	1600 A	106 W	98 mm	1	2.59 kg

## TECHNICAL DATA

	size 4	size 4a
Size	4	4a
Rated current	630 ... 1250 A	400 ... 1600 A
Rated breaking capacity AC	120 kA	120 kA
Rated voltage AC	500 V	500 V
Rated voltage DC	250 V	250 V
Indication System	top indicator	top indicator
Width	100 mm	100 mm

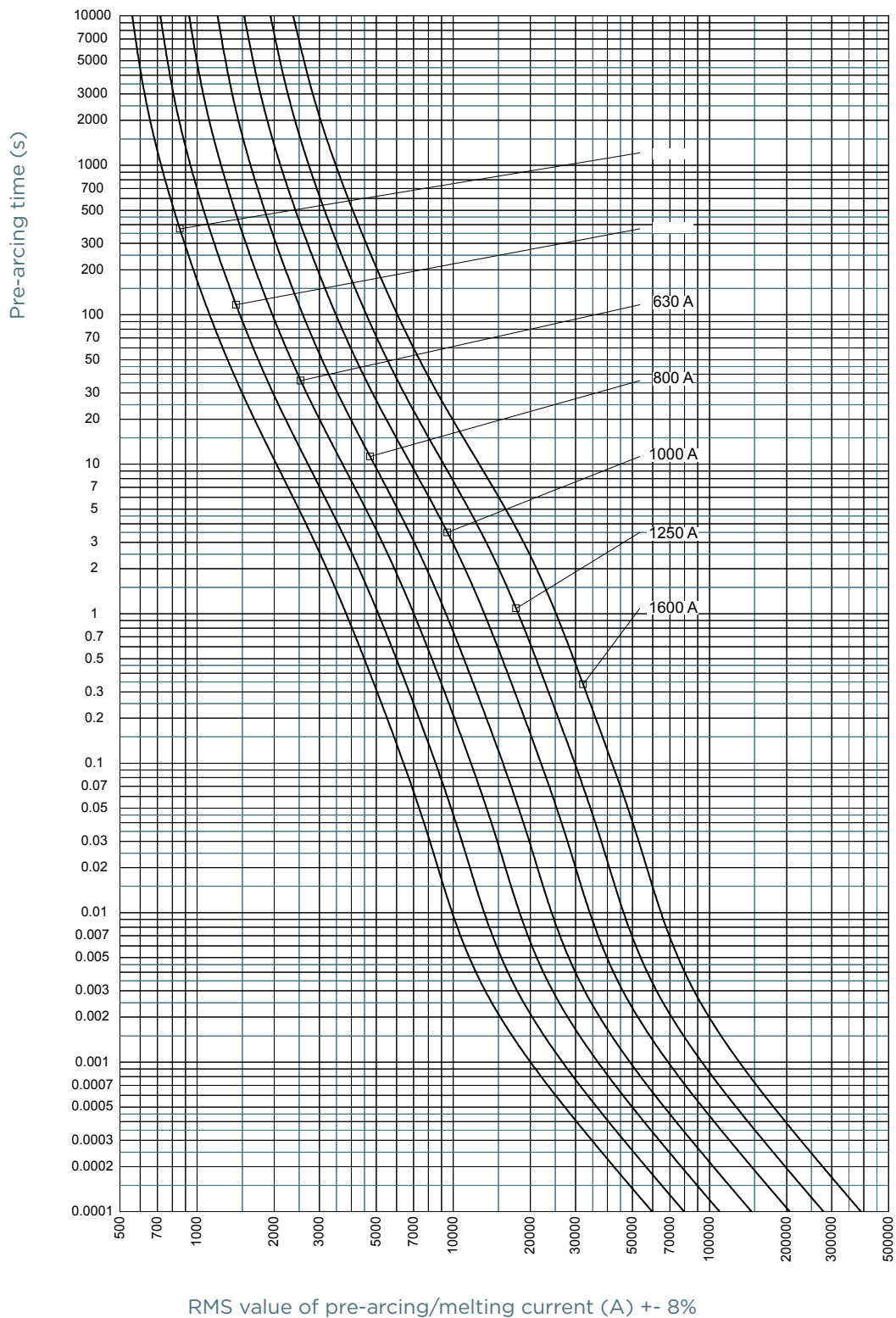
# NH fuse-links gG 500VAC

top indicator/live gripping-lugs size 4, 4a

## TIME CURRENT CHARACTERISTIC CURVES

Size 4, 630-1250A

Size 4a, 400-1600A



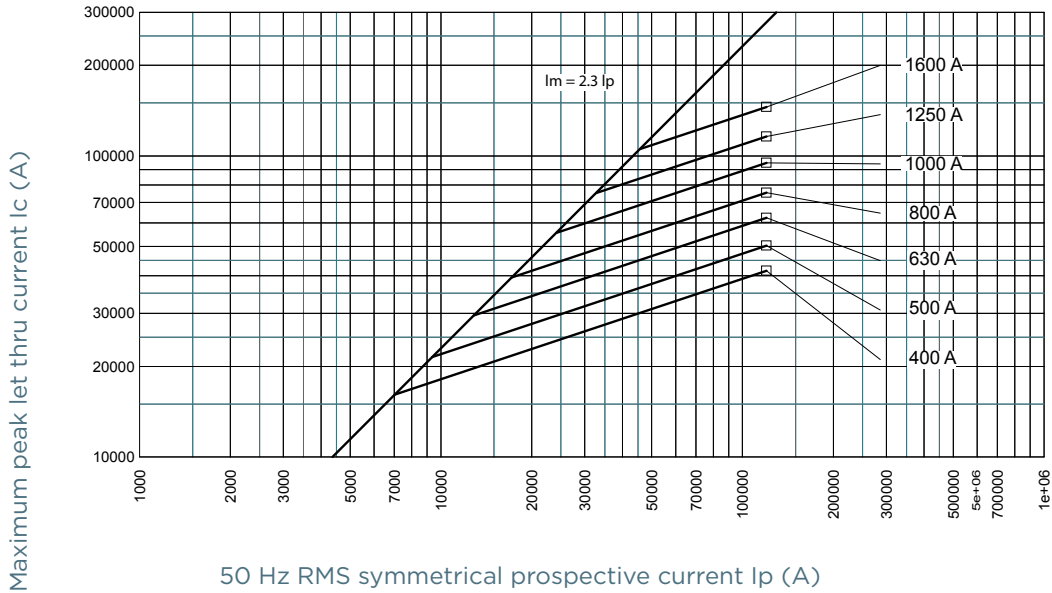
# NH fuse-links gG 500VAC

top indicator/live gripping-lugs size 4, 4a

## CUT-OFF CURRENT CHARACTERISTIC

Size 4, 630-1250A

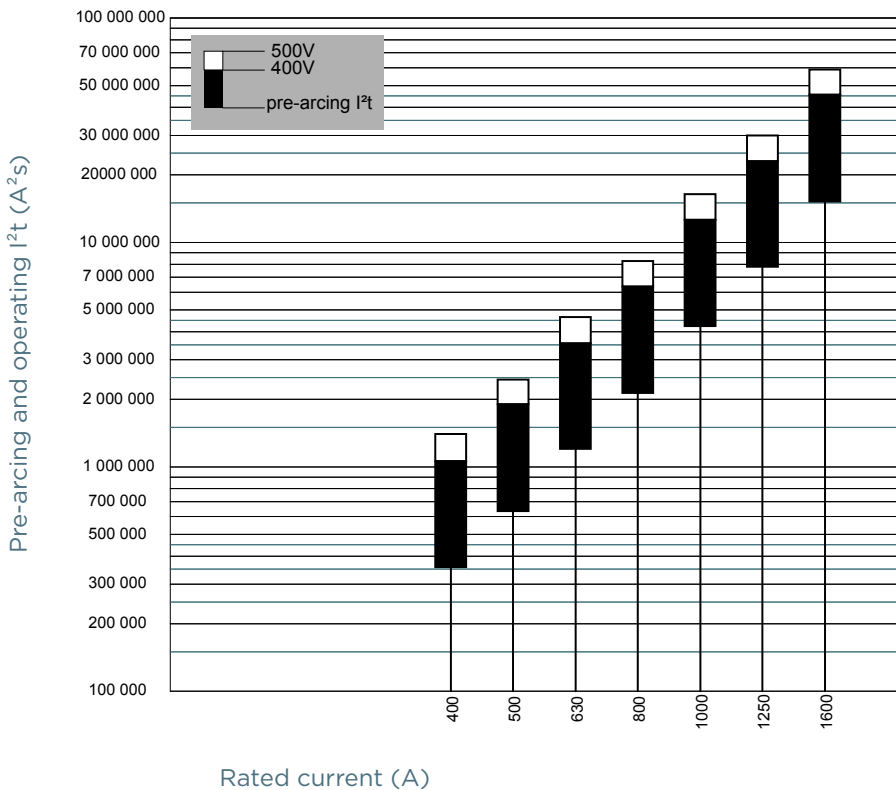
Size 4a, 400-1600A



## PRE-ARCING AND OPERATING $I^2t$ CHARACTERISTICS

Size 4, 630-1250A

Size 4a, 400-1600A

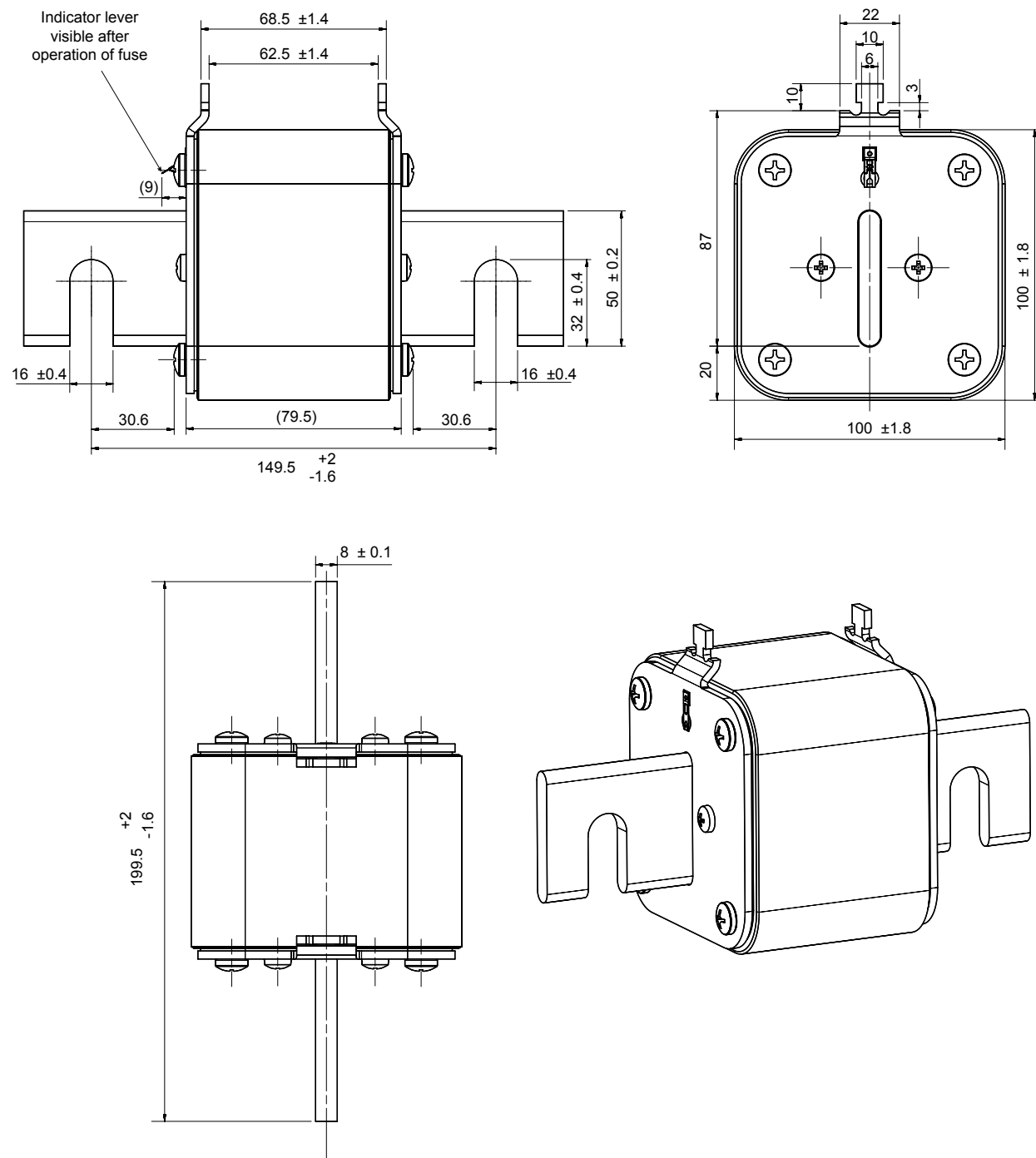


# NH fuse-links gG 500VAC

top indicator/live gripping-lugs size 4, 4a

## DIMENSIONS

### Size 4 with top indicator



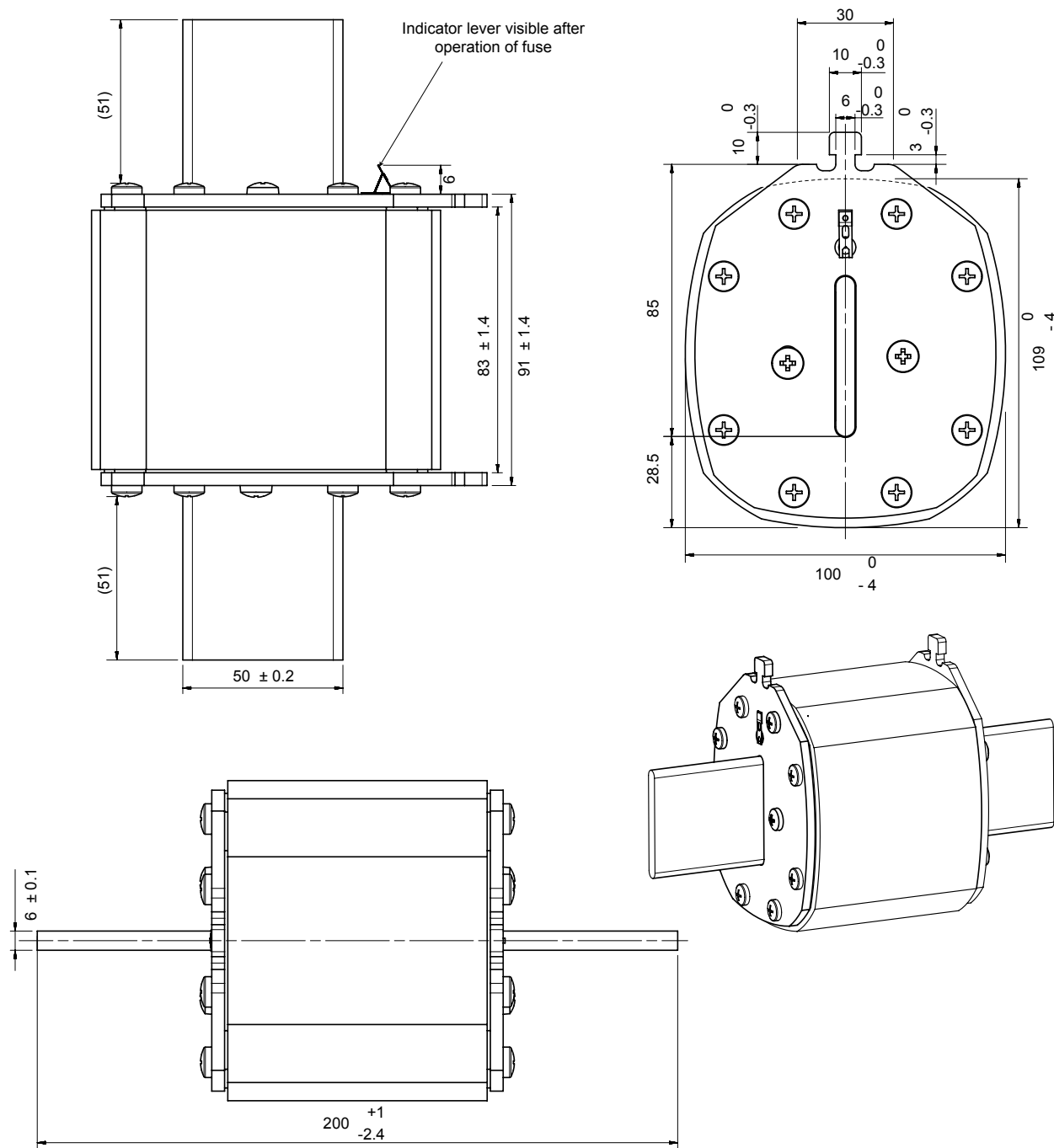
Dimensions in mm

# NH fuse-links gG 500VAC

top indicator/live gripping-lugs size 4, 4a

## DIMENSIONS

### Size 4a with top indicator



Dimensions in mm