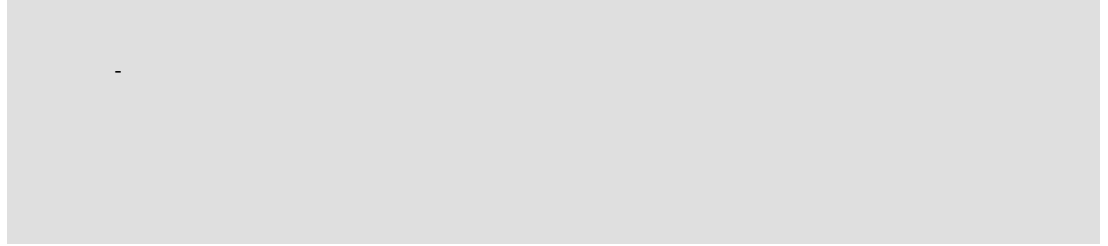


# Product Data Sheet

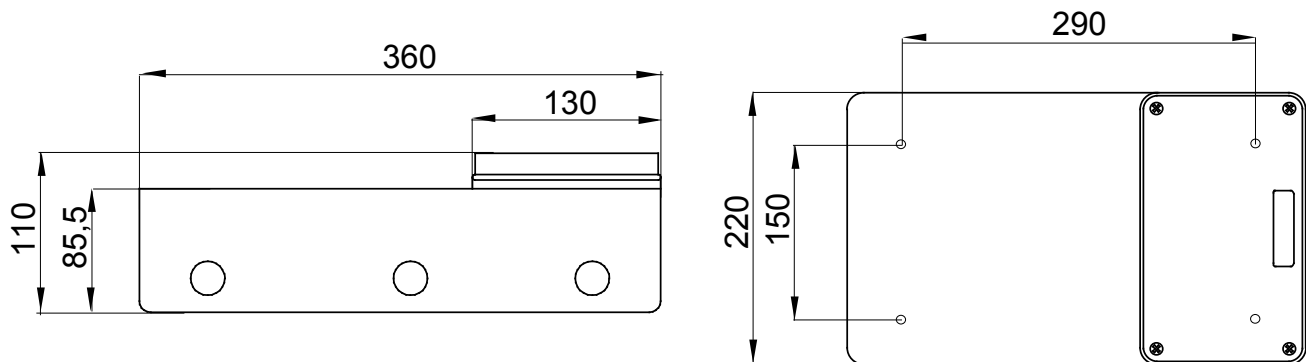
## GW66691

IB Range



|                            |        |                                  |         |
|----------------------------|--------|----------------------------------|---------|
| Top entries                | 4xØ 23 | Glow Wire Test                   | 650 °C  |
| Houseable interloc. socket | 2      | IP degree                        | IP65    |
| Mechanical resistance      | IK08   | Side entries                     | 4xØ 23  |
| Bottom entries             | 1xØ 29 | Houseable IB socket-outlets      | 16/32 A |
| Electrocod                 | 2221   | Minimum installation temperature | -25°C   |

### DIMENSIONAL



### TECHNICAL SYMBOLOGY

**GWT**

650 °C

**IP**

IP65

**IK**

IK08

### STANDARDS/APPROVALS

