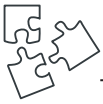
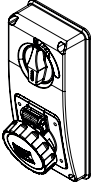
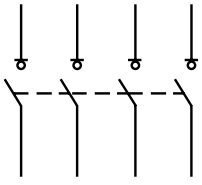
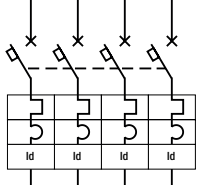

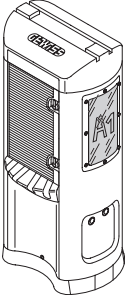


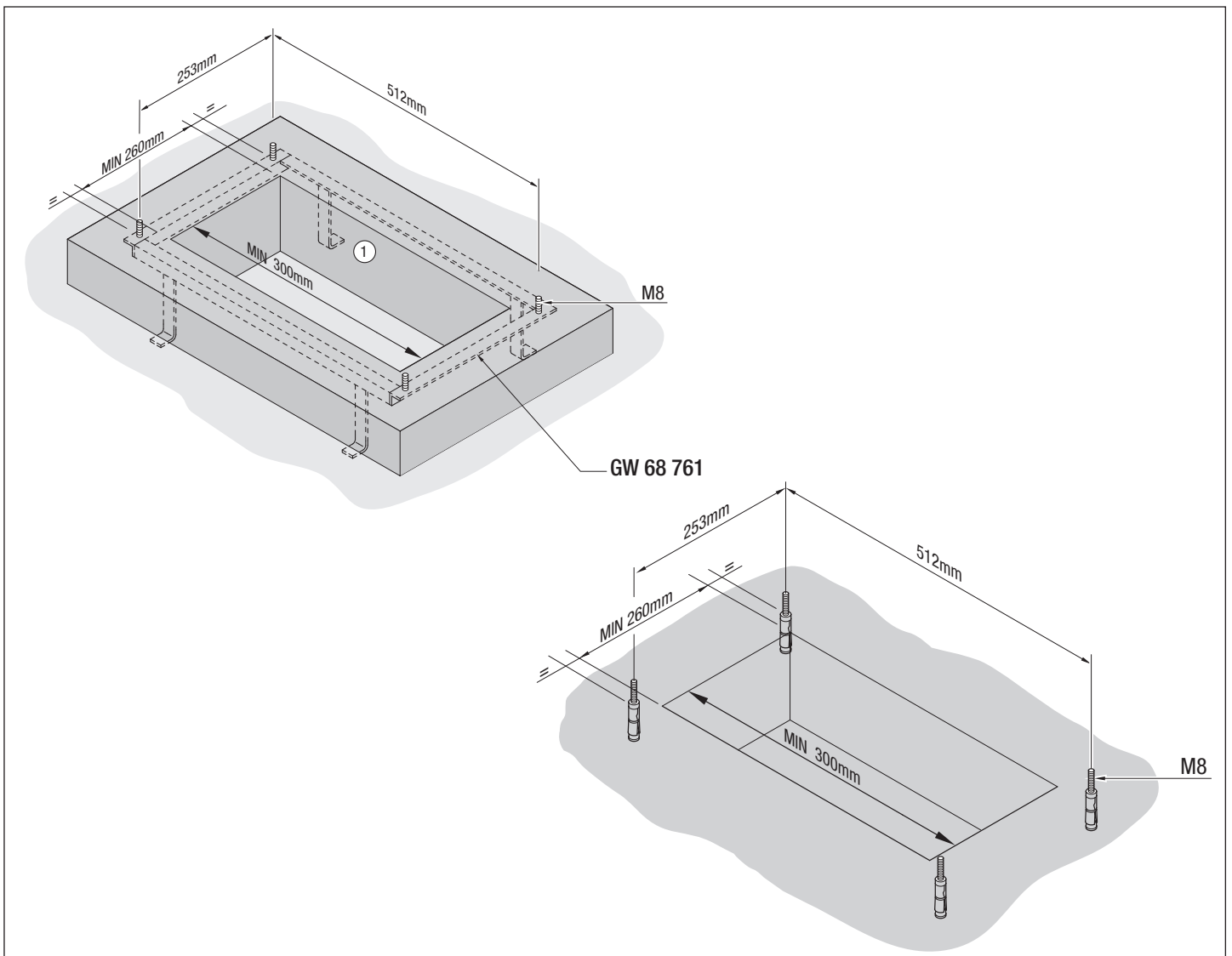
GW 68 831 A/W

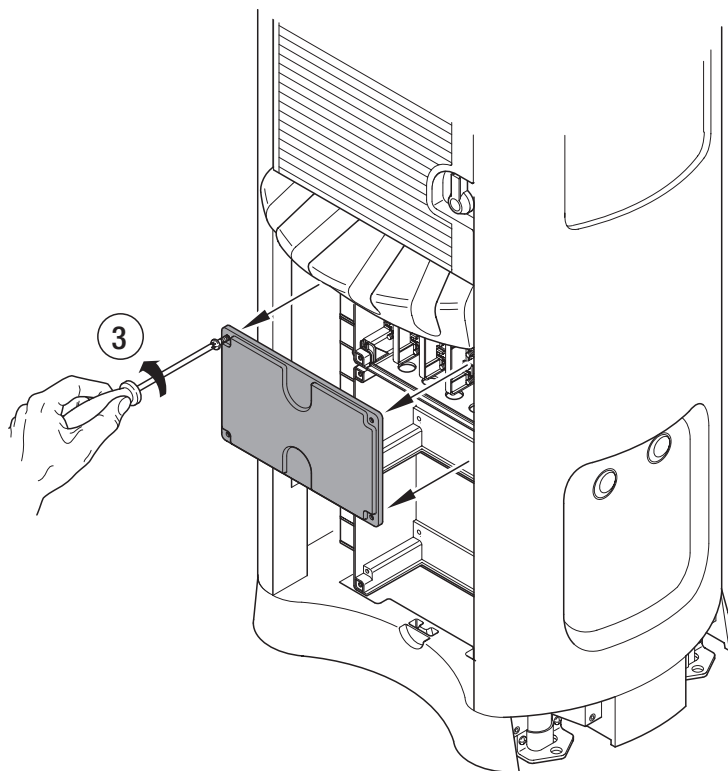
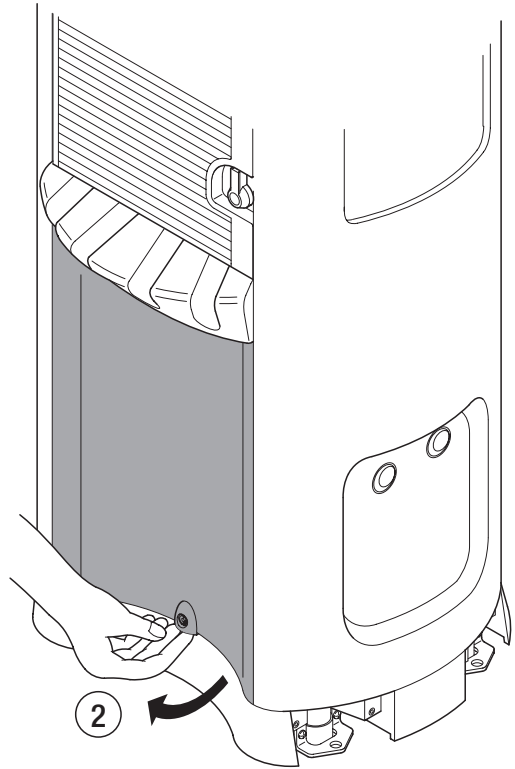
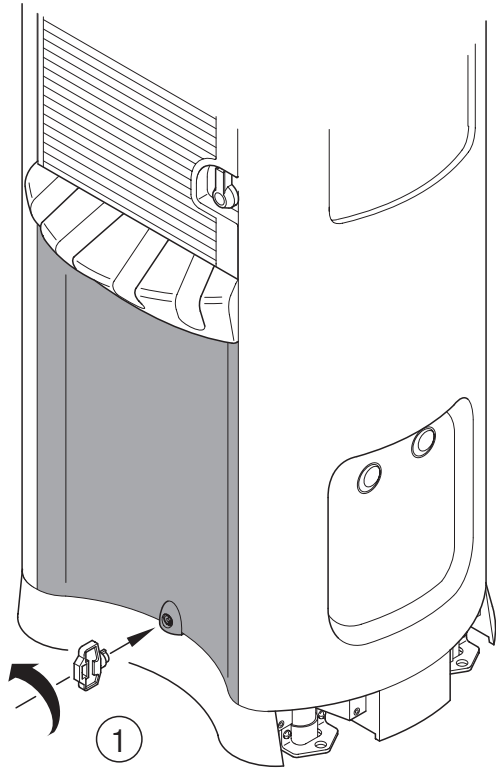
GW 68 832 A/W

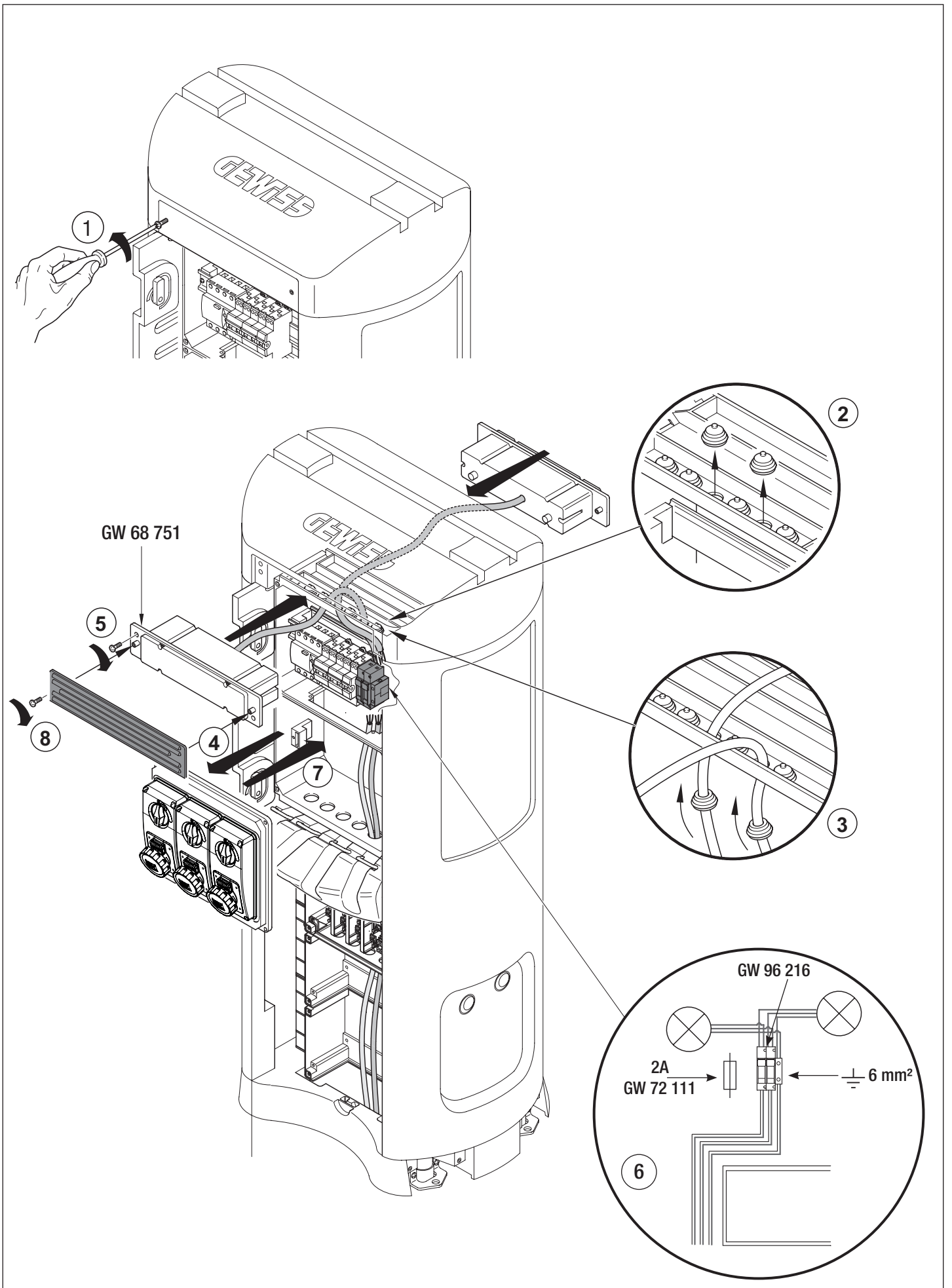
GW 68 833 A/W

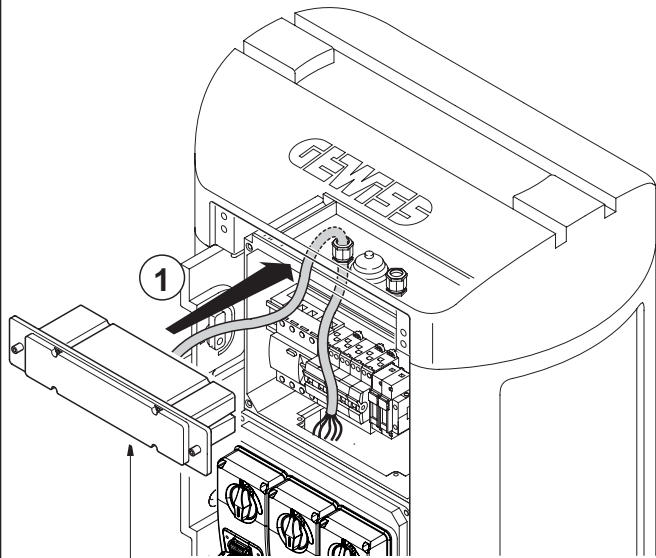
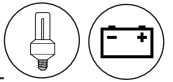


| | | | | | |
|-----------------------------------------------------------------------------------|------------------|---------------------------------------------------------------------------------------------------|------------------------------------------------------------------------------------|-------------------------------------------------------------------------------------|---|
| | |  |  |  | |
| | | 16A | 32A | 10A | |
| | | 2P+  230V | 4P | 2P | |
|  | GW 68 831 | IP44 | 2 + 2 | 1 | 4 |
| | GW 68 832 | IP44 | 3 + 3 | 1 | 6 |
| | GW 68 833 | IP44 | 4 + 4 | 1 | 8 |

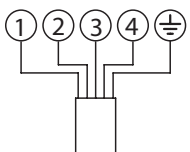
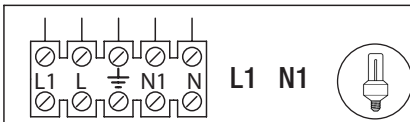
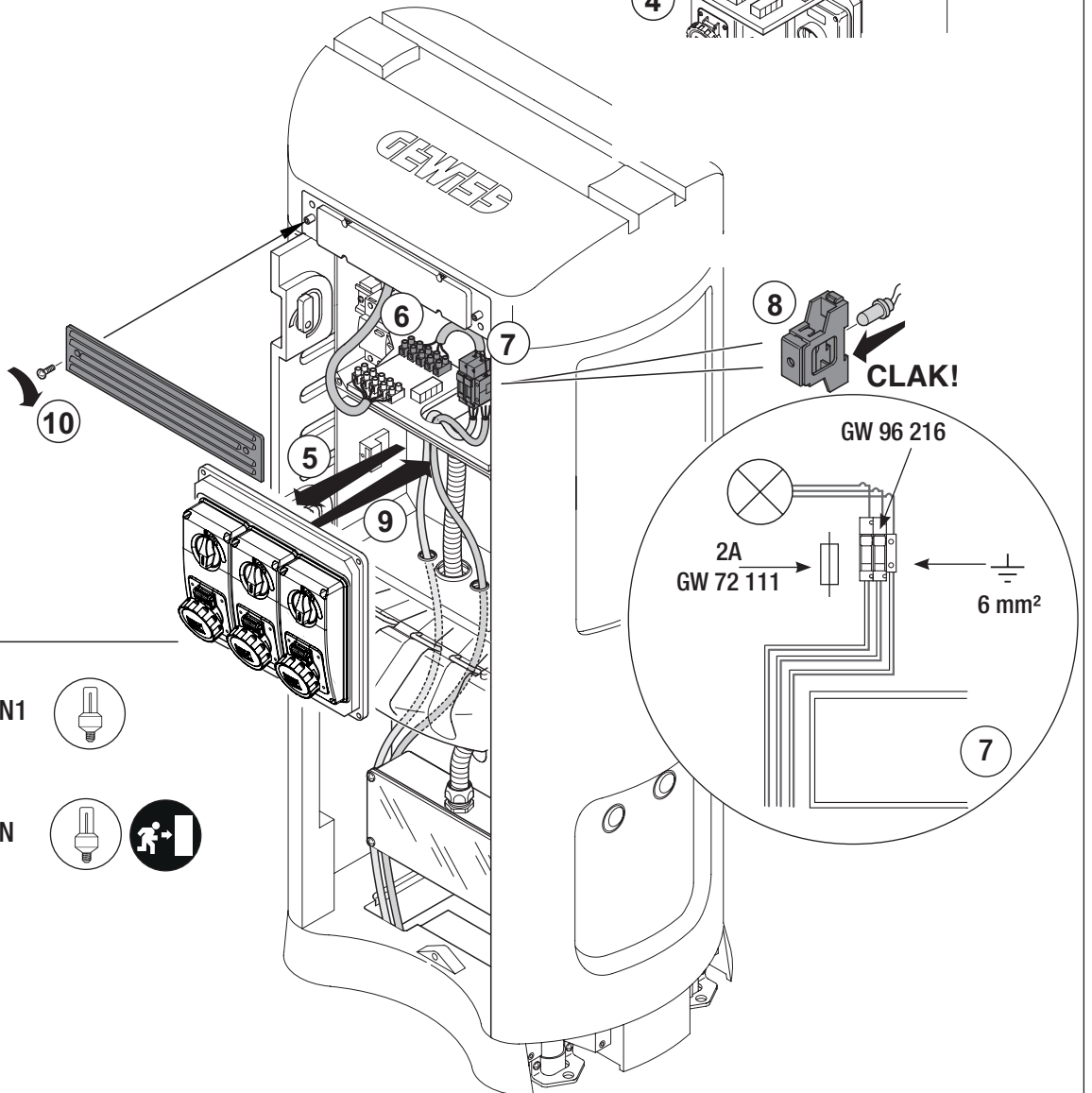
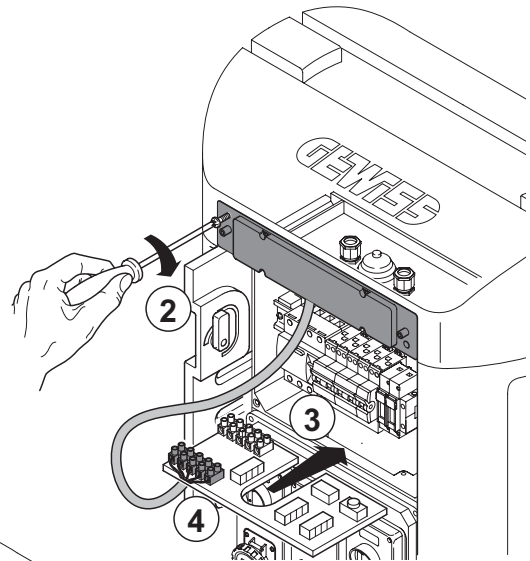


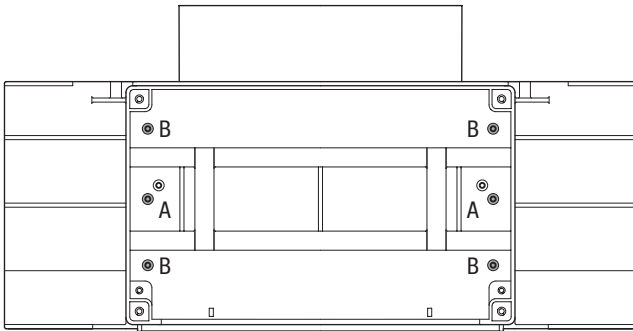




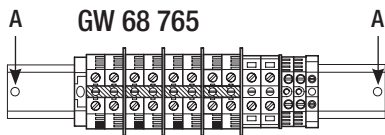
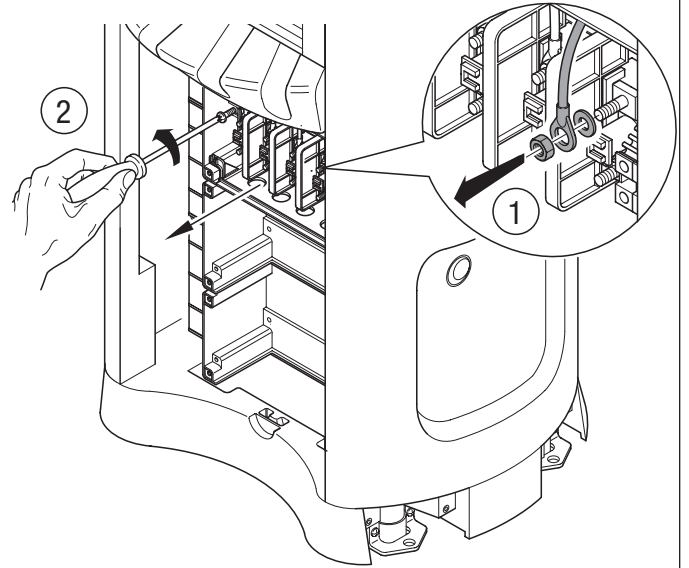


GW 68 752

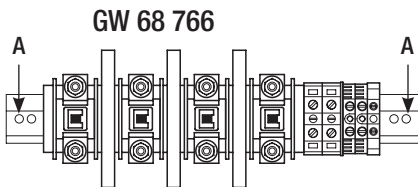




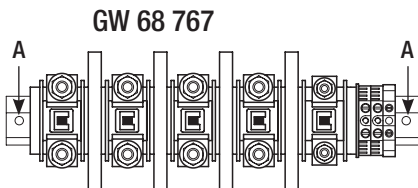
- 16 mm² = A
- 35 mm² = A
- 70 mm² = A
- 120 mm² = A
- 185 mm² = B



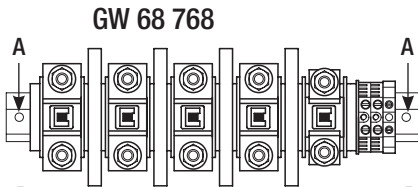
- 16 mm² GW 68 831
- 16 mm² GW 68 834
- 16 mm² GW 68 835



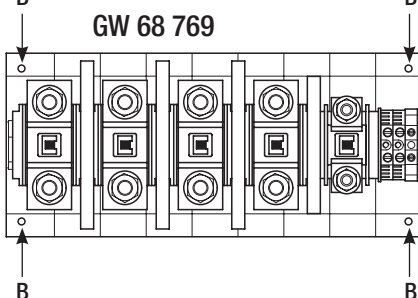
- 35 mm² GW 68 832
- 35 mm² GW 68 833
- 35 mm² GW 68 836
- 35 mm² GW 68 837



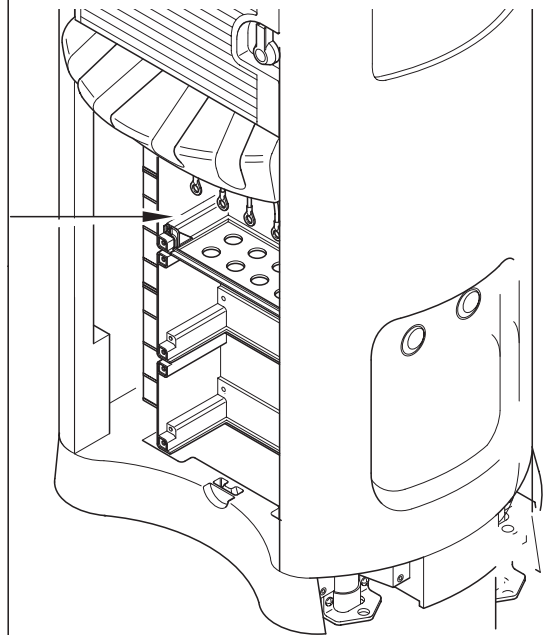
70 mm²

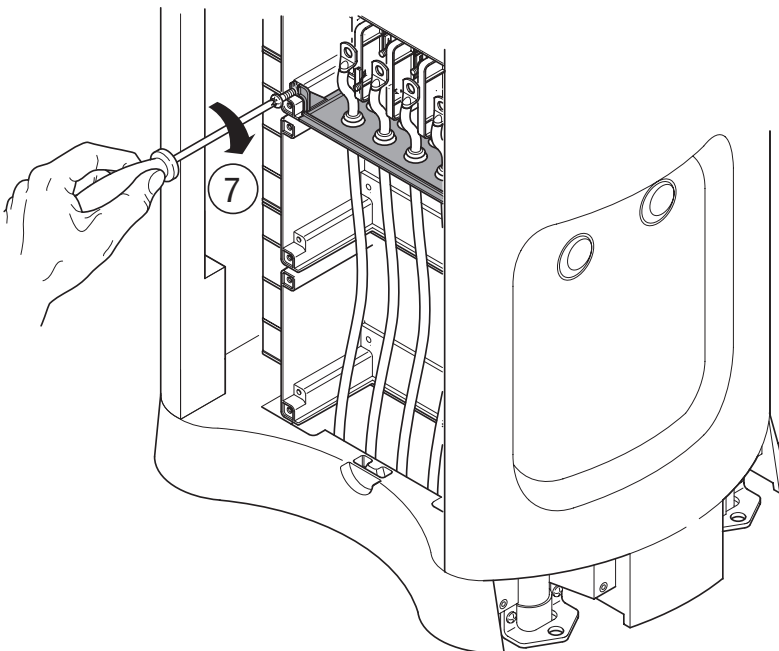
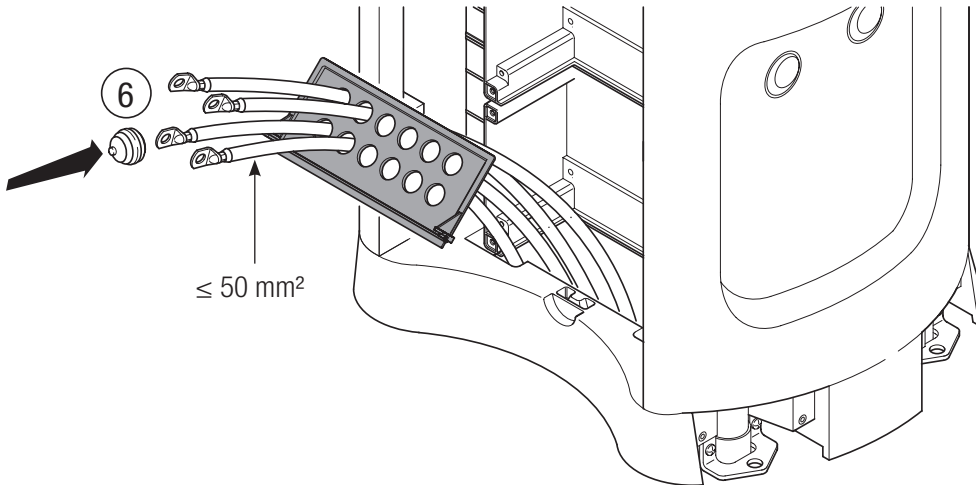
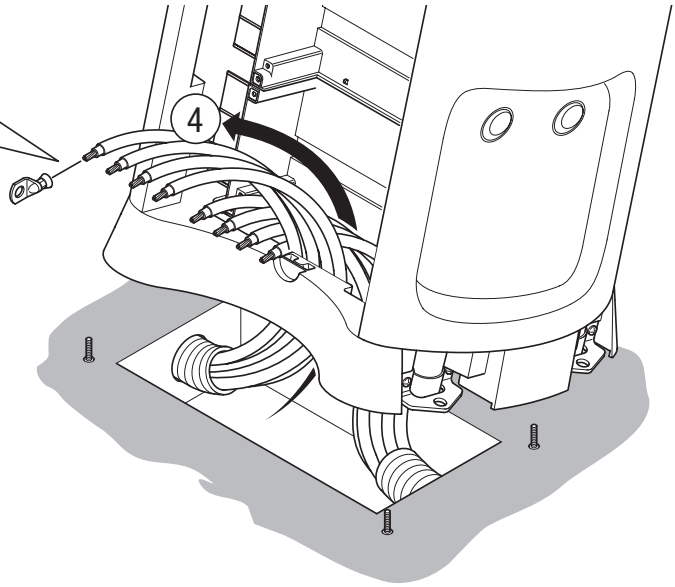
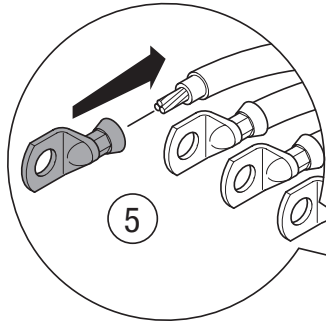


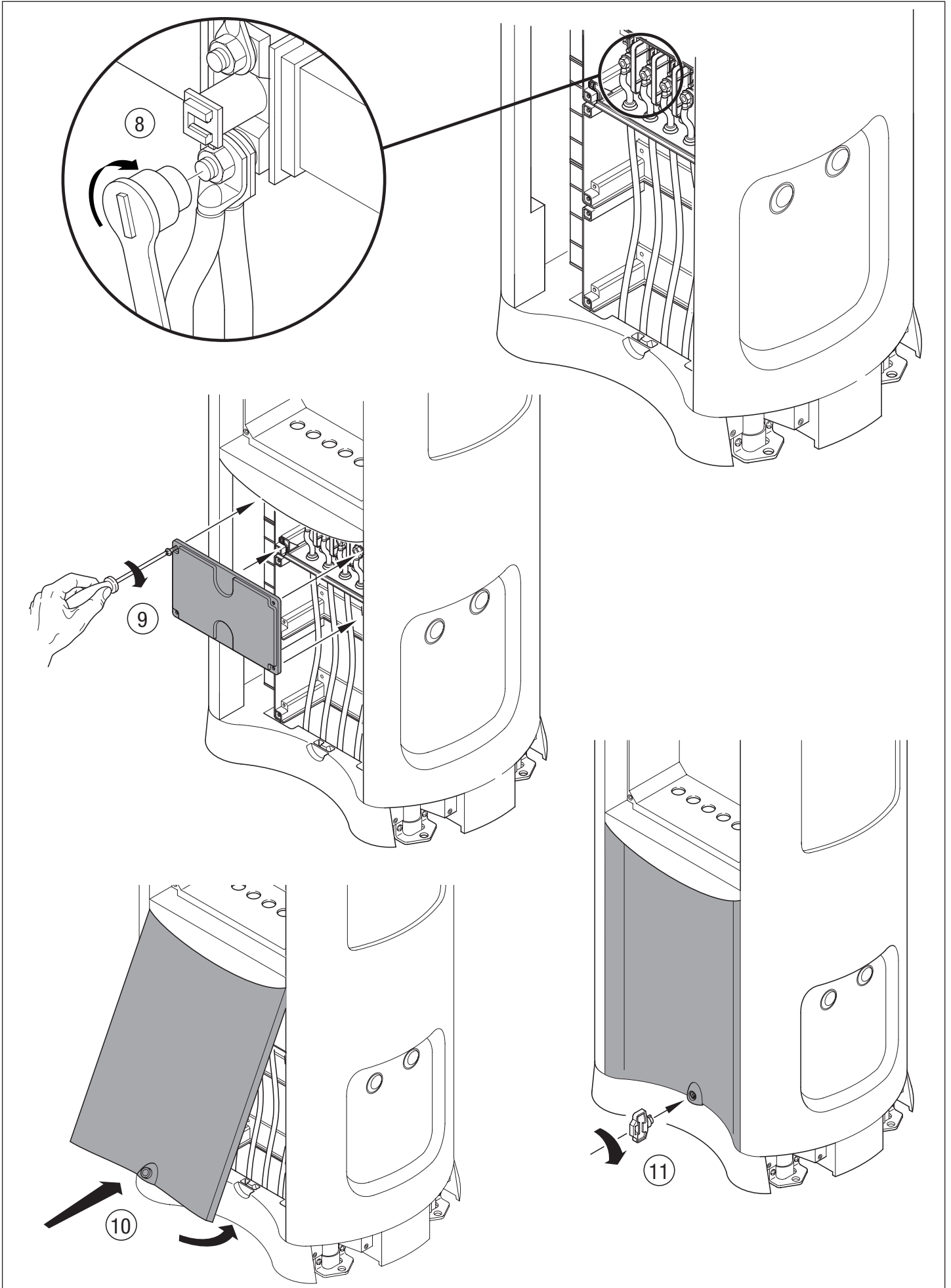
120 mm²

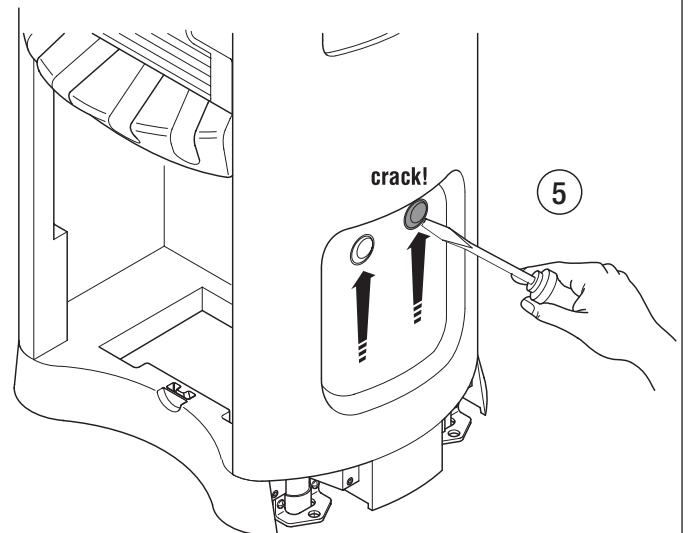
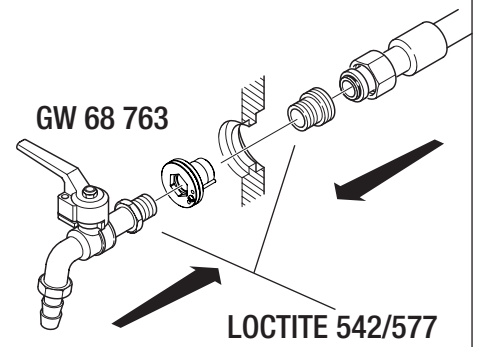
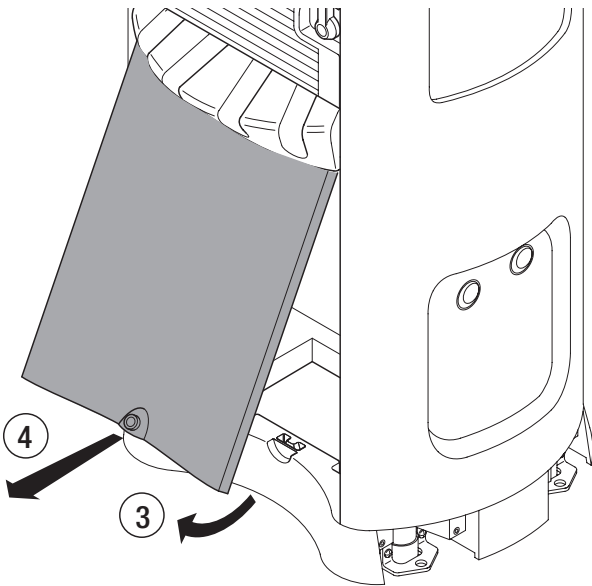
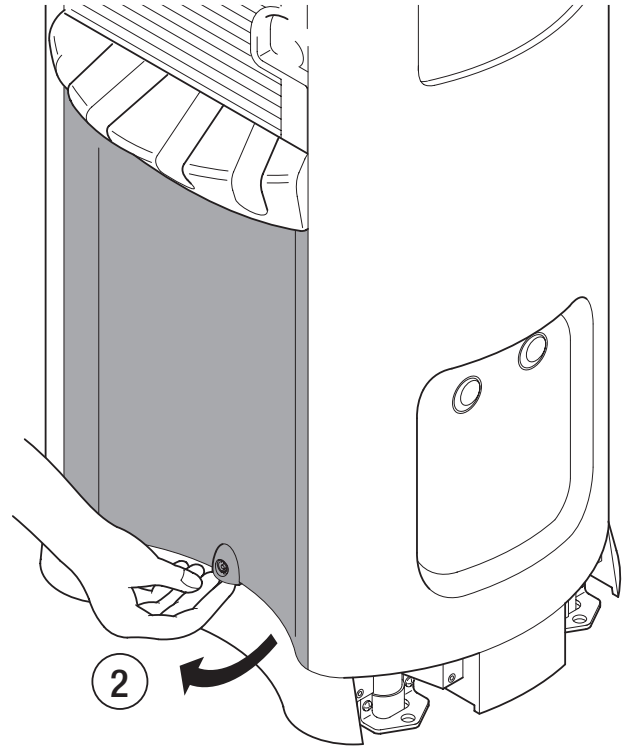
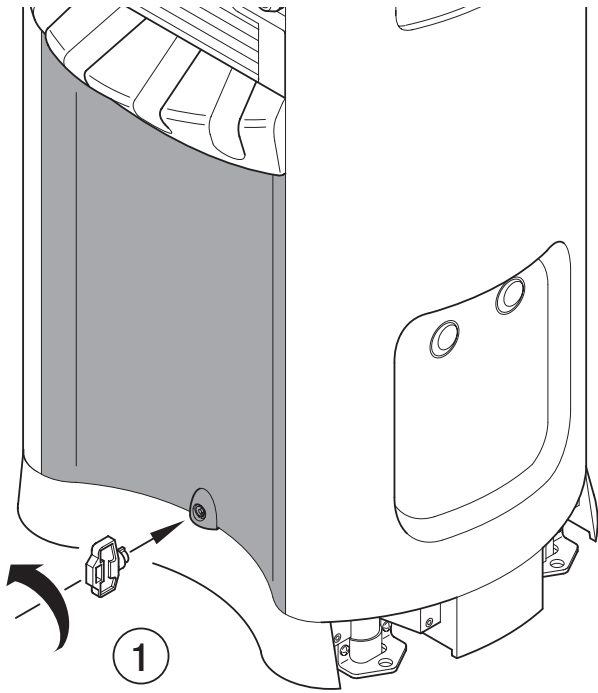


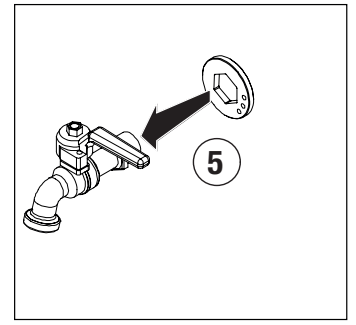
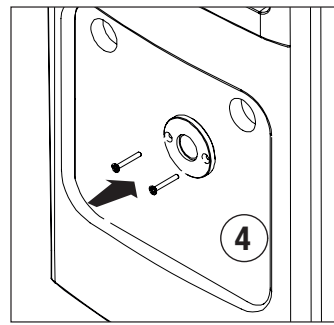
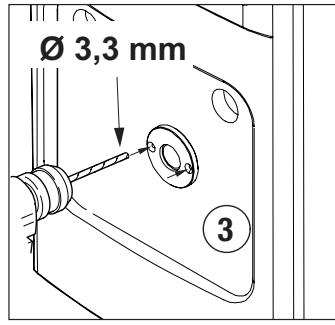
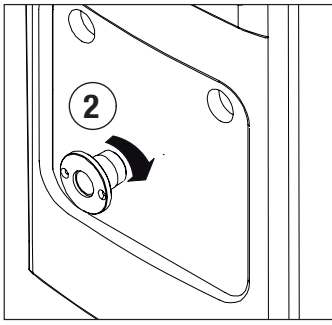
185 mm²





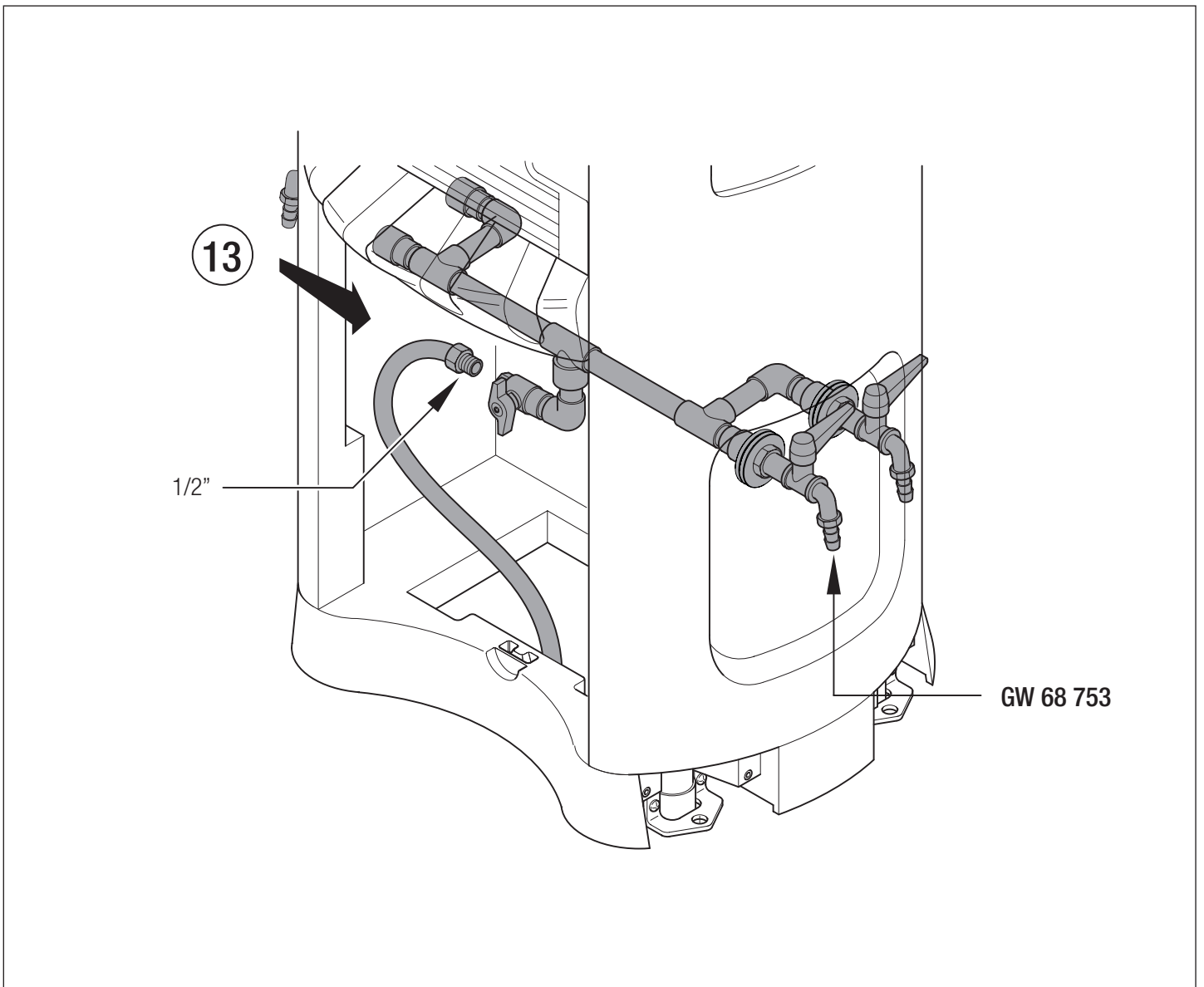
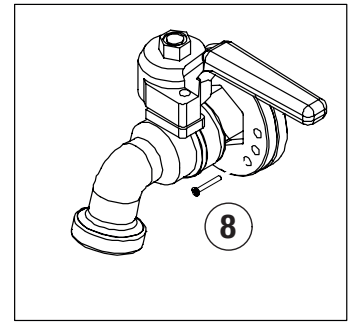
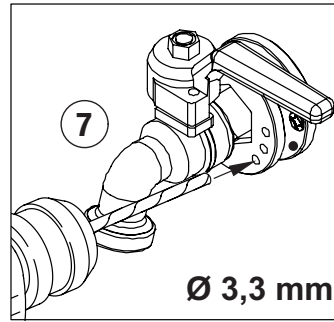
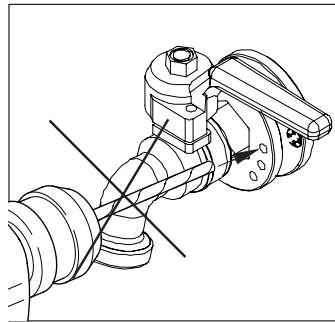
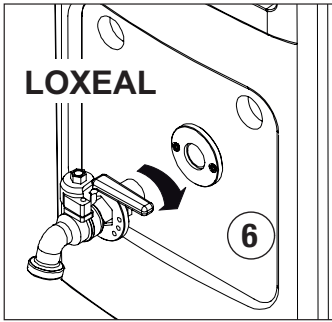


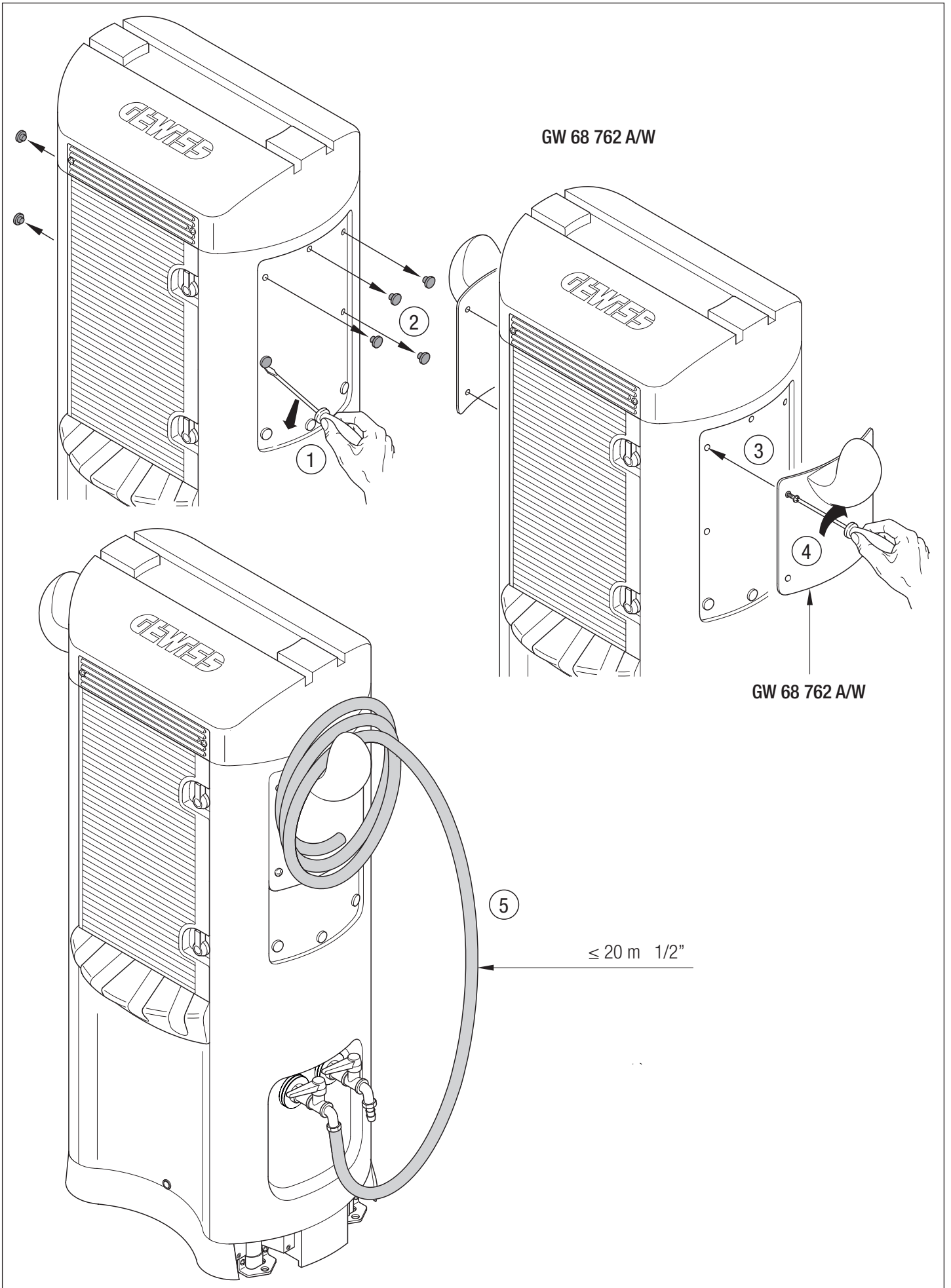


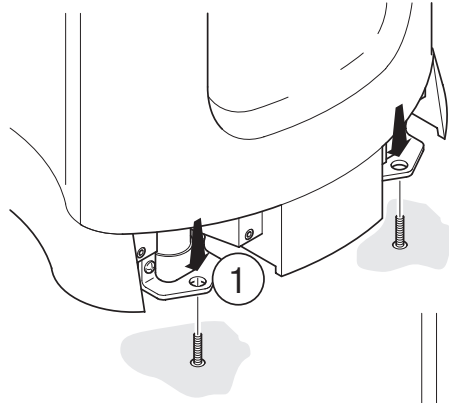


NO

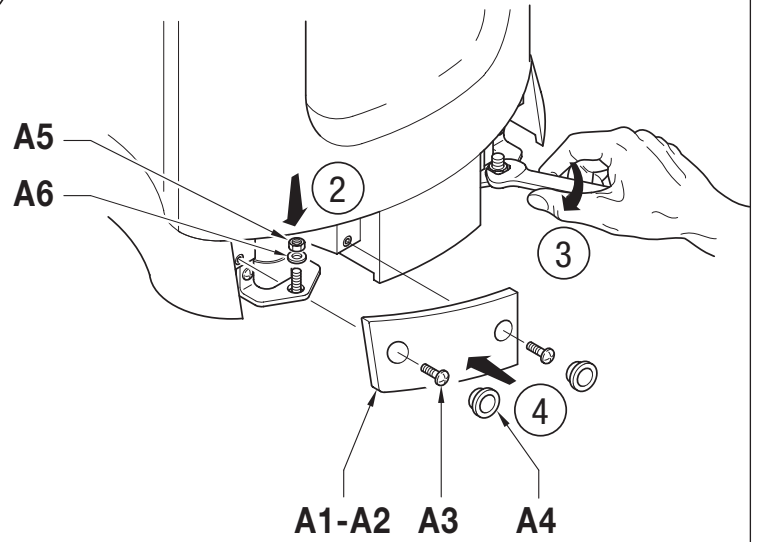
OK



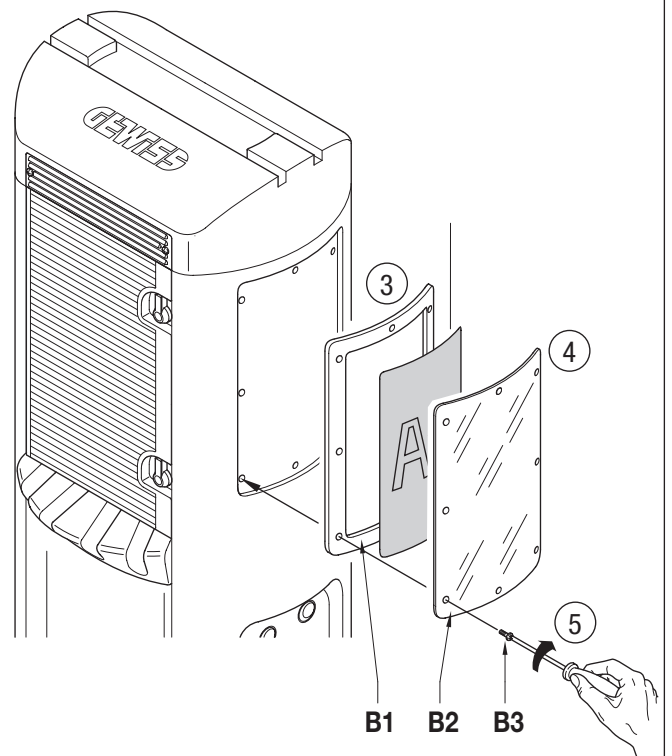
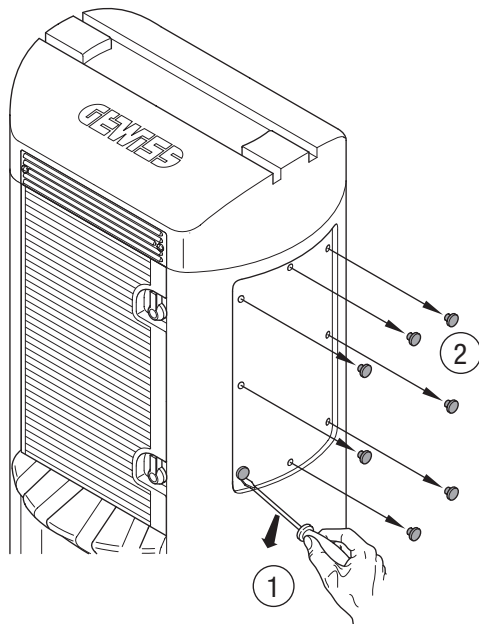


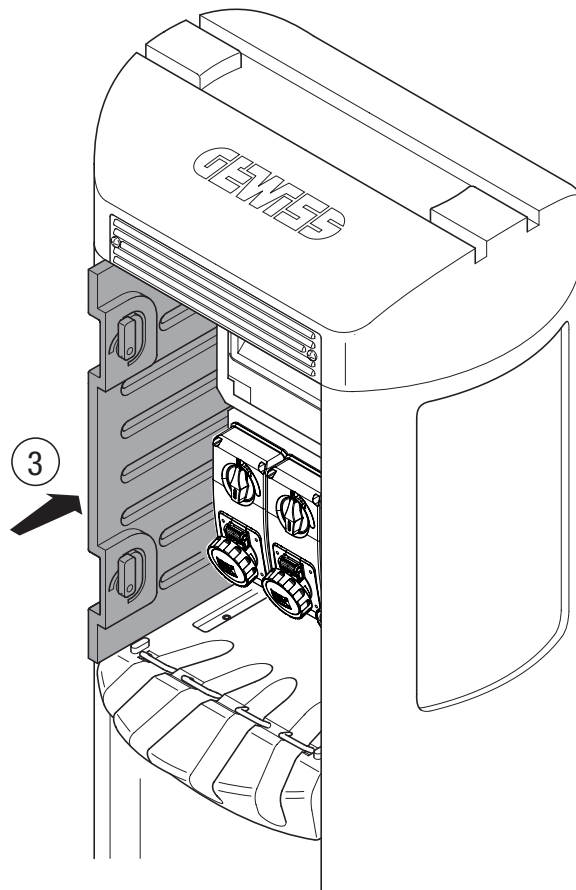
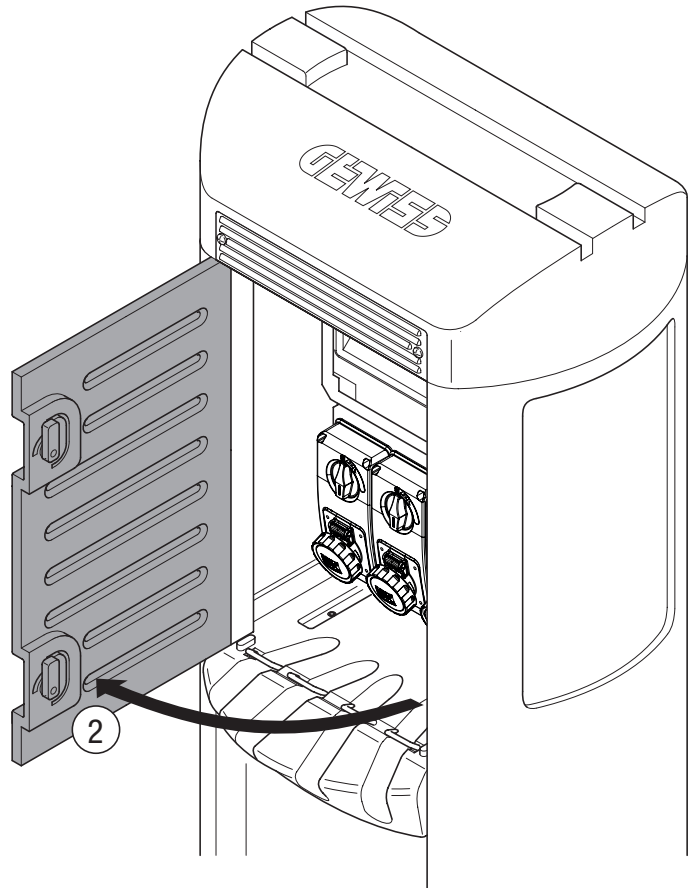
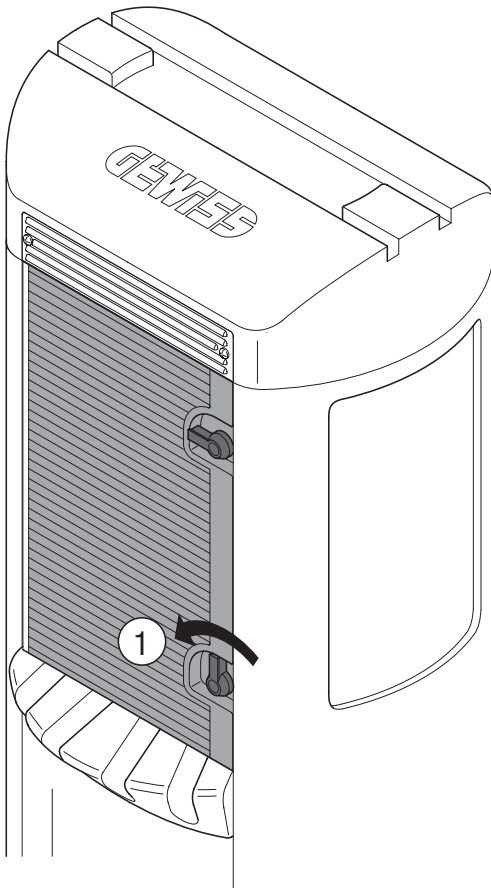


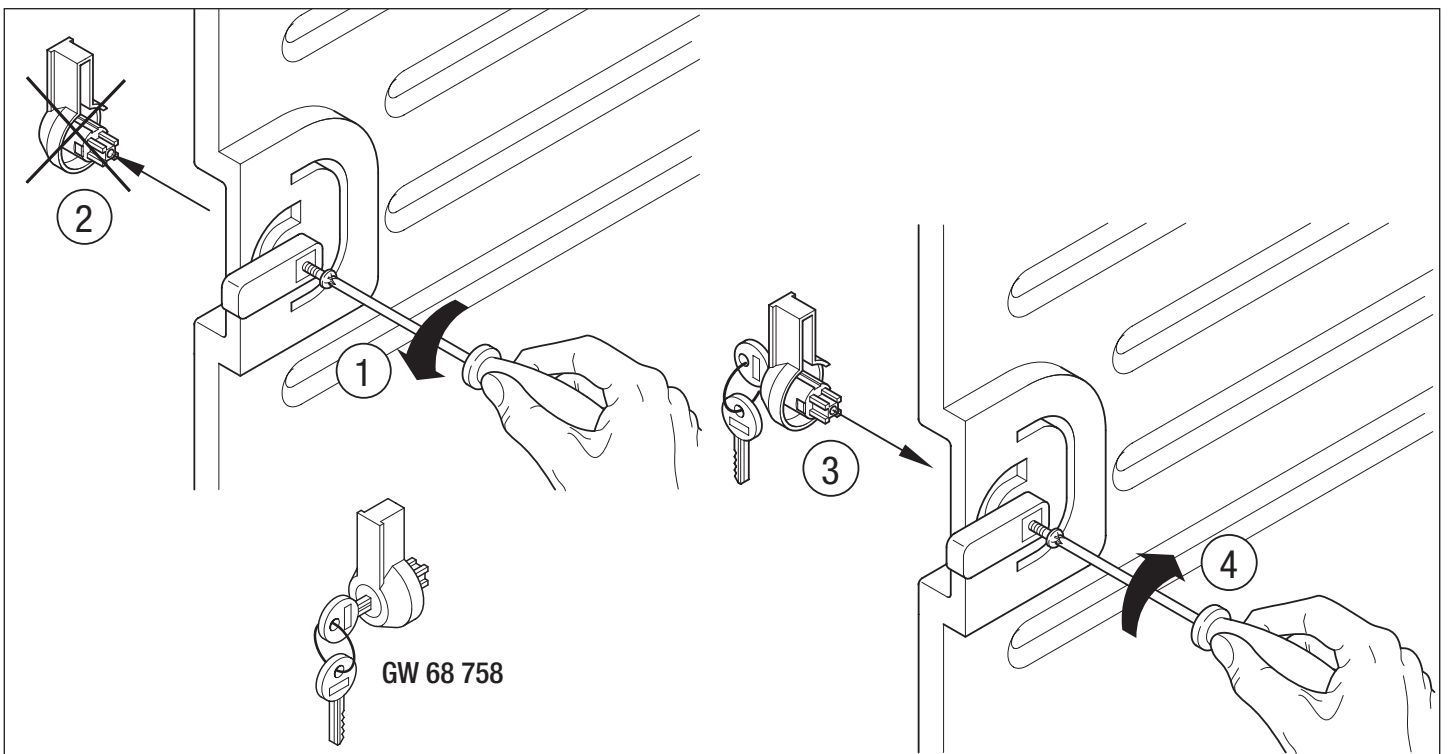
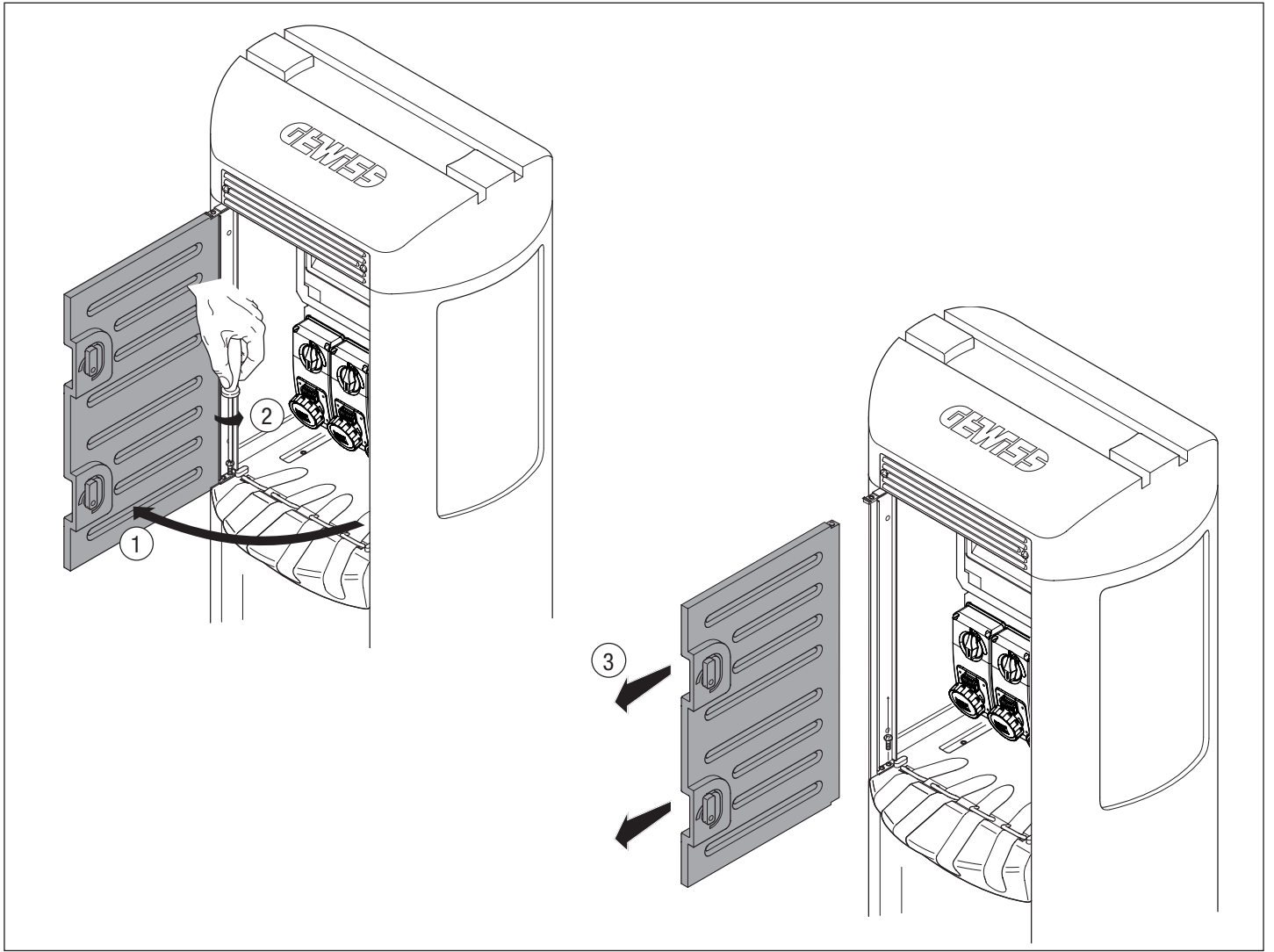
| | | | |
|----------|--|------------|---------|
| A1 A2 | | 2DX 2SX | |
| A3 | | 8 | M 5x20 |
| A4 | | 8 | Ø 14-16 |
| A5 | | 4 | M8 |
| A6 | | 4 | Ø 9 |

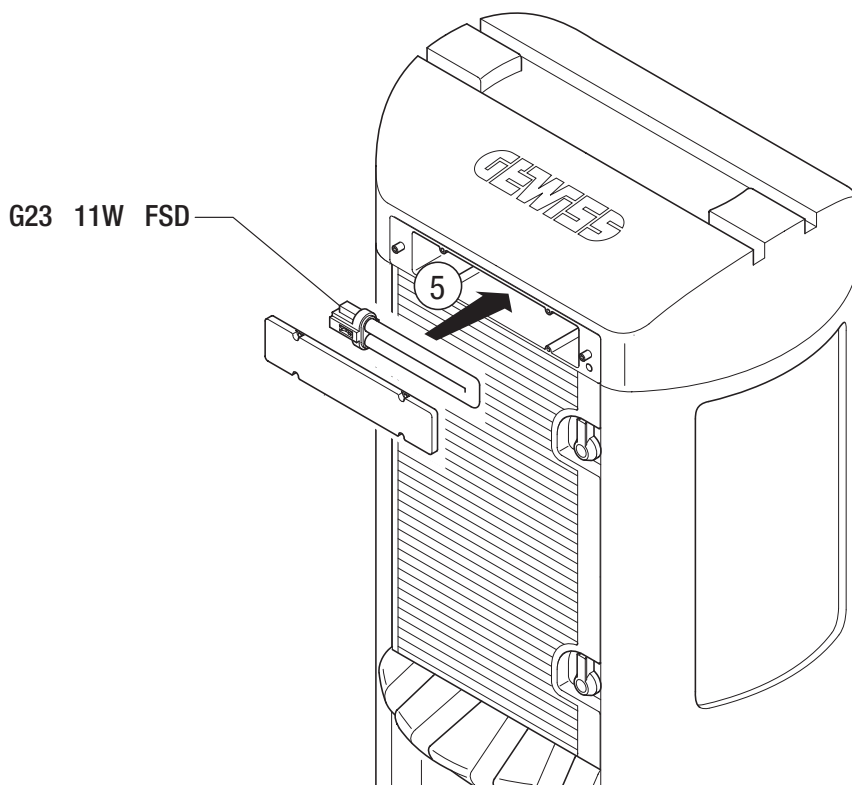
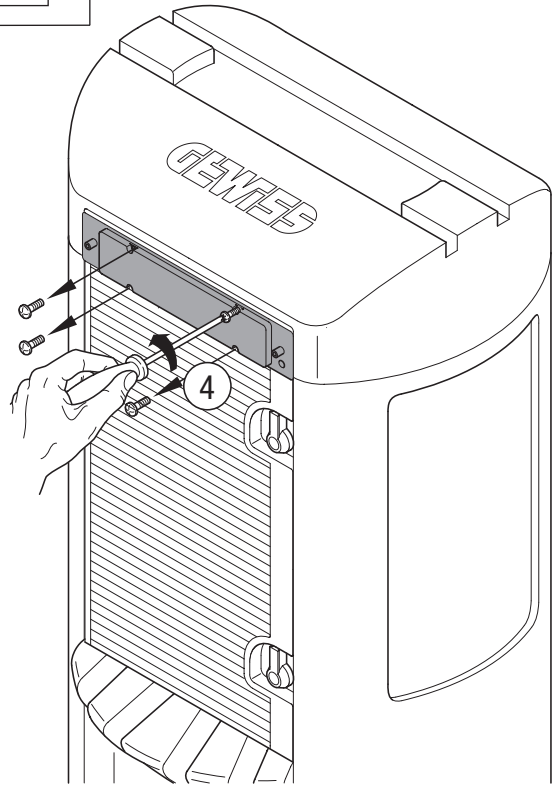
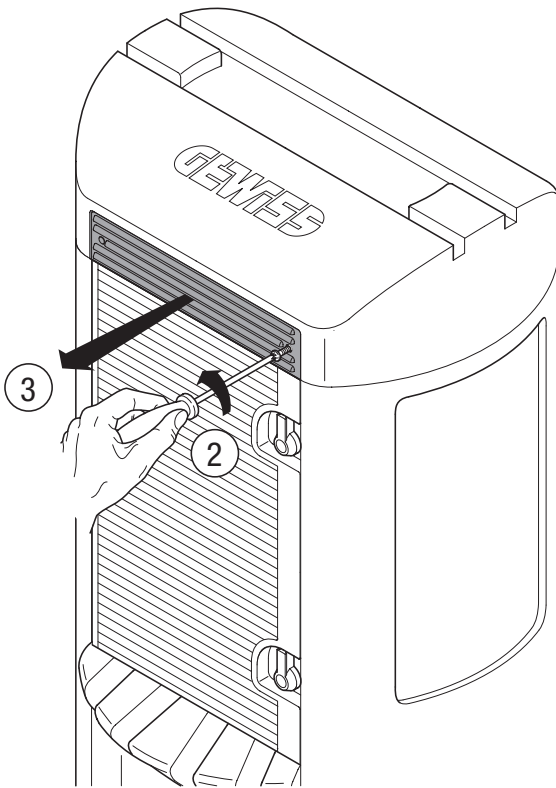
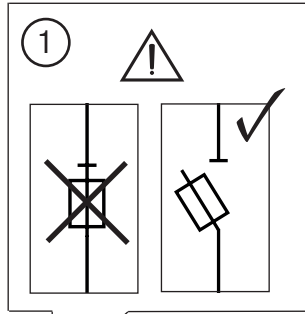


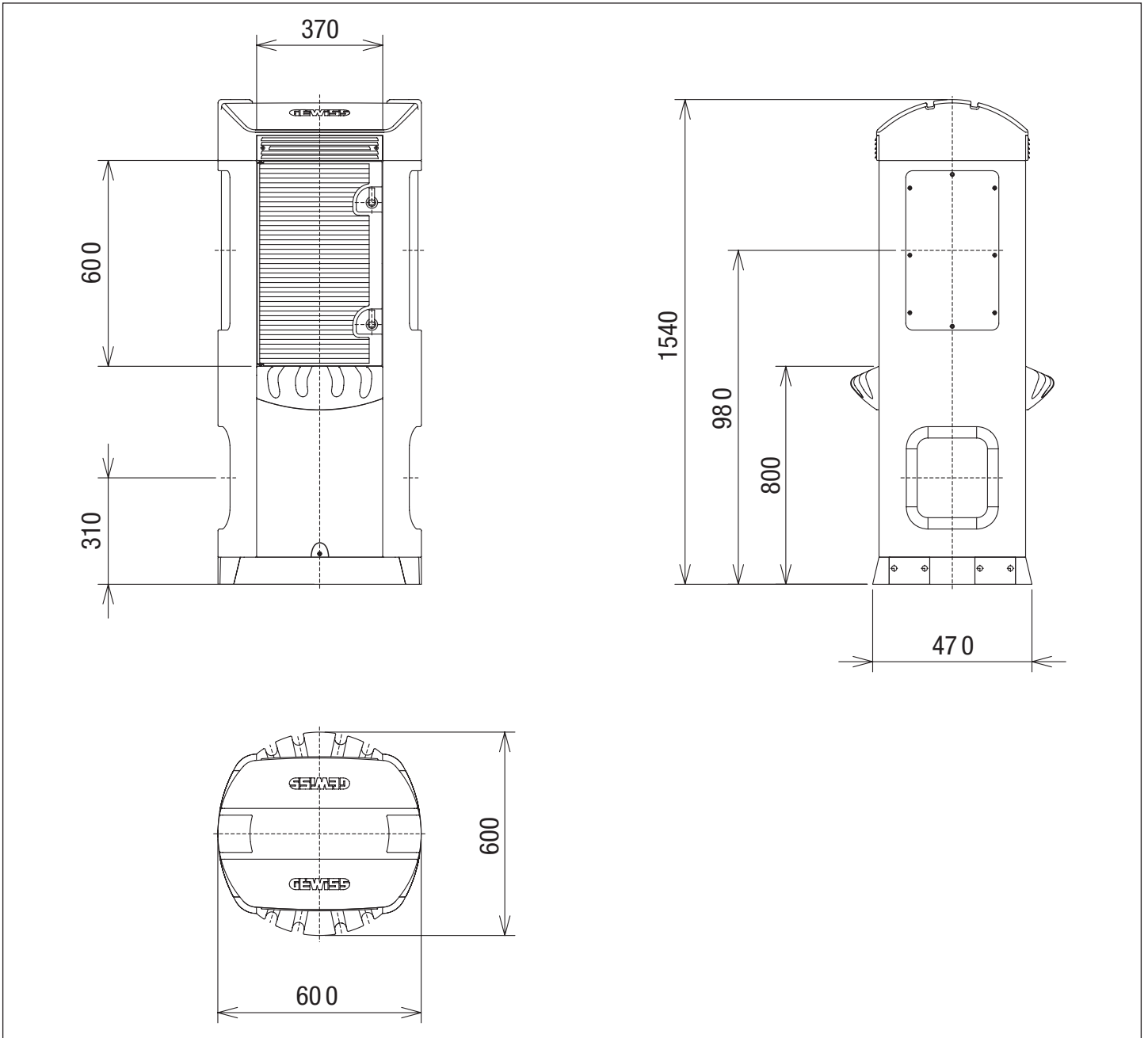
| | | | |
|----|--|--------|--------|
| B1 | | 1 | |
| B2 | | + 1 | |
| B3 | | 8 | M 5x20 |











cod. 7.55.4.061.7

Ai sensi delle Decisioni e delle Direttive Europee applicabili, si informa che il responsabile dell'immissione del prodotto sul mercato Comunitario è:

According to the applicable Decisions and European Directives, the responsible for placing the apparatus on the Community market is:

GEWISS S.p.A. Via A.Volta, 1 IT-24069 Cenate Sotto (BG) Italy Tel: +39 035 946 111 Fax: +39 035 946 270 E-mail: qualitymarks@gewiss.com



+39 035 946 111

8.30 - 12.30 / 14.00 - 18.00
lunedì - venerdì - monday - friday



+39 035 946 260



sat@gewiss.com
www.gewiss.com

ULTIMA REVISIONE 09/2015