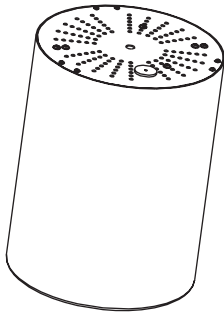
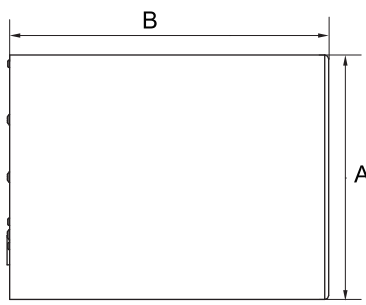


LED Downlight Surface Module

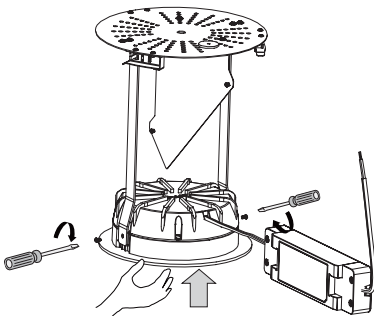
Version date 12-04-2017
www.opple.com

<div style="border: 1px solid black; padding: 2px; display: inline-block;">Item Code</div>	<div style="border: 1px solid black; padding: 2px; display: inline-block;">kg</div>	
140061242	1.7	

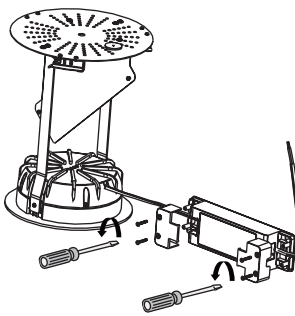


Type	A(mm)	B(mm)
LED DL-P-Surface-Module-R150	φ188	240

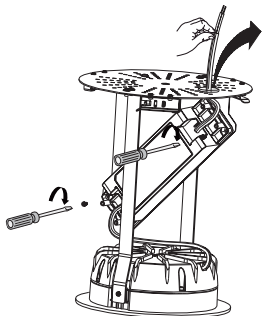
①



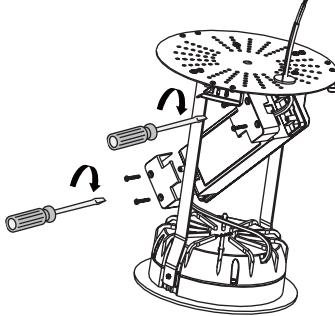
②



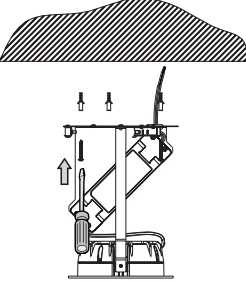
③



④

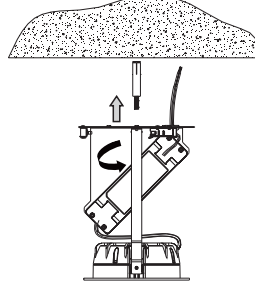


⑤a



Plaster/Gips/Gypse

⑤b



Stone/Concrete/Beton

