

E6A2-C

Compact Encoder with External Diameter of 25 mm



- Incremental model
- External diameter of 25 mm.
- Resolution of up to 500 ppr.



Be sure to read *Safety Precautions* on page 3.

For the most recent information on models that have been certified for safety standards, refer to your OMRON website.

Ordering Information

Encoders [Refer to *Dimensions* on page 4.]

Power supply voltage	Output configuration	Output phases	Resolution (pulses/rotation)	Model
5 to 12 VDC	Voltage output	Phases A, B, and Z	100, 200, 360	E6A2-CWZ3E (resolution) 0.5M
	Open-collector output (NPN output)		500	Example: E6A2-CWZ3E 100P/R 0.5M
12 to 24 VDC			100, 200, 360	E6A2-CWZ3C (resolution) 0.5M
	500		Example: E6A2-CWZ3C 100P/R 0.5M	
5 to 12 VDC	Voltage output	Phases A and B	100, 200, 360	E6A2-CW3E (resolution) 0.5M
	Open-collector output (NPN output)		500	Example: E6A2-CW3E 100P/R 0.5M
12 to 24 VDC			100, 200, 360	E6A2-CW3C (resolution) 0.5M
	500		Example: E6A2-CW3C 100P/R 0.5M	
5 to 12 VDC	Voltage output	Phase A	10, (20) *, 60, 100, 200, 300, 360	E6A2-CS3E (resolution) 0.5M
	Open-collector output (NPN output)		500	Example: E6A2-CS3E 10P/R 0.5M
12 to 24 VDC			10, 20, 60, 100, 200, 300, 360	E6A2-CS3C (resolution) 0.5M
	500		Example: E6A2-CS3C 10P/R 0.5M	
5 to 12 VDC	Voltage output	Phase A	10, 20, 60, 100, 200, 300, 360	E6A2-CS5C (resolution) 0.5M
	Open-collector output (NPN output)		500	Example: E6A2-CS5C 10P/R 0.5M
12 to 24 VDC			10, 20, 60, 100, 200, 300, 360	E6A2-CS5C (resolution) 0.5M
	500		Example: E6A2-CS5C 10P/R 0.5M	

* Only a 2-m cable is available for the 20P/R Model.

Accessories (Order Separately) [Refer to *Dimensions* on *Rotary Encoder Accessories*.]

Name	Model	Remarks
Coupling	E69-C04B	Provided with the product.
Servo Mounting Bracket	E69-1	Provided with the E6A2-CWZ□.

Refer to *Accessories* for details.

Ratings and Specifications

Item	Model	E6A2-CWZ3E	E6A2-CWZ3C	E6A2-CWZ5C	E6A2-CW3E	E6A2-CW3C	E6A2-CW5C	E6A2-CS3E	E6A2-CS3C	E6A2-CS5C
Power supply voltage		5 VDC -5% to 12 V +10% ripple (p-p): 5% max.		12 VDC -10% to 24 VDC +15%, ripple (p-p): 5% max.	5 VDC -5% to 12 V +10%, ripple (p-p): 5% max.		12 VDC -10% to 24 VDC +15%, ripple (p-p): 5% max.	5 VDC -5% to 12 V +10%, ripple (p-p): 5% max.		12 VDC -10% to 24 VDC +15%, ripple (p-p): 5% max.
Current consumption*1		50 mA max.	30 mA max.		30 mA max.	20 mA max.		30 mA max.	20 mA max.	
Resolution (pulses/rotation)		100, 200, 360, 500						10, 20, 60, 100, 200, 300, 360, 500		
Output phases		Phases A, B, and Z			Phases A and B			Phase A		
Output configuration		Voltage output	NPN open-collector output		Voltage output	NPN open-collector output		Voltage output	NPN open-collector output	
Output capacity		Output resistance: 2 kΩ Output current: 20 mA max. Residual voltage: 0.4 V max. (Output current: 20 mA max.)	Applied voltage: 30 VDC max. Sink current: 30 mA max. Residual voltage: 0.4 V max. (at sink current of 30 mA)		Output resistance: 2 kΩ Output current: 20 mA max. Residual voltage: 0.4 V max. (Output current: 20 mA max.)	Applied voltage: 30 VDC max. Sink current: 30 mA max. Residual voltage: 0.4 V max. (at sink current of 30 mA)		Output resistance: 2 kΩ Output current: 20 mA max. Residual voltage: 0.4 V max. (Output current: 20 mA max.)	Applied voltage: 30 VDC max. Sink current: 30 mA max. Residual voltage: 0.4 V max. (at sink current of 30 mA)	
Maximum response frequency*2		30 kHz								
Phase difference between outputs		Phase difference between phases A and B: 90°±45°						---		
Output duty factor		---						50±25%		
Rise and fall times of output		1.0 μs max. (Cable length: 500 mm, Sink current: 10 mA)	1.0 μs max. (Cable length: 500 mm, Control output voltage: 5 V, Load resistance: 1 kΩ)		1.0 μs max. (Cable length: 500 mm, Sink current: 10 mA)	1.0 μs max. (Cable length: 500 mm, Control output voltage: 5 V, Load resistance: 1 kΩ)		1.0 μs max. (Cable length: 500 mm, Sink current: 10 mA)	1.0 μs max. (Cable length: 500 mm, Control output voltage: 5 V, Load resistance: 1 kΩ)	
Starting torque		1 mN·m max.								
Moment of inertia		1 × 10 ⁻⁷ kg·m ² max.								
Shaft loading	Radial	10 N								
	Thrust	50 N								
Maximum permissible speed		5,000 r/min								
Ambient temperature range		Operating: -10 to 55°C (with no icing), Storage: -25 to 80°C (with no icing)								
Ambient humidity range		Operating/storage: 35% to 85% (with no condensation)								
Insulation resistance		20 MΩ min. (at 500 VDC) between current-carrying parts and case								
Dielectric strength		500 VAC, 50/60 Hz for 1 min between current-carrying parts and case								
Vibration resistance		Destruction: 10 to 55 Hz, 1.5-mm double amplitude for 2 hours each in X, Y, and Z directions								
Shock resistance		Destruction: 500m/s ² 3 times each in X, Y, and Z directions								
Degree of protection*3		IEC 60529 IP50								
Connection method		Pre-wired Models (Standard cable length: 500 mm)								
Material		Case: Aluminum alloy, Main unit: Aluminum, Shaft: SUS420J2, Mounting Bracket: Galvanized iron								
Weight (packed state)		Approx. 35 g								
Accessories		Coupling, Servo Mounting Bracket (provided with the E6A2-CWZ□□), Hexagonal wrench, Instruction manual								

*1. An inrush current of approximately 9 A will flow for approximately 0.3 ms when the power is turned ON.

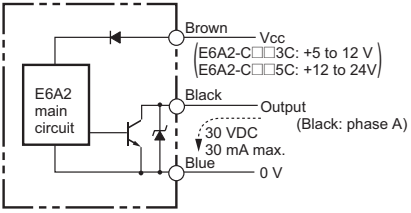
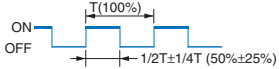
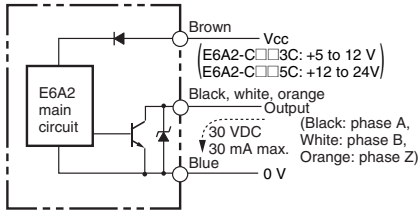
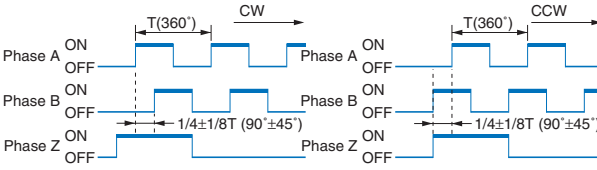
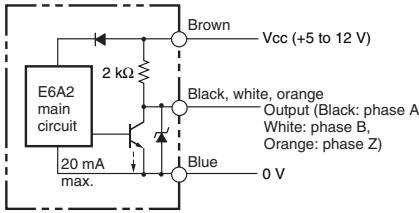
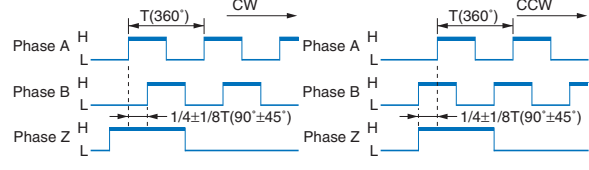
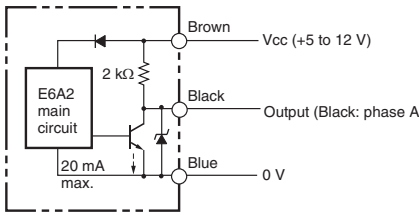
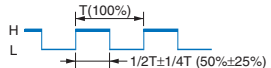
*2. The maximum electrical response speed is determined by the resolution and maximum response frequency as follows:

$$\text{Maximum electrical response speed (rpm)} = \frac{\text{Maximum response frequency}}{\text{Resolution}} \times 60$$

This means that the E6A2-C Rotary Encoder will not operate electrically if its speed exceeds the maximum electrical response speed.

*3. No protection is provided against water or oil.

I/O Circuit Diagrams

Model/Output Circuits	Output mode	Connection												
<p>E6A2-CS3C *1 E6A2-CS5C *1</p> 	<p>Output transistor</p>  <p>(The ONs in the above timing chart mean that the output transistor is ON and the OFFs mean that the output transistor is OFF.)</p>													
<p>E6A2-CW3C *2 E6A2-CW5C *2 E6A2-CWZ3C E6A2-CWZ5C</p> 	<p>Output transistor</p> <p>Direction of rotation: CW (as viewed from end of shaft) Direction of rotation: CCW (as viewed from end of shaft)</p>  <p>Note: Phase A is $1/4 T \pm 1/8 T$ faster than phase B. Note: Phase A is $1/4 T \pm 1/8 T$ slower than phase B.</p> <p>(The ONs in the above timing chart mean that the output transistor is ON and the OFFs mean that the output transistor is OFF.)</p>	<table border="1" data-bbox="1209 757 1497 940"> <thead> <tr> <th>Color</th> <th>Signal</th> </tr> </thead> <tbody> <tr> <td>Brown</td> <td>Vcc</td> </tr> <tr> <td>Black</td> <td>Phase A</td> </tr> <tr> <td>White</td> <td>Phase B</td> </tr> <tr> <td>Orange</td> <td>Phase Z</td> </tr> <tr> <td>Blue</td> <td>0 V (common)</td> </tr> </tbody> </table> <p>*1. The white and orange wires of Single Models (E6A2-CS□□) do not output signals (no connection). *2. The white and orange wires of Single Models (E6A2-CS□□) do not output signals (no connection). *3. Voltage Output Models are capable of sinking a maximum current of 20 mA.</p>	Color	Signal	Brown	Vcc	Black	Phase A	White	Phase B	Orange	Phase Z	Blue	0 V (common)
Color	Signal													
Brown	Vcc													
Black	Phase A													
White	Phase B													
Orange	Phase Z													
Blue	0 V (common)													
<p>E6A2-CW3E *2, 3 E6A2-CWZ3E *3</p> 	<p>Output transistor</p> <p>Direction of rotation: CW (as viewed from end of shaft) Direction of rotation: CCW (as viewed from end of shaft)</p>  <p>Note: Phase A is $1/4 T \pm 1/8 T$ faster than phase B. Note: Phase A is $1/4 T \pm 1/8 T$ slower than phase B.</p> <p>(“H” and “L” in the diagrams are the output voltage levels of phases A, B, and Z.)</p>													
<p>E6A2-CS3E *1, 3</p> 	<p>Output transistor</p>  <p>(“H” and “L” in the diagrams are the output voltage levels.)</p>													

Safety Precautions

Refer to *Warranty and Limitations of Liability*.

⚠ WARNING

This product is not designed or rated for ensuring safety of persons either directly or indirectly. Do not use it for such purposes.



Precautions for Correct Use

Do not use the Encoder under ambient conditions that exceed the ratings.

● **Wiring**

Spurious pulses may be generated when power is turned ON and OFF. Wait at least 0.1 s after turning ON the power to the Encoder before using the connected device, and stop using the connected device at least 0.1 s before turning OFF the power to the Encoder. Also, turn ON the power to the load only after turning ON the power to the Encoder.

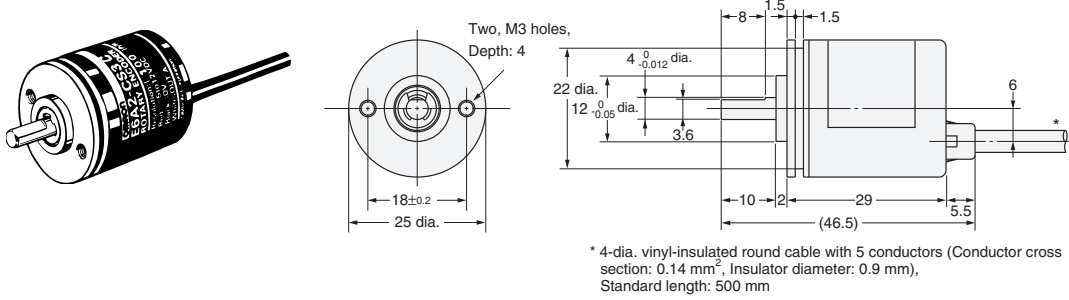
(Unit: mm)

Dimensions

Tolerance class IT16 applies to dimensions in this datasheet unless otherwise specified.

Encoder

E6A2-C



Accessories (Order Separately)

[Coupling](#)

[Servo Mounting Bracket](#)

E69-C04B

E69-1

Refer to *Accessories* for details.

Terms and Conditions Agreement

Read and understand this catalog.

Please read and understand this catalog before purchasing the products. Please consult your OMRON representative if you have any questions or comments.

Warranties.

(a) Exclusive Warranty. Omron's exclusive warranty is that the Products will be free from defects in materials and workmanship for a period of twelve months from the date of sale by Omron (or such other period expressed in writing by Omron). Omron disclaims all other warranties, express or implied.

(b) Limitations. OMRON MAKES NO WARRANTY OR REPRESENTATION, EXPRESS OR IMPLIED, ABOUT NON-INFRINGEMENT, MERCHANTABILITY OR FITNESS FOR A PARTICULAR PURPOSE OF THE PRODUCTS. BUYER ACKNOWLEDGES THAT IT ALONE HAS DETERMINED THAT THE PRODUCTS WILL SUITABLY MEET THE REQUIREMENTS OF THEIR INTENDED USE.

Omron further disclaims all warranties and responsibility of any type for claims or expenses based on infringement by the Products or otherwise of any intellectual property right. (c) Buyer Remedy. Omron's sole obligation hereunder shall be, at Omron's election, to (i) replace (in the form originally shipped with Buyer responsible for labor charges for removal or replacement thereof) the non-complying Product, (ii) repair the non-complying Product, or (iii) repay or credit Buyer an amount equal to the purchase price of the non-complying Product; provided that in no event shall Omron be responsible for warranty, repair, indemnity or any other claims or expenses regarding the Products unless Omron's analysis confirms that the Products were properly handled, stored, installed and maintained and not subject to contamination, abuse, misuse or inappropriate modification. Return of any Products by Buyer must be approved in writing by Omron before shipment. Omron Companies shall not be liable for the suitability or unsuitability or the results from the use of Products in combination with any electrical or electronic components, circuits, system assemblies or any other materials or substances or environments. Any advice, recommendations or information given orally or in writing, are not to be construed as an amendment or addition to the above warranty.

See <http://www.omron.com/global/> or contact your Omron representative for published information.

Limitation on Liability: Etc.

OMRON COMPANIES SHALL NOT BE LIABLE FOR SPECIAL, INDIRECT, INCIDENTAL, OR CONSEQUENTIAL DAMAGES, LOSS OF PROFITS OR PRODUCTION OR COMMERCIAL LOSS IN ANY WAY CONNECTED WITH THE PRODUCTS, WHETHER SUCH CLAIM IS BASED IN CONTRACT, WARRANTY, NEGLIGENCE OR STRICT LIABILITY.

Further, in no event shall liability of Omron Companies exceed the individual price of the Product on which liability is asserted.

Suitability of Use.

Omron Companies shall not be responsible for conformity with any standards, codes or regulations which apply to the combination of the Product in the Buyer's application or use of the Product. At Buyer's request, Omron will provide applicable third party certification documents identifying ratings and limitations of use which apply to the Product. This information by itself is not sufficient for a complete determination of the suitability of the Product in combination with the end product, machine, system, or other application or use. Buyer shall be solely responsible for determining appropriateness of the particular Product with respect to Buyer's application, product or system. Buyer shall take application responsibility in all cases.

NEVER USE THE PRODUCT FOR AN APPLICATION INVOLVING SERIOUS RISK TO LIFE OR PROPERTY OR IN LARGE QUANTITIES WITHOUT ENSURING THAT THE SYSTEM AS A WHOLE HAS BEEN DESIGNED TO ADDRESS THE RISKS, AND THAT THE OMRON PRODUCT(S) IS PROPERLY RATED AND INSTALLED FOR THE INTENDED USE WITHIN THE OVERALL EQUIPMENT OR SYSTEM.

Programmable Products.

Omron Companies shall not be responsible for the user's programming of a programmable Product, or any consequence thereof.

Performance Data.

Data presented in Omron Company websites, catalogs and other materials is provided as a guide for the user in determining suitability and does not constitute a warranty. It may represent the result of Omron's test conditions, and the user must correlate it to actual application requirements. Actual performance is subject to the Omron's Warranty and Limitations of Liability.

Change in Specifications.

Product specifications and accessories may be changed at any time based on improvements and other reasons. It is our practice to change part numbers when published ratings or features are changed, or when significant construction changes are made. However, some specifications of the Product may be changed without any notice. When in doubt, special part numbers may be assigned to fix or establish key specifications for your application. Please consult with your Omron's representative at any time to confirm actual specifications of purchased Product.

Errors and Omissions.

Information presented by Omron Companies has been checked and is believed to be accurate; however, no responsibility is assumed for clerical, typographical or proofreading errors or omissions.