

Product Data Sheet

GW15386

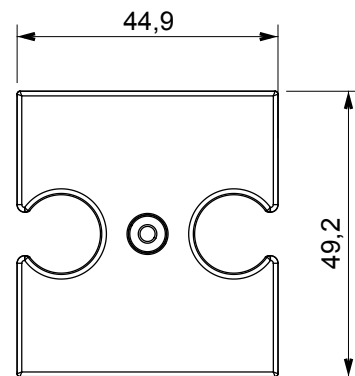
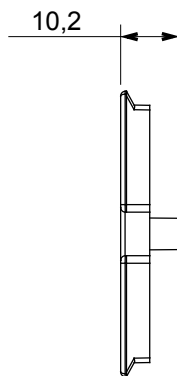
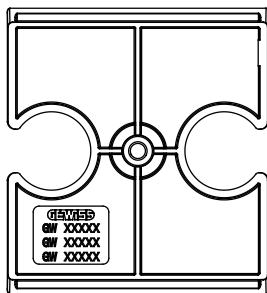
CHORUSMART - Domestic range



Wide range of control devices, sockets for power supply (conforming to national and international standards) signal pick-up, climate control, comfort management, technical alarm signalling and emergency lighting management. The ChoruSmart modular devices are available in five colours, glossy white, satin white, natural beige, satin black and lacquered titanium and in various sizes from 1/2, 1, 2 and 3 modules. Thanks to the mounting supports for rectangular, square and round boxes, endless combinations can be created with the ChoruSmart range of plates.

Description	For TV-R base	Colour	Satin White
Characteristics	Cover for antenna sockets	No. holes	2
Electrocod	0122	Material	Technopolymer

DIMENSIONAL



STANDARDS/APPROVALS

