

Traffic Lights / Permanent-/ Traffic Light 890

Permanent Beacon BWM 12-230VAC/DC CL



Part No.: 890.400.00



MECHANICAL DATA

| | |
|------------------------------|--------------------------------|
| Length | 154 mm |
| Height | 168 mm |
| Diameter | 150 mm |
| Materials | PC PC/ABS |
| Dome colour | Clear |
| Housing colour | Grey |
| Protection category | IP65 |
| Connection | Insulation-displacement contac |
| cross-sectional area maximum | 1,50mm ² / 16AWG |
| Cable entry | Screwed cable gland |
| Cable entry minimum | d = 5 mm d = 6 mm |
| Cable entry maximum | d = 12 mm |
| Tension relief | Present (conforms to VDE) |
| Type of fixing | Base mounting Wall mounting |
| Working temperature minimum | -30°C |
| Working temperature maximum | +50°C |
| Weight with packaging | 531 g |
| Product weight | 455 g |

ELECTRICAL DATA

| | |
|------------------------|--|
| Operating voltage | 12-230V |
| Operating voltage type | AC/DC |
| Protection class | Protection class 2 |
| Pollution degree | 3 |
| Overvoltage category | II |
| Isolation voltage | U _i = 250V; U _{imp} = 2.500V |
| Power illuminant | max. 25W |

OPTICAL DATA

| | |
|----------------------|-----------------|
| Light colour | White |
| Service life optical | depends on bulb |

APPROVAL DATA

| | |
|------------------------------|-----|
| Conforms with CE | Yes |
| Conforms with RoHS directive | Yes |
| WEEE | Yes |
| Conforms with ATEX-directive | No |



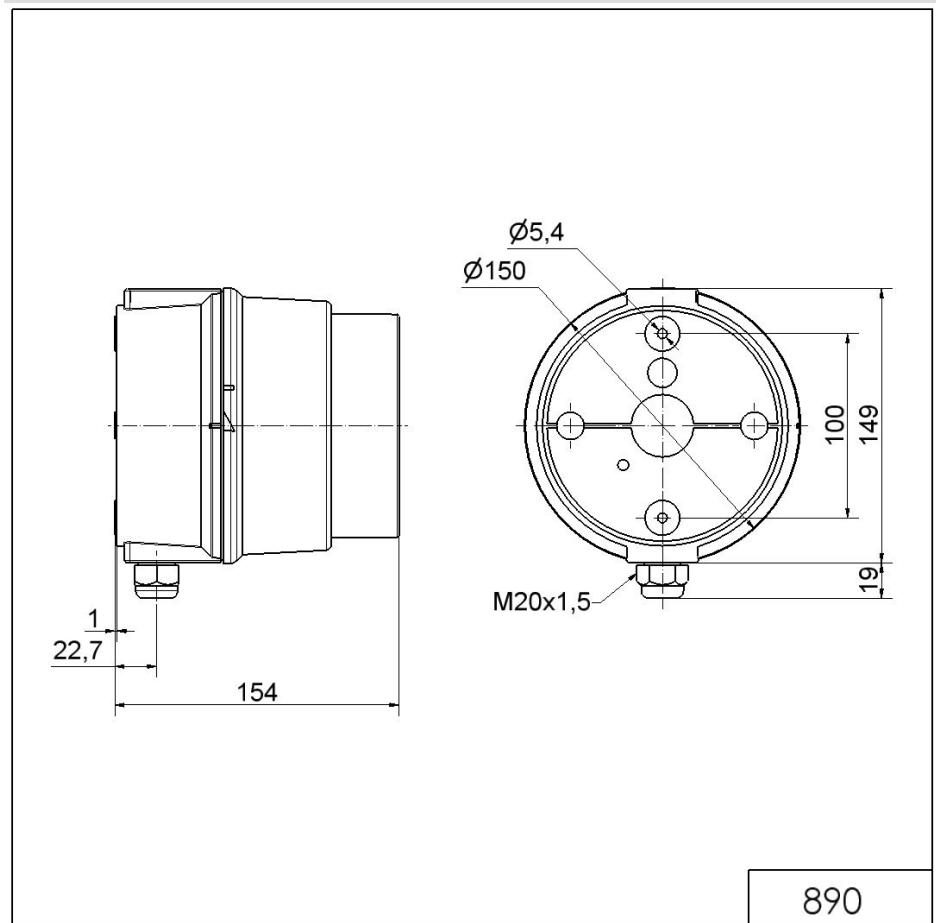
For additional installation and mounting information, refer to the appropriate user guide at www.werma.com. This printed copy is for information only and is subject to alteration.

Traffic Lights / Permanent-/ Traffic Light 890

Permanent Beacon BWM 12-230VAC/DC CL

| | |
|-------------------------------|-----------------------|
| Conforms with CCC | Yes |
| Conforms with UL | No |
| Conforms with FCC | No |
| Conforms with IC | No |
| EAC certificate available | Yes |
| Conforms with UKCA (Importer) | Yes (WERMA (UK) Ltd.) |
| Conforms with AS-I | No |
| ICAO Certification | No |
| Conforms with DNV | No |
| Conforms with RoHS CN | No |
| Conforms with VdS | No |

DRAWING



! For additional installation and mounting information, refer to the appropriate user guide at www.werma.com. This printed copy is for information only and is subject to alteration.