

# Product Data Sheet

## DX40325

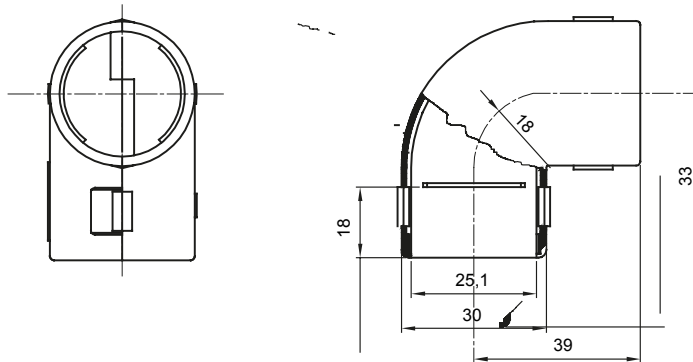
RK Range



Routing components for rigid protective conduits with IP40 and IP67 protection degree.

Colour	Grey RAL 7035	IP degree	IP40
Conduits Ø (mm)	25	Electrocod	21221

### DIMENSIONAL



### TECHNICAL SYMBOLOGY

# IP

IP40

### STANDARDS/APPROVALS

