

**Use**

It allows the ON/OFF control of two or more connected devices for the lighting control. Surface installation with repositionable stickers (supplied) or onto a flush mounting box. Integrated LED for low battery indication. - 2 modules

**Standards and approvals**

The undersigned, BTICINO, declares that the radio-electric equipment type (L-N-NT4003DCW) complies with directive 2014/53/EU. The full text of the EU declaration of conformity is available on the following website: [www.bticino.it/red](http://www.bticino.it/red)

**Range**

**Designation**

**Cat. Nos.**

Wireless lighting and socket control, for ON/OFF, dimmer, centralisation function.  
Supplied complete with battery.  
Equipped with an LED indicator (configuration) and a RESET button (hidden) used to return to factory settings.  
Repositionable self-adhesive fixings supplied.

- N4003DCW
- NT4003DCW
- L4003DCW

**Colours code:**

- White
- Tech
- Anthracite

**Technical characteristics**

**- Mechanical characteristics**

Protection against impacts: IK 02  
Protection against solid bodies/liquids: IP 20 without plate or rocker plate

**- Material characteristics**

Mechanism casing with grid: Fibreglass-reinforced (10 %) PC  
Mechanism functional cover: PC/ABS  
Supporting base: fibreglass-reinforced PA (60%)

Halogen-free  
UV resistant

Self-extinguishing: 650°C/30 s

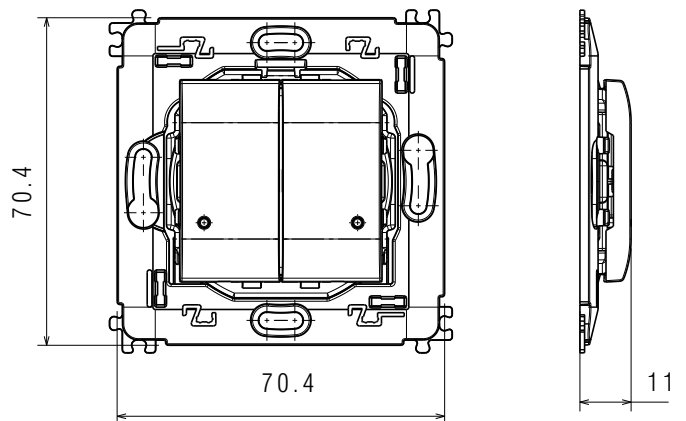
**- Electrical characteristics**

Powered by a CR2032 - 3 V lithium battery (supplied)  
Battery life: 8 years for 10 activations a day  
**ZigBee radio technology** frequency: 2.4 GHz to 2.4835 GHz  
Power level: REC 70-03: < 20 dBm  
Wireless mesh network, self-adaptive and secure (AES 128), conforming to standard IEEE 802.15.4 (LR-WPAN)

**- Climate characteristics**

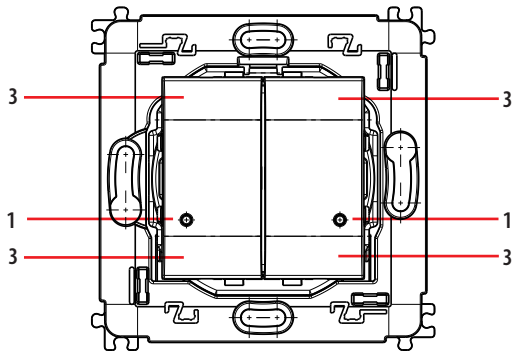
Usage temperature: +5°C to +45°C  
Storage temperature: 0°C to +45°C

**Overall dimensions (mm)**

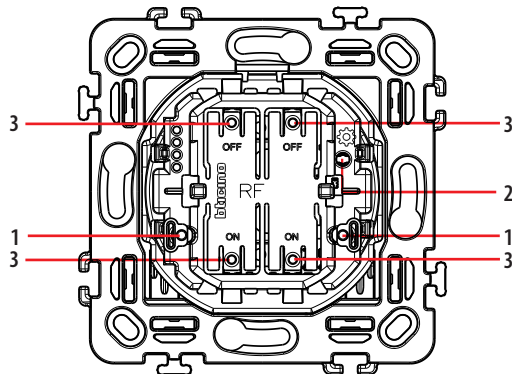


**Operation**

Front view



Front view without coverkey



**Legend**

- 1. LED indicator: useful during installation
- 2. RESET button used to return to factory settings
- 3. Control pushbutton

**Cleaning**

Clean the surface with a cloth.  
Do not use acetone, tar-removing cleaning agents or trichloroethylene.

**Caution: Always test before using special cleaning products.**

The plates must not be painted.



Take care to recycle the battery appropriately.

RAEE/WEEE: [bticino.com/disposal](http://bticino.com/disposal)