

- For use in Ex zones 1 and 2 (gases, vapours, mists) as well as Ex zones 21 and 22 (dusts)
- Tested according to explosion group IIB
- Time-saving installation – no need to deactivate systems/areas for welding or drilling work

SCK EX BRS ASSM10 V2A (540 810)

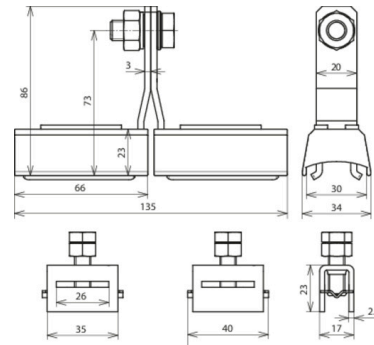
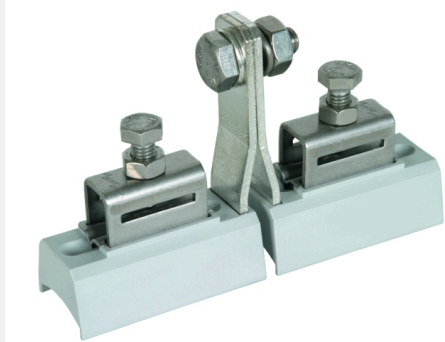


Figure without obligation



Arrangement:

Type	SCK EX BRS ASSM10 V2A
Part No.	540 810
Lightning impulse current (10/350 µs) Cu (I _{imp})	50 kA
Lightning impulse current (10/350 µs) St/tZn (I _{imp})	50 kA
Lightning impulse current (10/350 µs) StSt (I _{imp})	25 kA
Class of lightning current carrying capability acc. to EN 62561-1	N
Connection	M10
Clamping range pipe Ø	27 (3/4")-500 mm
Material of clamping body	polyamide
Material of grip head / tensioning strap	StSt
Material of contact piece	Cu/gal Sn
Design	UV-stabilised
Standard	EN 62561-1
Weight	550 g
Customs tariff number	85389099
GTIN	4013364115484
PU	1 Stk

We reserve the right to introduce changes in performance, configuration and technology, dimensions, weights and materials in the course of technical progress. The figures are shown without obligation.

With regard to corrosion resistance, it must be checked whether the materials used for the Ex pipe clamps, Ex BRS ... (e.g. Cu/galSn, brass/galSn, StSt, polyamide) can be used in the existing ambient conditions.