

Fiber Laser Marker

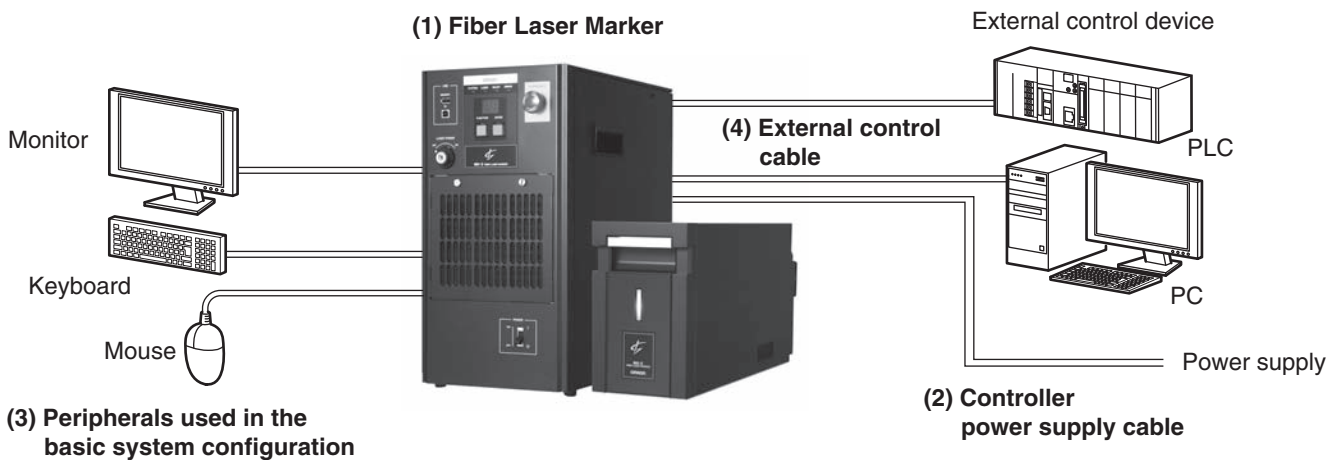
MX-Z2000H-V1 series

Great for either deep or shallow engraving in metals, marking on plastics/resins or plastic films, and for fine processing. Mark anything from electronic parts to automotive parts.

- High Speed and High Quality for a Wide Variety of Applications
<Marking Flexibility>
- Enhanced functionality Improves Productivity
<Connectivity & Traceability>
- Withstands Severe Ambient Conditions and Meets International Standards
<Durability/Safety>




System Configuration



MX-Z2000H-V1

Ordering Information

(1) Fiber Laser Marker

Appearance	Marking area	Working distance	Model
	90 × 90 mm	170 ±10 mm	MX-Z2000H-V1
	160 × 160 mm	220 ±10 mm	MX-Z2050H-V1
	160 × 160 mm	220 ±10 mm	MX-Z2055H-V1 *



* Faster marking for resins and plastics films (It is a specification with a thicker marking line width)

Optional Products (Sold Separately)

An activation key is required to use EE mode (Energy Enhanced Mode)

Description	Model
Energy Enhanced mode (License)	MX-9230

(2) Controller power supply cable

Appearance	Item	Length	Model
	(PSE, UL) plug type B	2.9 m	MX-9301
	(VDE, AS) plug type F	2.9 m	MX-9302

Note: The MX-9301 can be used as a PSE (Japan) or UL (USA)/CSA (Canada) compliant cable.

The MX-9302 can be used as a VDE (Germany) or AS (Australia) compliant cable.

When using this product in a country or region that cannot use the MX-9301/MX-9302 prepare the appropriate cable suitable for use in your country or region according to country/regional regulations.

(3) Peripherals used in the basic system configuration


The following peripherals are used in the basic system configuration. Prepare them as necessary.

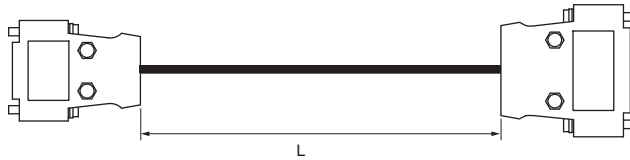
Item name	Specification
Monitor	<ul style="list-style-type: none">DVI-D input specificationVGA input specification (15-pin, 3 rows) Number of pixels: 1,024 × 768 pixels or more (Recommended)
Keyboard	USB connector specification (standard-A connector in rear face of controller)
Mouse	USB connector specification (standard-A connector in rear face of controller)

(4) External control cable

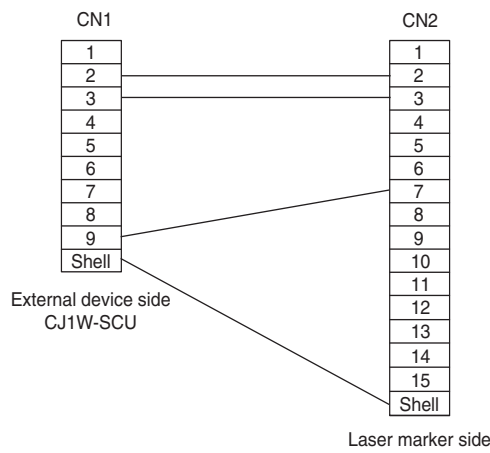
RS-232C cable (connected to CJ series)

A cable that connects to the controller RS-232C / RS-422A serial port (D-sub-15-pin connector).

Appearance	Length (L)	Model
	5 m	MX-9160-5M




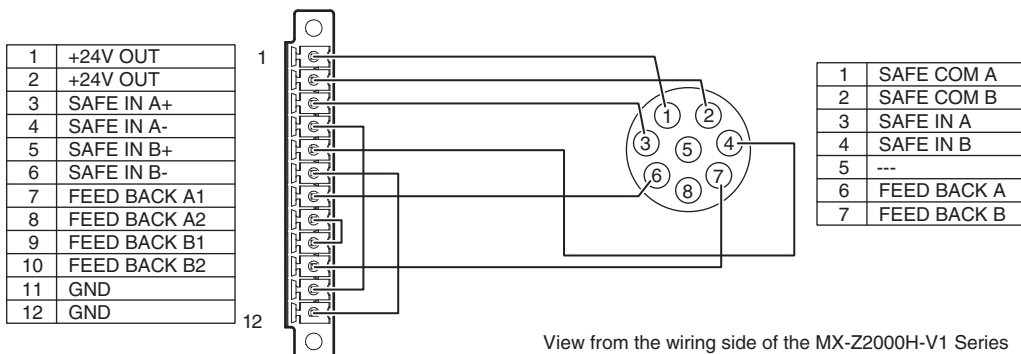
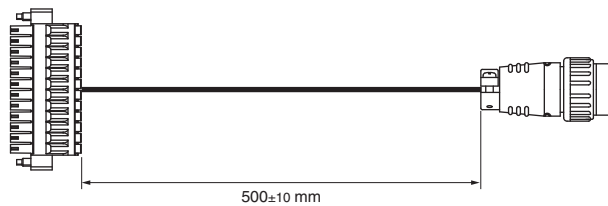
Wiring Diagram



Interlock conversion cable for MX-Z2000H series

By using MX-9161 for the MX-Z2000H series interlock connector, it is possible to make it compatible with the MX-Z2000H-V1 connector.









Appearance	Model
	MX-9161



View from the wiring side of the MX-Z2000H-V1 Series

MX-Z2000H-V1

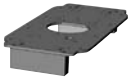

Replacement and maintenance parts

Appearance	Item	Model
	Air filter for controller	MX-9011
	For MX-Z2000H series fan for marker head	MX-9022
	For MX-Z2000H series fan for marker controller	MX-9023
	For MX-Z2000H series cover glass bracket (W)	MX-9034
	Cover glass	MX-9031
	Bracket releaser	MX-9032
	Marker head power supply cable	MX-9410
	Marker head control cable	MX-9411

- Note:**
1. These are dedicated parts for the MX-Z2000H-V1 series and MX-Z2000H series.
 2. For parts replacement, refer to *Fiber Laser Marker MX-Z2000H Series Setup Manual* (Man. No. Z415).
 3. Be sure to use replacement parts meeting the above specifications. Use of a part not meeting the applicable specification may cause the system to fail. If you have any question, contact OMRON.

Finder function option equipment

Please refer to *Finder Option catalogue* (Cat. No. Q255) to select image processing system.

Appearance	Item	Description	Model
	Camera attachment	For MX-Z2000	MX-9150
		For MX-Z2050/Z2055	MX-9151
	Camera mount	For FQ2 camera	MX-915A-FQ2
		For FZ/FH camera	MX-915A-FZ
		For FZ/FH camera (500 M pixels)	MX-915A-S5M2

Masking set

This product is to be used according to the built-in form when incorporating laser marker MX-Z2000H series into equipment compatible with machine instructions (2006/42/EC) EN60204-1.

Description	Model
Button operation part (white) x 2, light-shielding tape, control stop button cover	MX-9190

Protective Goggles

Use protective goggles with an optical density (OD value) of 6 or more for a wavelength of 1064 nm and which can be used to confirm laser radiation warnings.

MX-Z2000H-V1

Specifications

Item	Specification		
	MX-Z2000H-V1	MX-Z2050H-V1/ MX-Z2055H-V1 *1	
Processing laser	Type	Fiber laser Wavelength: 1,062 nm	
	Laser class	Class 4 (JIS C6802 2014)	
	Average output	20 W (Fiber laser transmitter output)	
	Laser output mode	Standard mode/EE mode *2	
	Repetition frequency	Standard mode 10 kHz to 1,000 kHz in 0.1-kHz steps EE mode *2, 10 kHz to 100 kHz in 0.1-kHz steps	
	Pulse-train width (pattern) setting	Standard mode 7.5 to 300 ns (15 patterns) EE mode *2, 150 to 450 ns (3 patterns)	
Guide laser and focus pointer	Type	Semiconductor laser Wavelength: 655 nm	
	Laser class	Class 2 (JIS C6802 2014)	
Optical specifications	Marking area	90 × 90 mm	160 × 160 mm
	Working distance	170 ± 10 mm	220 ± 10 mm
Scanning specifications	Scan speed	1 to 12,000 mm/s	
	Marking resolution	2 μm	4 μm
Details of marking	Text	Type: English alphabet (upper/lower case letters) / numbers / symbols / hiragana / katakana / kanji (JIS level 1, level 2) / other languages (UNICODE (Basic Multilingual Panel)) Printable fonts: • TrueType font • Stroke font (original / original2 / OCR-A / OCR-B / SEMI / LM font)	
	Bar code	CODE39/NW-7/ITF/CODE128/JAN GS1 Databar Omni-directional/GS1 Databar Truncated/ GS1 Databar Limited/GS1 Databar Expanded	
	2D code	QR code / Micro QR code / DataMatrix (ECC200) / GS1 DataMatrix (ECC200)	
	Shape	Fixed point / Straight line / Rectangle / Circle / Arc	
	3D shapes	Slope / Step / Cylinder / Truncated Cone / Sphere	
	Image and CAD	BMP / JPG / PNG / DXF	
Setting	Number of marking data registrations	10,000	
	Number of block registrations	2,048	
	Text setting (setting interval)	0.1 to 120 mm (0.001 mm)	
Cable	Fiber cable	4.5 m, Minimum bending radius: 100 mm	
	Marker head control cable Marker head power supply cable	5 m, Minimum bending radius: 100 mm	
External interface	Terminal block and I/O connector	Terminal block input: 20 pins (NPN/PNP) Terminal block output: 14 pins (NPN/PNP) I/O connector input/output: 37 pins (NPN/PNP) Interlock terminal: input/output 12 pins	
	Serial communications	RS-232C / RS-422A	
	Ethernet communication	No procedure (TCP), EtherNet IP™ 1000BASE-T, 100BASE-TX, 10BASE-T	
Power supply voltage	100 to 120 VAC Frequency 50/60 Hz 200 to 240 VAC Frequency 50/60 Hz		
Overvoltage category	II		
Power consumption	At 100 VAC: Maximum 390 VA At 200 VAC: Maximum 420 VA		
Environmental resistance	Operating temperature *3	0 to 40 °C	
	Operating humidity	35 to 85% RH (No condensation)	
	Storage temperature	-10 to 60 °C (No freezing)	
	Storage humidity	35 to 85% RH (No condensation)	
	Operating height above sea level	3000 m max.	
Pollution degree	2		
Protective structure (head)	IP65 *4 *5		
Cooling method	Forced air cooling		

Item	Specification	
	MX-Z2000H-V1	MX-Z2050H-V1/ MX-Z2055H-V1 *1
Weight	Marker head	Approx. 15 kg
	Controller	Approx. 25 kg
Size	Marker head	W140 × H230 × D415 mm (excluding projections)
	Controller	W225 × H430 × D390 mm (excluding projections)
Installation direction	Marker head	All directions of up, down, left and right (Intake vent on the left side face must not be blocked.)
	Controller	Must be installed vertically.
USB interface *6	<ul style="list-style-type: none"> • For USB memory (standard-A connector in front face of controller) • For keyboard/mouse (standard-A connector in rear face of controller) 	
Attached software *7	<ul style="list-style-type: none"> Offline editing software • Font logo editor *8 	

*1. Bold specifications

*2. EE mode: Energy Enhanced mode (optional)

To use EE mode, you need the EE mode activation key MX-9230.

*3. Continuously emitting a laser beam for a long time will cause the internal head temperature to rise. This could cause the protection function to stop marking. If the protection function operates, wait some time before using the laser again, or use air conditioning or the like to lower the ambient temperature prior to use.

*4. The electronic and optical components of the head are placed within an IP65 enclosure.

*5. The head of this product has a protective structure that withstands harsh environment under specified conditions such as the environment, length of time, and testing methods listed in IEC 60529 (JIS C 0920). Its operations under conditions other than specified are not guaranteed.

*6. Do not use the USB interface for anything other than specified. Also, do not connect anything to the type B connector on the front of the controller.

*7. The following environment is needed to operate the "offline editing software" and "font logo editor."

[Compatible functions] PC with USB port [Compatible OS] Microsoft Windows®7/8/8.1/10 [CPU and memory] Depends on OS specification

[Free hard disk space] At least 1 GB [Display resolution] At least 1,024 × 768 pixels

*8. Only the Shift-JIS character codes can be saved with the Font logo editor.

MX-Z2000H-V1

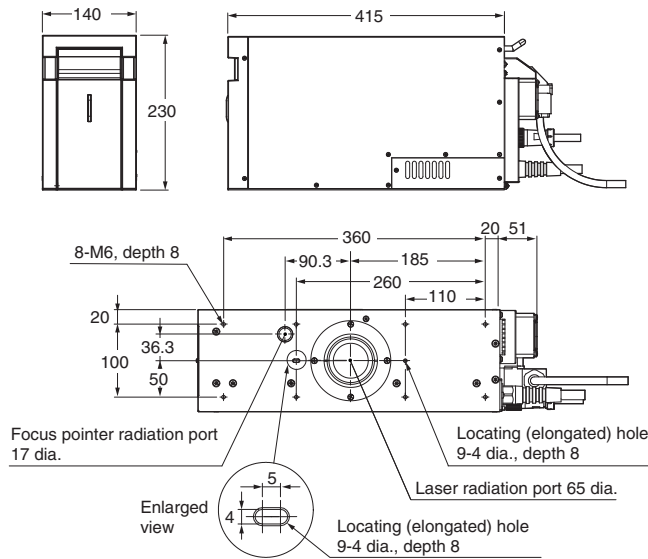
Dimensions

(Unit: mm)

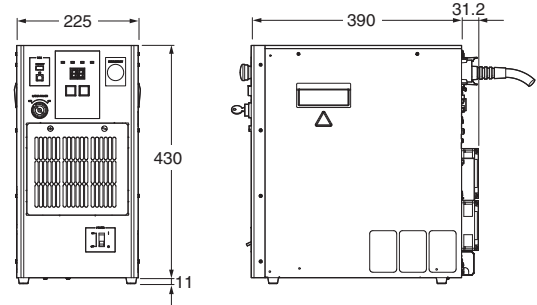
Fiber Laser Marker

MX-Z2000H-V1

Marker head

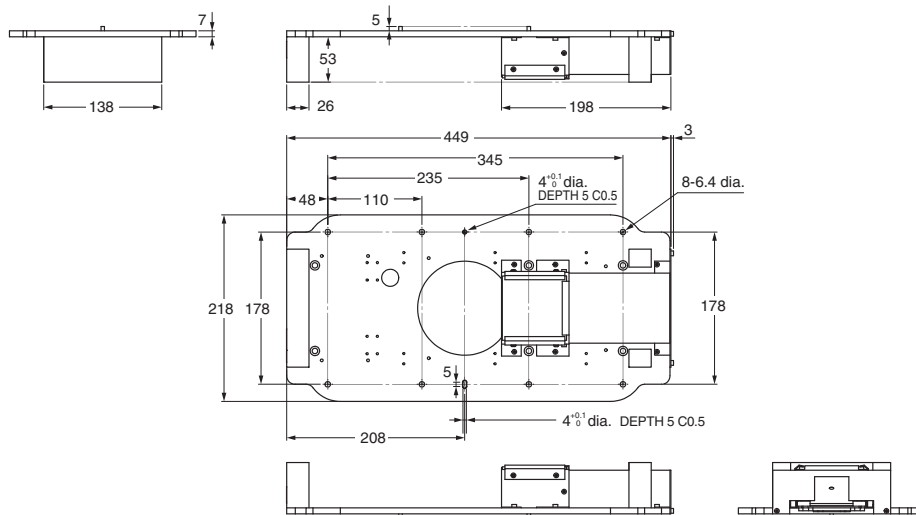


Controller



Camera Attachment

MX-9150/9151



Related Manuals/Catalogs

Man.No	Model number	Manual
Z415-E1	MX-Z2000H-V1	Fiber Laser Marker Setup manual
Z416-E1	MX-Z2000H-V1	Fiber Laser Marker User's manual
Z378-E1	MX-9150/9151	Camera Attachment Setup Manual
Q255-E1	MX-Z2000H	Finder Option for the MX-Z2000H Series Fiber Laser Markers

<p>危険—可視及び不可視レーザー放射</p> <p>ビームや散乱光が目又は皮膚への灼傷を生じ得る。</p> <p>Y0: Fiber laser 最大出力: 30W 最大ピークパワー: 30kW パルス幅: 1.500ms 波長: 1062nm クラス4 レーザ製品 JIS C 8802:2014</p>	<p>ANGER—VISIBLE AND INVISIBLE LASER RADIATION</p> <p>AVOID EYE OR SKIN EXPOSURE TO DIRECT OR SCATTERED RADIATION.</p> <p>Y0: Fiber laser Maximum output: 30W Maximum peak power: 30kW Pulse duration: 1.500ms Wavelength: 1062nm CLASS 4 LASER PRODUCT EN60825-1:2014 (A1.1.2021)</p>
<p>読む/使用する際のこと</p> <p>この開口から可視 (クラス2) 及び不可視 (クラス4) レーザ放射が出る</p>	
<p>AVOID EXPOSURE</p> <p>CLASS 2 VISIBLE AND CLASS 4 INVISIBLE LASER RADIATION IS EMITTED FROM THIS APERTURE.</p>	

- EtherNet/IP™ is a trademark of ODVA.
- Microsoft and Windows are either registered trademarks or trademarks of Microsoft Corporation in the United States and/or other countries.
- QR code is the registered trademark of DENSO WAVE.
- Other company names and product names in this document are the trademarks or registered trademarks of their respective companies.

Terms and Conditions Agreement

Read and understand this catalog.

Please read and understand this catalog before purchasing the products. Please consult your OMRON representative if you have any questions or comments.

Warranties.

- (a) Exclusive Warranty. Omron's exclusive warranty is that the Products will be free from defects in materials and workmanship for a period of twelve months from the date of sale by Omron (or such other period expressed in writing by Omron). Omron disclaims all other warranties, express or implied.
- (b) Limitations. OMRON MAKES NO WARRANTY OR REPRESENTATION, EXPRESS OR IMPLIED, ABOUT NON-INFRINGEMENT, MERCHANTABILITY OR FITNESS FOR A PARTICULAR PURPOSE OF THE PRODUCTS. BUYER ACKNOWLEDGES THAT IT ALONE HAS DETERMINED THAT THE PRODUCTS WILL SUITABLY MEET THE REQUIREMENTS OF THEIR INTENDED USE.

Omron further disclaims all warranties and responsibility of any type for claims or expenses based on infringement by the Products or otherwise of any intellectual property right. (c) Buyer Remedy. Omron's sole obligation hereunder shall be, at Omron's election, to (i) replace (in the form originally shipped with Buyer responsible for labor charges for removal or replacement thereof) the non-complying Product, (ii) repair the non-complying Product, or (iii) repay or credit Buyer an amount equal to the purchase price of the non-complying Product; provided that in no event shall Omron be responsible for warranty, repair, indemnity or any other claims or expenses regarding the Products unless Omron's analysis confirms that the Products were properly handled, stored, installed and maintained and not subject to contamination, abuse, misuse or inappropriate modification. Return of any Products by Buyer must be approved in writing by Omron before shipment. Omron Companies shall not be liable for the suitability or unsuitability or the results from the use of Products in combination with any electrical or electronic components, circuits, system assemblies or any other materials or substances or environments. Any advice, recommendations or information given orally or in writing, are not to be construed as an amendment or addition to the above warranty.

See <http://www.omron.com/global/> or contact your Omron representative for published information.

Limitation on Liability: Etc.

OMRON COMPANIES SHALL NOT BE LIABLE FOR SPECIAL, INDIRECT, INCIDENTAL, OR CONSEQUENTIAL DAMAGES, LOSS OF PROFITS OR PRODUCTION OR COMMERCIAL LOSS IN ANY WAY CONNECTED WITH THE PRODUCTS, WHETHER SUCH CLAIM IS BASED IN CONTRACT, WARRANTY, NEGLIGENCE OR STRICT LIABILITY.

Further, in no event shall liability of Omron Companies exceed the individual price of the Product on which liability is asserted.

Suitability of Use.

Omron Companies shall not be responsible for conformity with any standards, codes or regulations which apply to the combination of the Product in the Buyer's application or use of the Product. At Buyer's request, Omron will provide applicable third party certification documents identifying ratings and limitations of use which apply to the Product. This information by itself is not sufficient for a complete determination of the suitability of the Product in combination with the end product, machine, system, or other application or use. Buyer shall be solely responsible for determining appropriateness of the particular Product with respect to Buyer's application, product or system. Buyer shall take application responsibility in all cases.

NEVER USE THE PRODUCT FOR AN APPLICATION INVOLVING SERIOUS RISK TO LIFE OR PROPERTY OR IN LARGE QUANTITIES WITHOUT ENSURING THAT THE SYSTEM AS A WHOLE HAS BEEN DESIGNED TO ADDRESS THE RISKS, AND THAT THE OMRON PRODUCT(S) IS PROPERLY RATED AND INSTALLED FOR THE INTENDED USE WITHIN THE OVERALL EQUIPMENT OR SYSTEM.

Programmable Products.

Omron Companies shall not be responsible for the user's programming of a programmable Product, or any consequence thereof.

Performance Data.

Data presented in Omron Company websites, catalogs and other materials is provided as a guide for the user in determining suitability and does not constitute a warranty. It may represent the result of Omron's test conditions, and the user must correlate it to actual application requirements. Actual performance is subject to the Omron's Warranty and Limitations of Liability.

Change in Specifications.

Product specifications and accessories may be changed at any time based on improvements and other reasons. It is our practice to change part numbers when published ratings or features are changed, or when significant construction changes are made. However, some specifications of the Product may be changed without any notice. When in doubt, special part numbers may be assigned to fix or establish key specifications for your application. Please consult with your Omron's representative at any time to confirm actual specifications of purchased Product.

Errors and Omissions.

Information presented by Omron Companies has been checked and is believed to be accurate; however, no responsibility is assumed for clerical, typographical or proofreading errors or omissions.

Note: Do not use this document to operate the Unit.

OMRON Corporation Industrial Automation Company

Kyoto, JAPAN

Contact : www.ia.omron.com

Regional Headquarters

OMRON EUROPE B.V.

Wegalaan 67-69, 2132 JD Hoofddorp
The Netherlands
Tel: (31) 2356-81-300 Fax: (31) 2356-81-388

OMRON ELECTRONICS LLC

2895 Greenspoint Parkway, Suite 200
Hoffman Estates, IL 60169 U.S.A.
Tel: (1) 847-843-7900 Fax: (1) 847-843-7787

OMRON ASIA PACIFIC PTE. LTD.

438B Alexandra Road, #08-01/02 Alexandra
Technopark, Singapore 119968
Tel: (65) 6835-3011 Fax: (65) 6835-3011

OMRON (CHINA) CO., LTD.

Room 2211, Bank of China Tower,
200 Yin Cheng Zhong Road,
PuDong New Area, Shanghai, 200120, China
Tel: (86) 21-6023-0333 Fax: (86) 21-5037-2388

Authorized Distributor:

©OMRON Corporation 2021-2023 All Rights Reserved.
In the interest of product improvement,
specifications are subject to change without notice.

CSM_2_1

Cat. No. Q343-E1-02 1223 (0621)