


53806720	DATA SHEET	
Valid from: 02.12.2021	SKINTOP® INOX SC	

Hygienically designed cable gland from high-grade stainless steel is suitable for an extremely wide variety of applications – including the food and pharmaceutical industries. The material and shape meet the high requirements of these sectors. The smooth design minimizes the accumulation of moisture, dust, contamination or food residue. The cable gland also offers great benefits for other applications, where the ambient conditions are harsh, such as those sited offshore. The compact design, the variable clamping range and the same wrench sizes simplify installation. The SKINTOP® INOX SC is especially designed for copper-screened cables and is used to achieve a low-resistance screen contact.



Components:

Gland body	Stainless steel – V4A (1.4404 / 316L)
Cap nut	Stainless steel – V4A (1.4404 / 316L)
Insert with lamellar cage	Polyamide
Sealing ring	Silicone
Contact spring	CuBe, tin-plated
O-Ring	Silicone

Technical features:

Connecting thread	M12x1,5 up to M50x1,5 acc. to EN 60423
Protection class	Sizes M12, M16, M20: IP68 – 10 bar, test acc. to EN 60529 Sizes M25 up to M50: IP68 – 5 bar, test acc. to EN 60529 All sizes: IP69 acc. to EN 60529 NEMA Type 1, Type 2, Type 4X, Type 6, Type 12 acc. to UL50E
Temperature range	-40 °C up to +100 °C
Transfer impedance	≤ 10 mOhm
Chemical resistance	ECOLAB certification

Other characteristics:

Halogen-free
 Functional safety
 Optimal strain relief
 Variable clamping range

Certificates:



Norm References:



DIN EN ISO 14 159

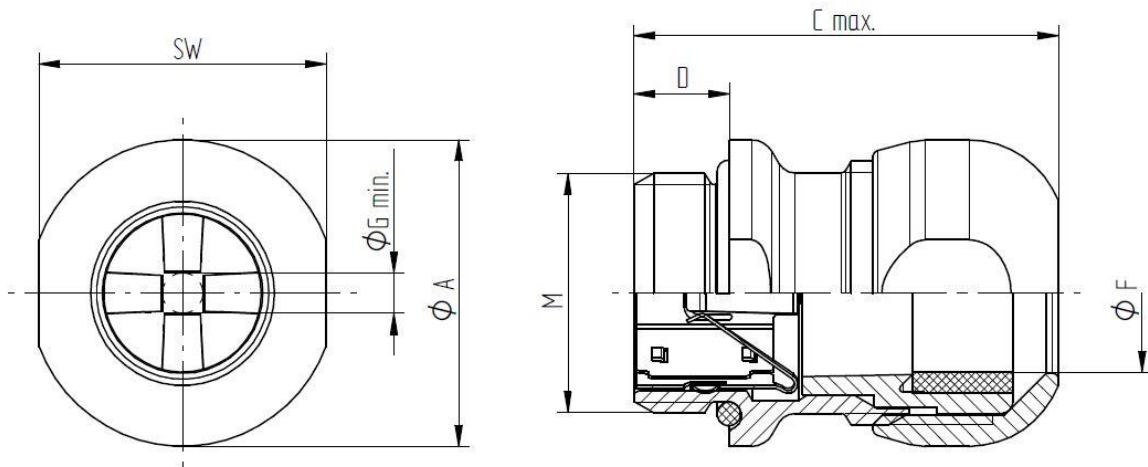
Safety of machinery - Hygiene requirements for the design of machinery

DIN EN 1672-2

Food processing machinery - Basic concepts -
 Part 2: Hygiene requirements

Creator: HYD01/PDP Released: DAMU1/PDP	Document: DB53806720EN Version: 07	Page 1 of 2
---	---------------------------------------	-------------

53806720	DATA SHEET	
Valid from: 02.12.2021	SKINTOP® INOX SC	



Article number	Article description	M	SW [mm]	Ø A [mm]	C max. [mm]	D [mm]	Ø F [mm] Clamping range	Ø G min [mm] over braid	O-Ring [mm]
53806720	SKINTOP INOX SC M 12	M12x1,5	16	17,2	29,3	6,5	4 - 7	2	9x2
53806722	SKINTOP INOX SC M 16	M16x1,5	20	21,4	32,4	7	6 - 10	4	13x2
53806724	SKINTOP INOX SC M 20	M20x1,5	24	25,6	35,5	8	7 - 13	5	17x2
53806726	SKINTOP INOX SC M 25	M25x1,5	29	30,8	39,2	8	9 - 17	7,5	22x2
53806728	SKINTOP INOX SC M 32	M32x1,5	36	38,2	44,6	9	11 - 21	9	28x2
53806731	SKINTOP INOX SC M 40	M40x1,5	45	48	51,2	9	19 - 28	15	36x2
53806732	SKINTOP INOX SC M 50	M50x1,5	54	58	56,2	10	27 - 35	21	46x2

For more information please see our current catalogue. Please do not hesitate to contact our laboratory if there are any questions regarding resistance against aggressive agents and special oil.

Creator: HYD01/PDP Released: DAMU1/PDP	Document: DB53806720EN Version: 07	Page 2 of 2
---	---------------------------------------	-------------