

# Product End-of-Life Instructions

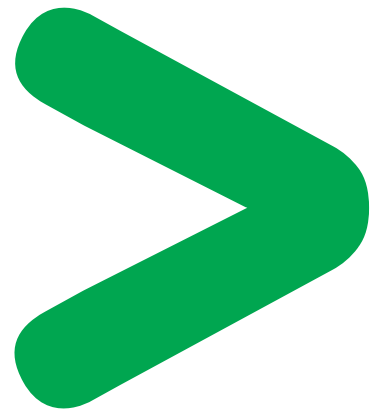
ALTIVAR 212 22-75kW / 380-480V / 3PH / IP55

## Product Range

ALTIVAR 212 22-75kW / 380-480V / 3PH / IP55

## Marketing Model

ATV212WD22N4 and all models of this Product Family



### Size in mm:

W x H x D : 284 x 720 x 315

### Weight in kg:

29



**Schneider**  
Electric

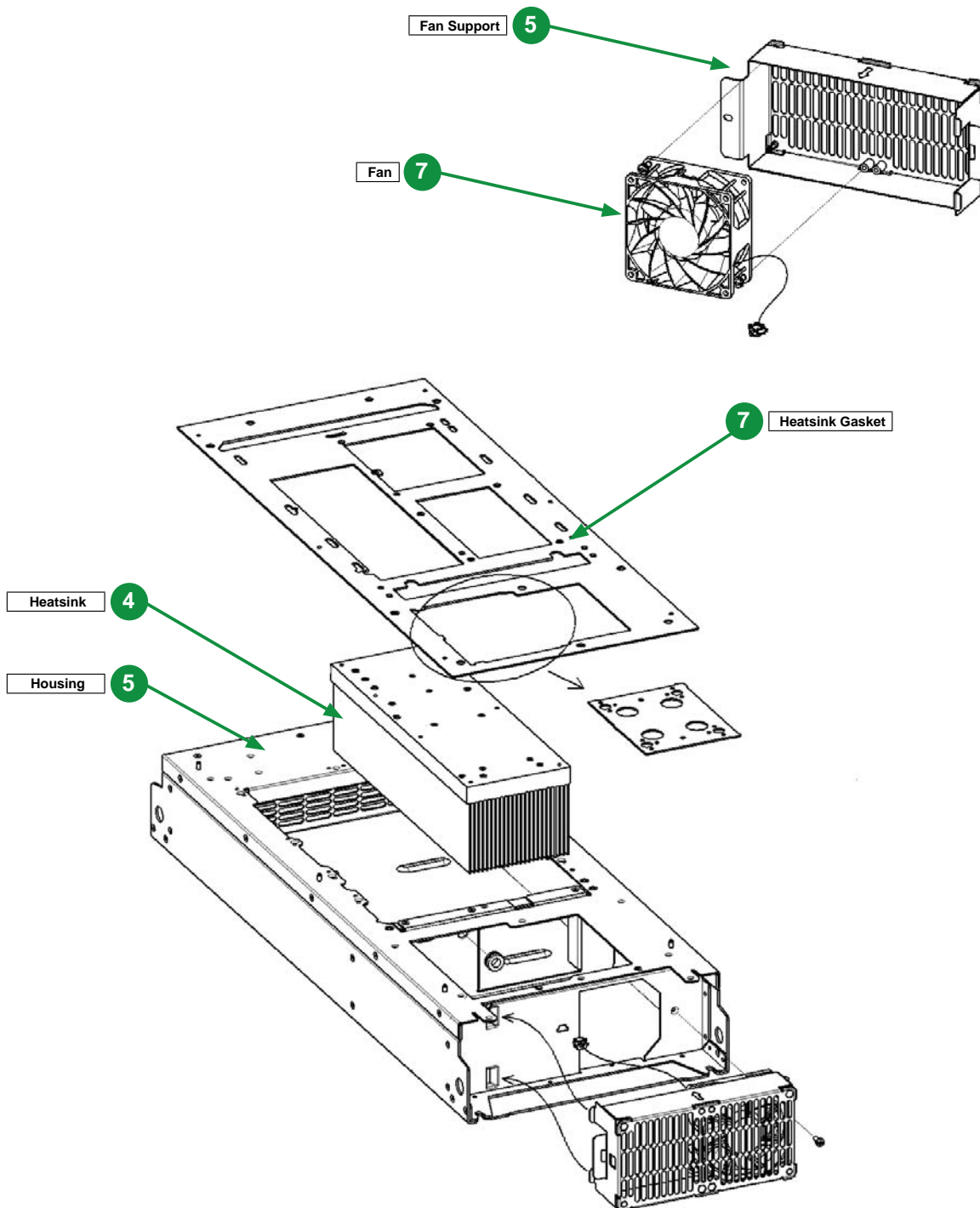
## Operations recommended for the end of life treatment

There are several steps to process the products at the end of life so as to recover components, materials or energy :

**Reuse ⇒ Depollution ⇒ Dismantling ⇒ Shredding**

The components of the products that are recommended to be depolluted (according to the WEEE 2002/96/EC list) or that are recommended to be re-used or dismantled so as to improve the material recovery or that lead to some hazards are listed, identified and located hereunder.

This ATV212 contains electrolytic capacitors which may cause electrical shock during the end of life treatment process. **BEFORE SERVICING, REMOVE ALL POWER and WAIT 15 MINUTES.**

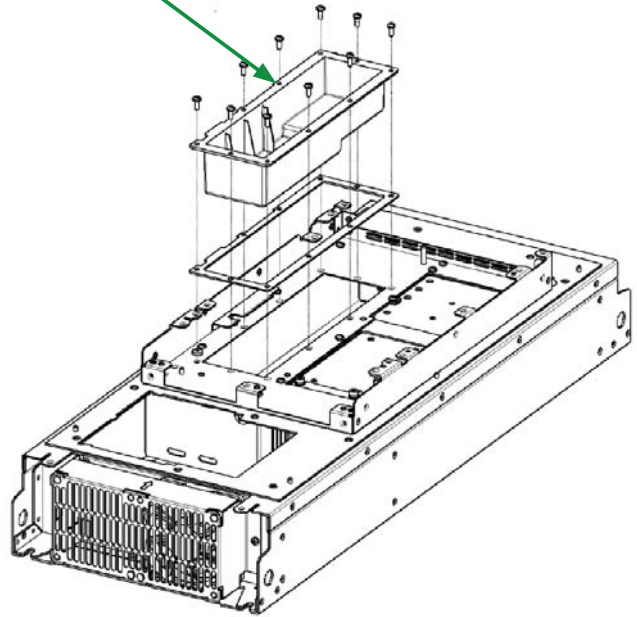
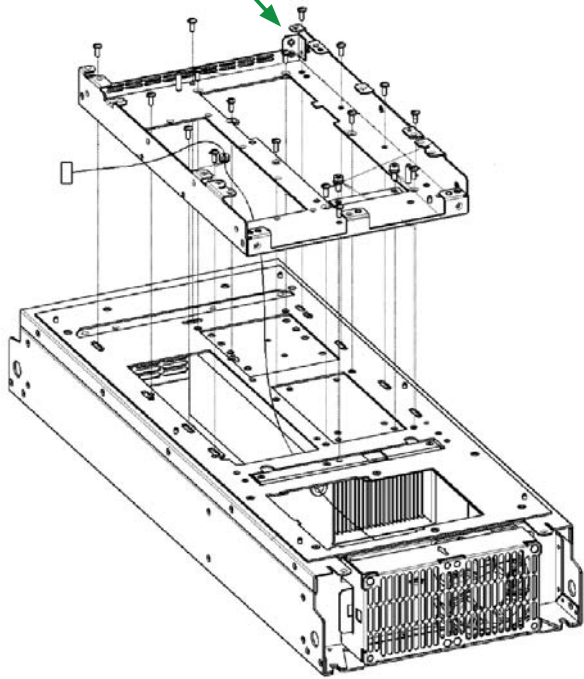


Chassis

5

Capacitor

3



Power Relay

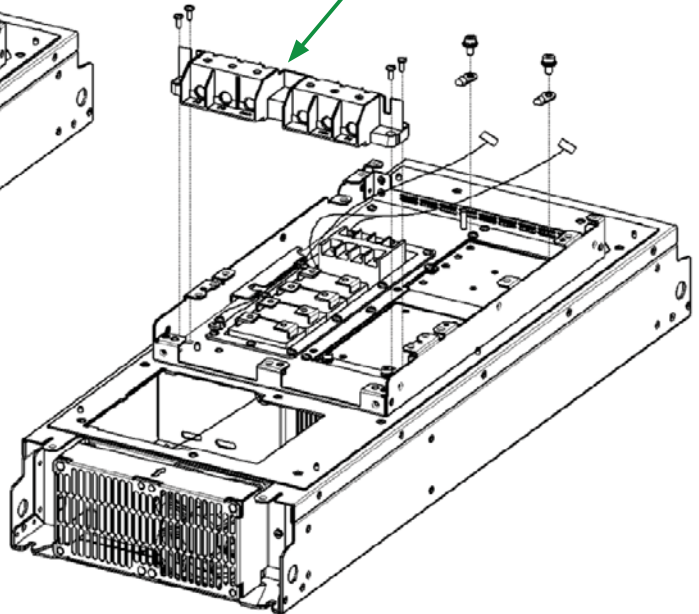
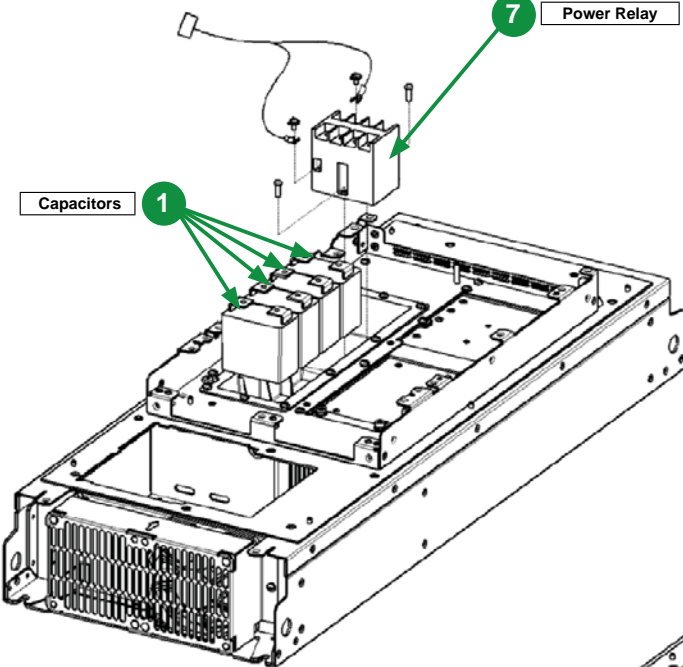
7

Capacitors

1

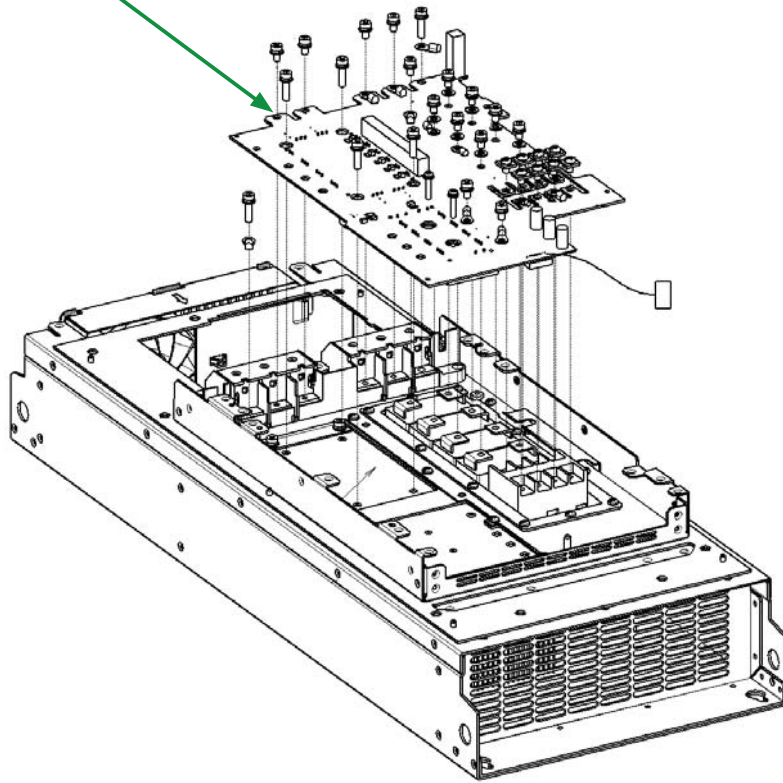
Terminal Block

7



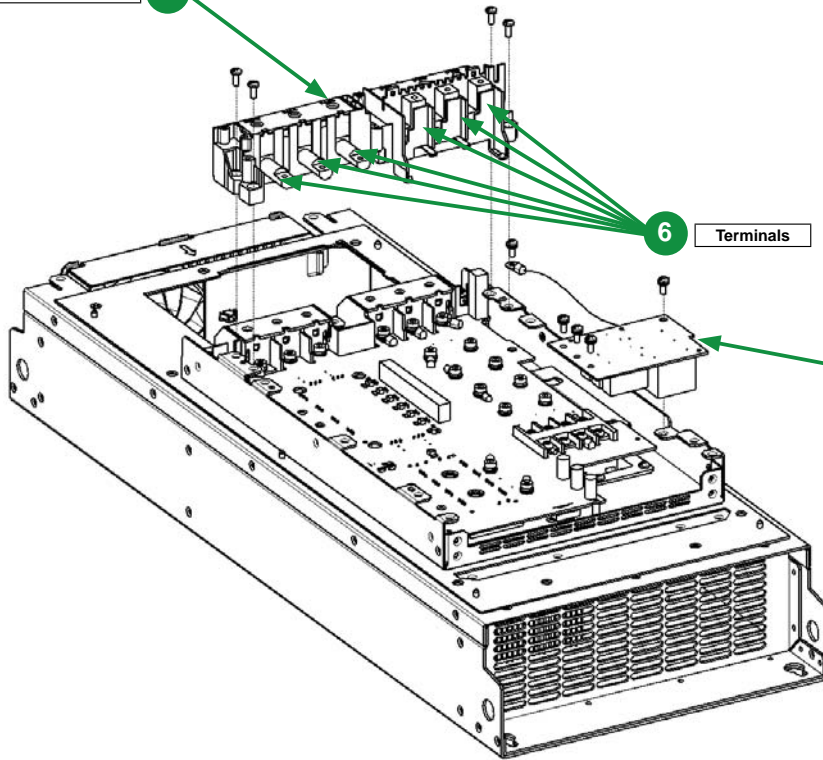
Bus PCBA

2



Terminal Block

7

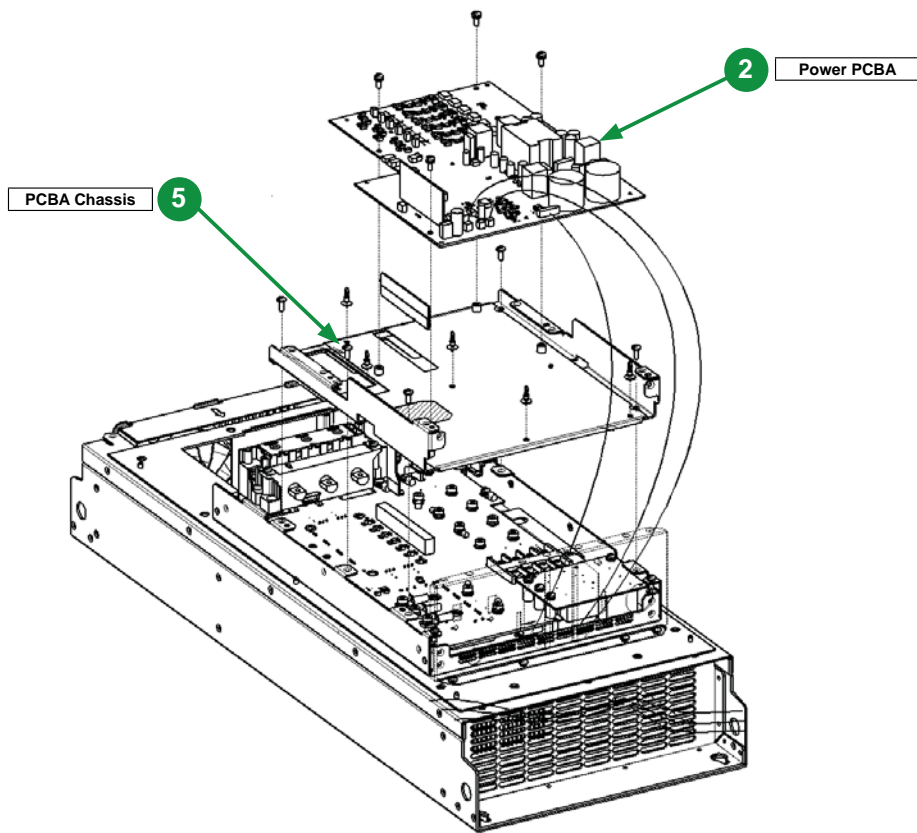
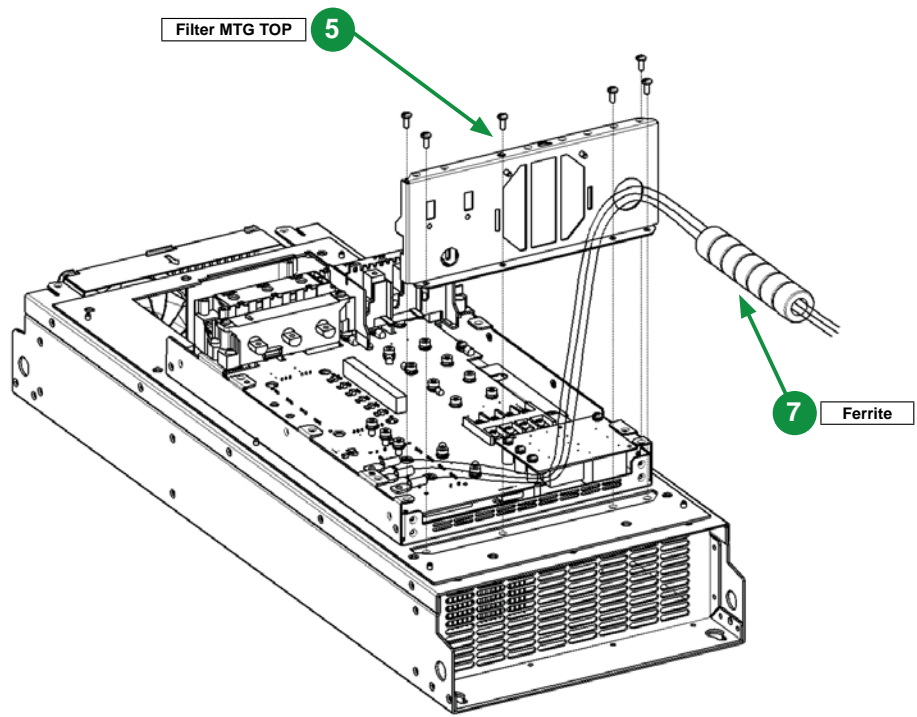


6

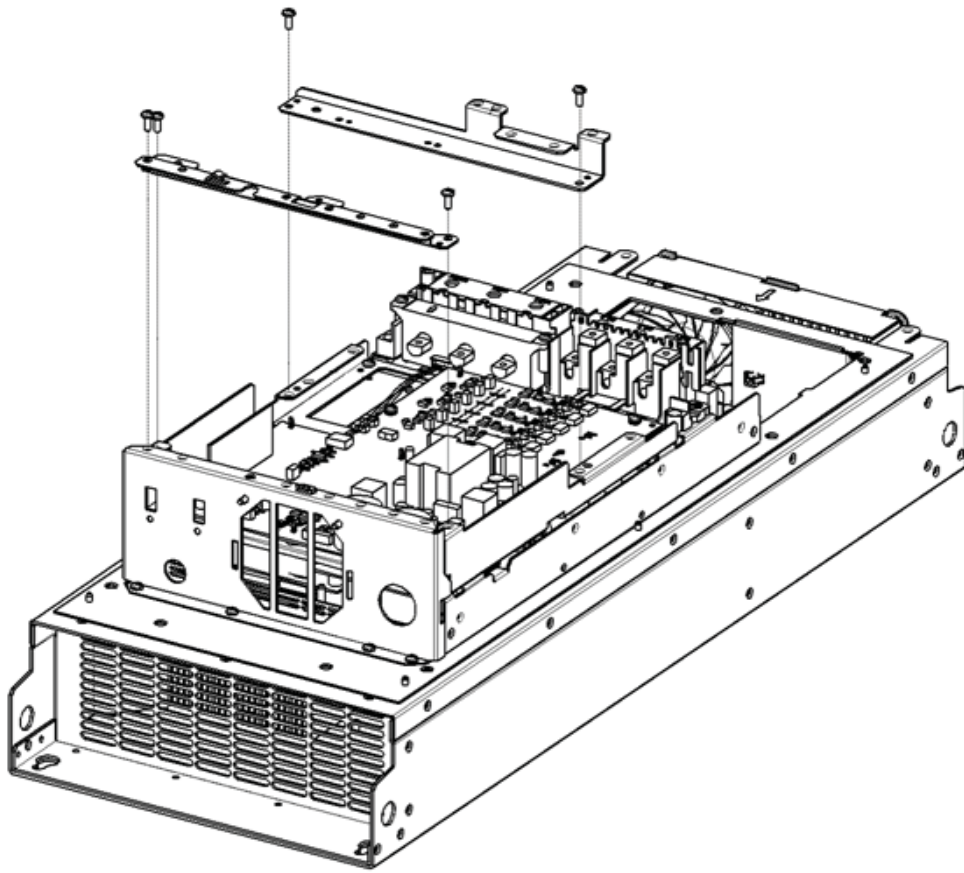
Terminals

2

Filter 2 PCBA

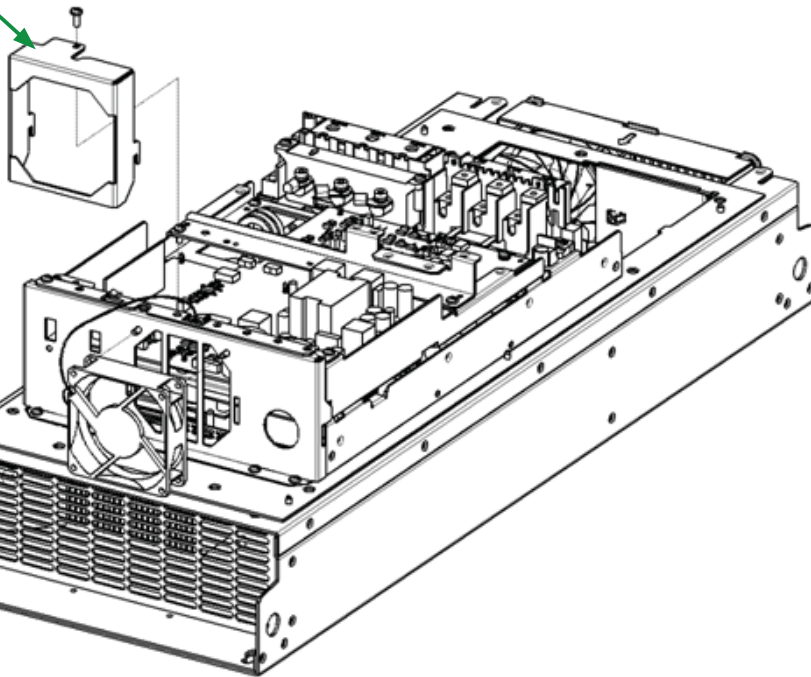






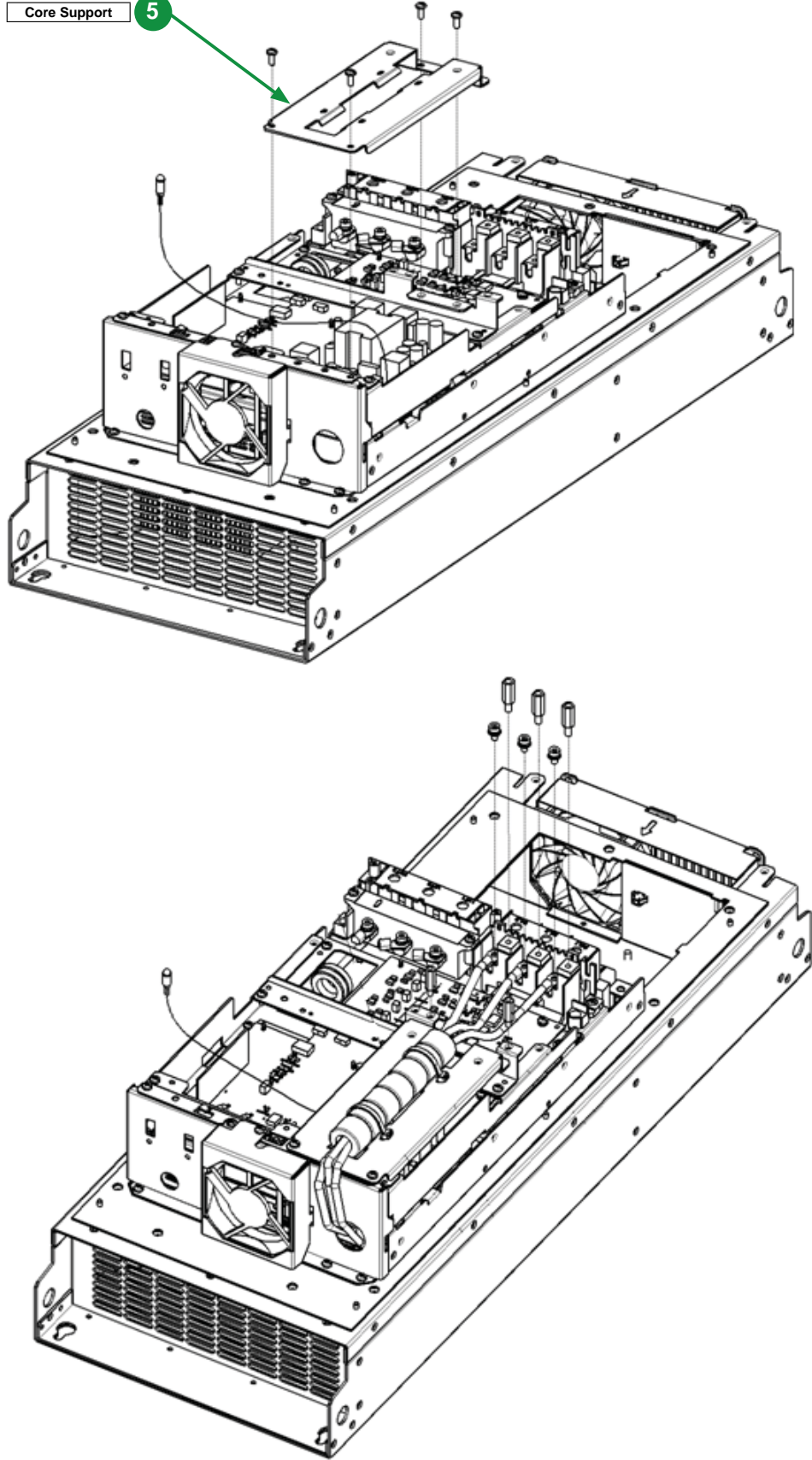
Fan Mount Plate

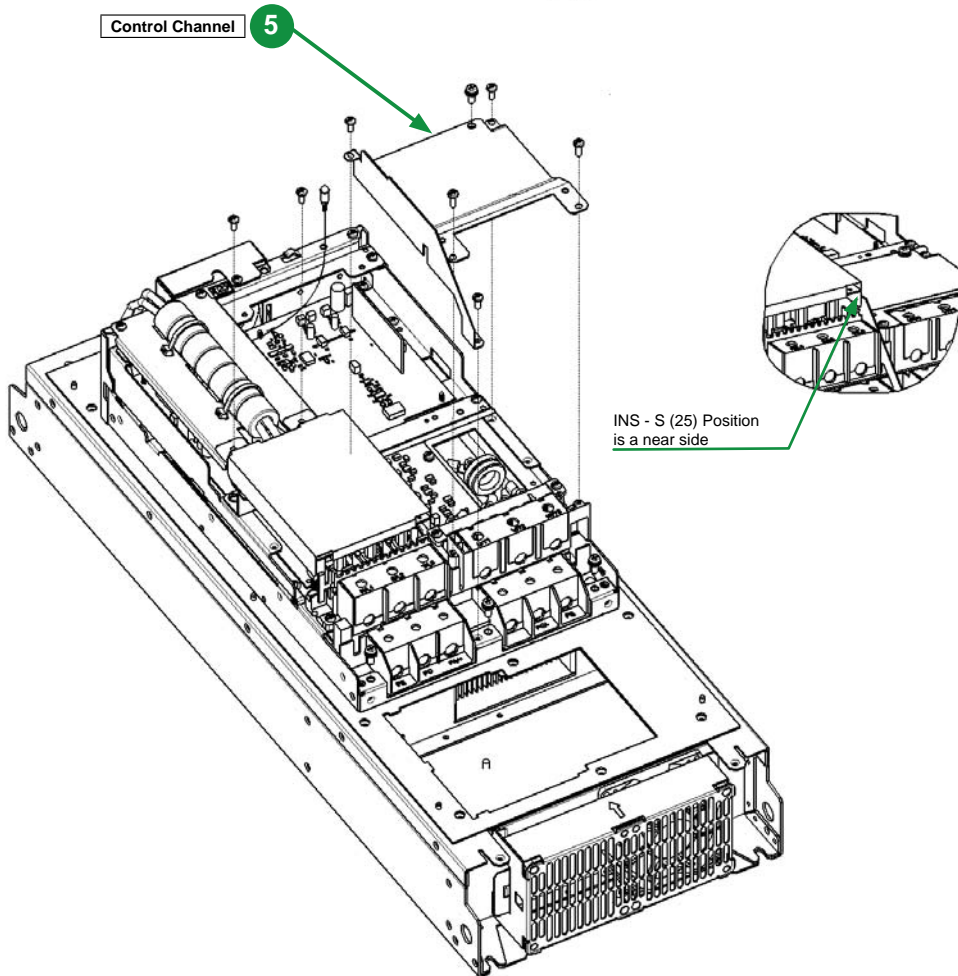
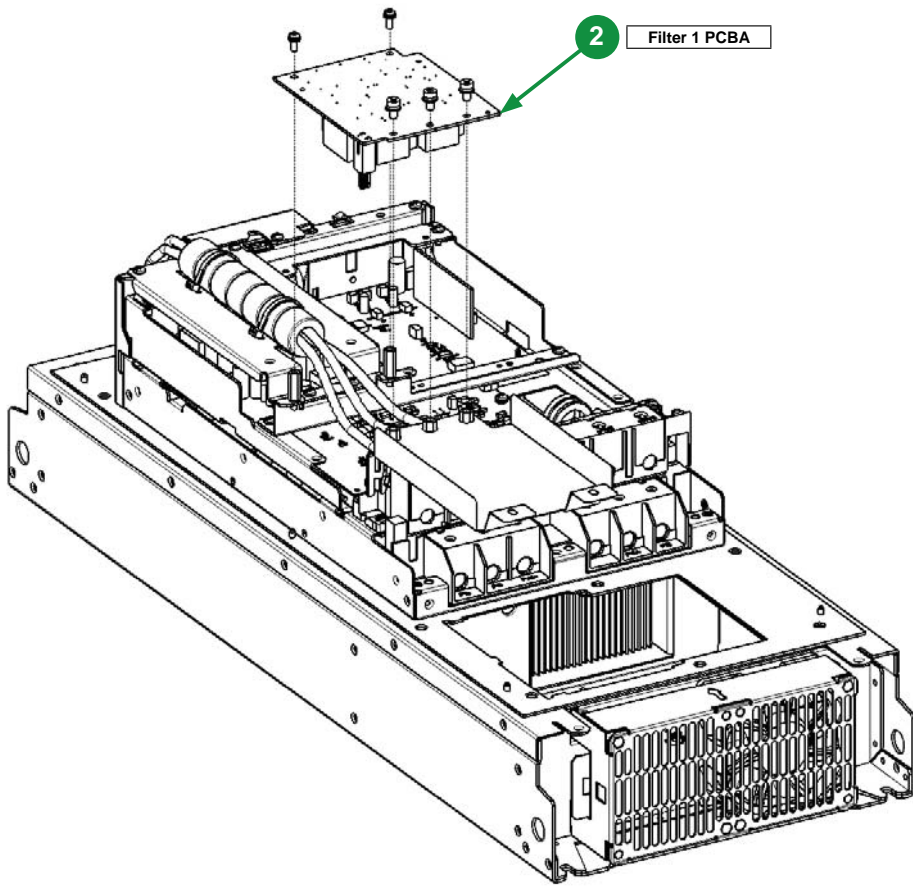
5



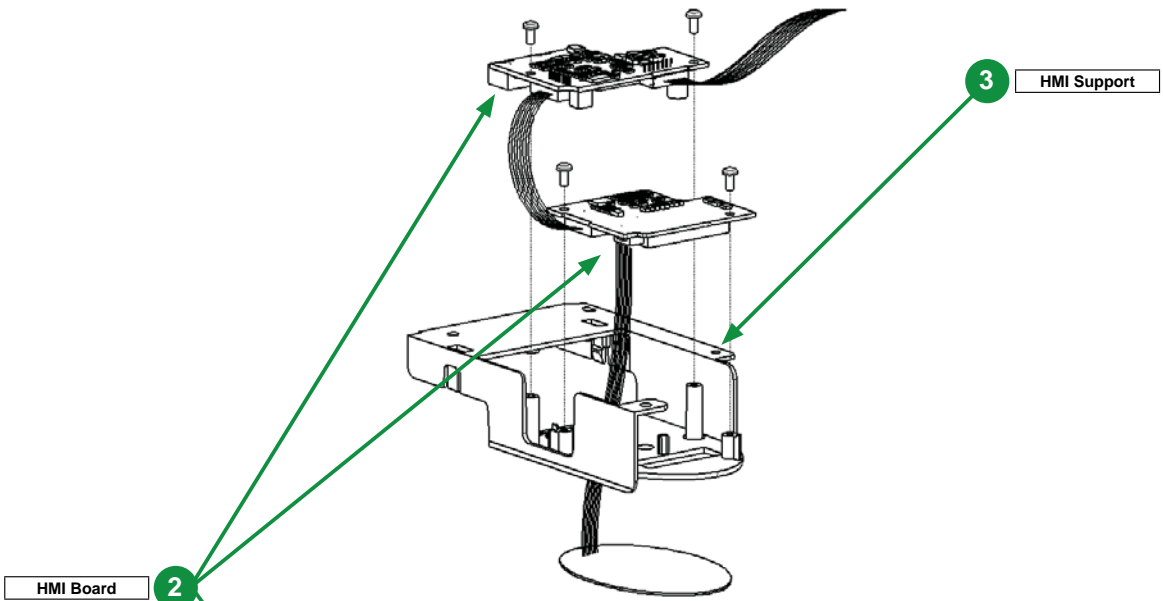
Core Support

5









HMI Board

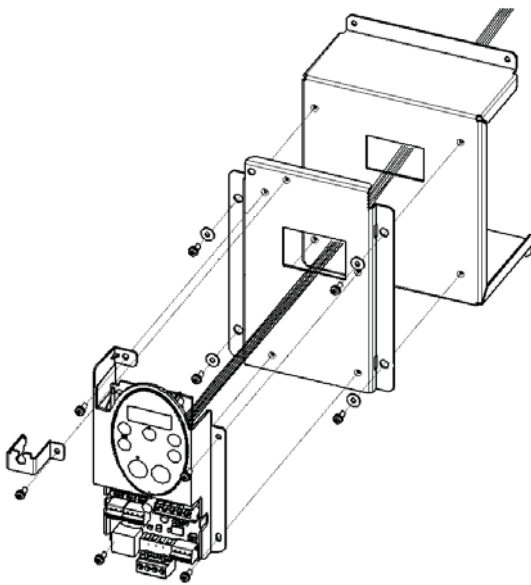
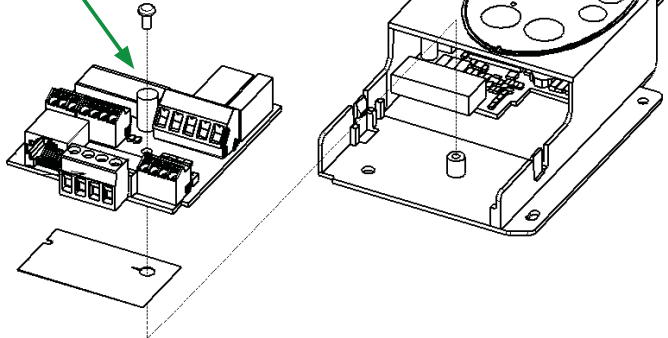
2

3

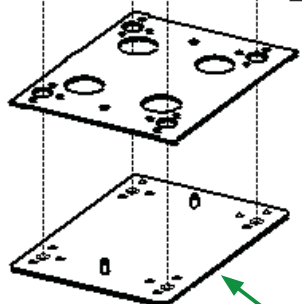
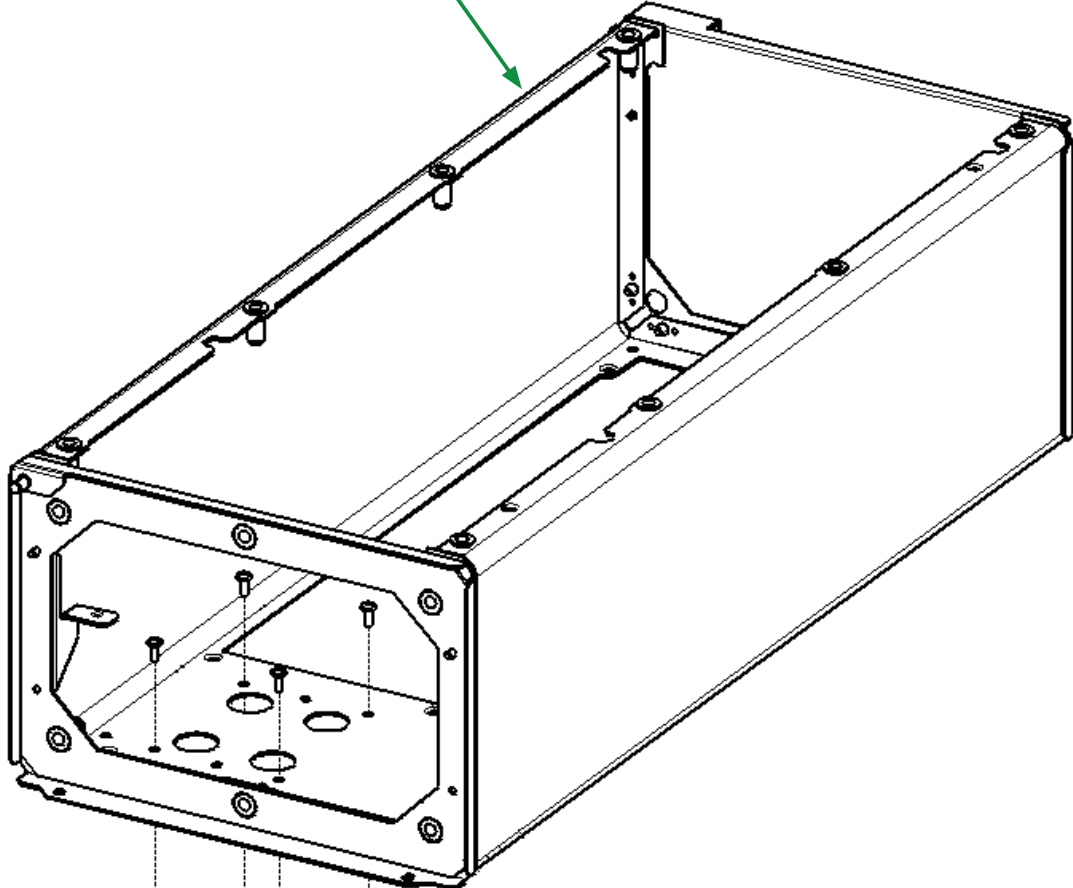
HMI Support

3

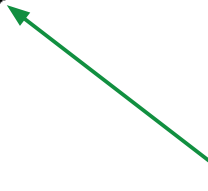
Cover

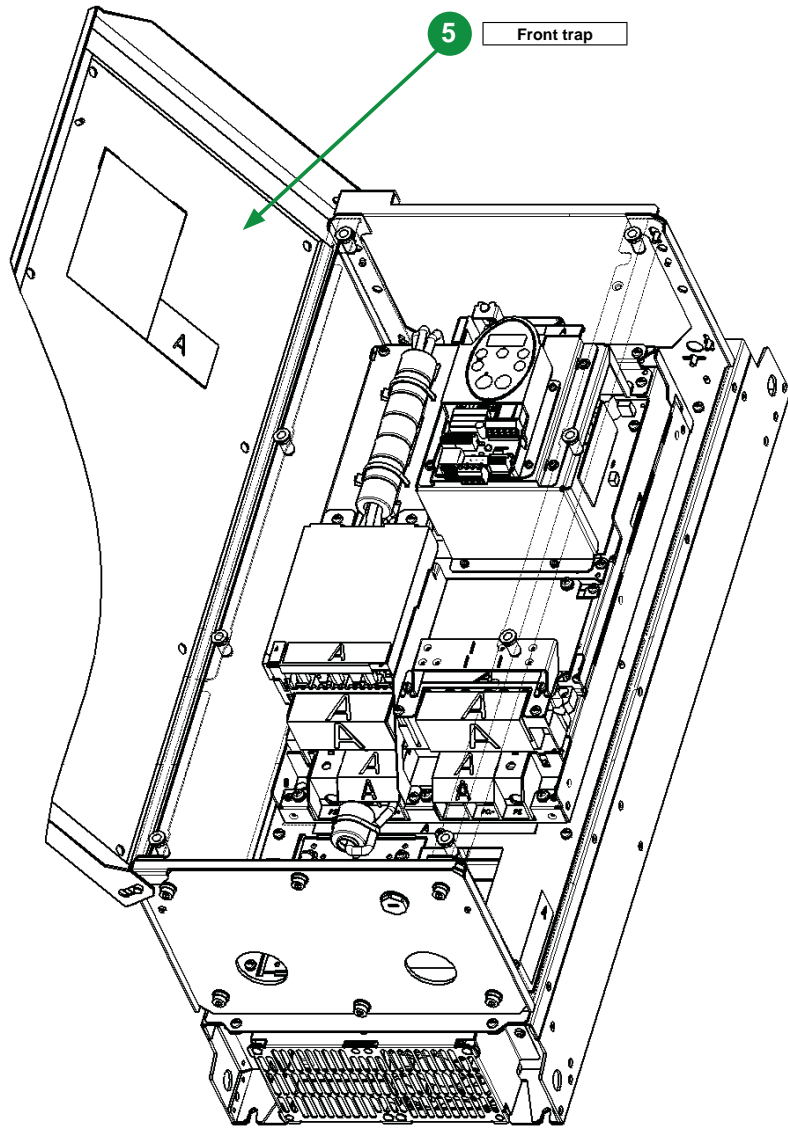


Housing 5



5 Choke Cover





Types of Components	Number on drawing	Components description	Total mass per types (kg)
Components listed for operating hazards	1	Electrolytic capacitors	(included in PCBA's)
Components listed for reuse	None	None	None
Components listed for depollution	1	Electrolytic capacitors	(included in PCBA's)
	2	Printed Circuit Board Assembly (PCBA) + Cables and connectors (not shown on drawing)	3
Components listed for dismantling operation which improves the recycling performance	3	Plastic parts > PC FR <	0.2
	4	Aluminium (heatsink)	4
	5	Steel	19.6
	6	Brass	1
Other components and parts listed for Shredding operations	7	Miscellaneous	1.2

### Schneider Electric Industries SAS

35, rue Joseph Monier  
CS30323  
F - 92506 Rueil Malmaison Cedex

RCS Nanterre 954 503 439  
Capital social 896 313 776 €  
www.schneider-electric.com

The version of the Guide used to create the document: End of Life Instruction Drafting Guide of Schneider Electric version V1.

Publication : Schneider Electric