



Ledinaire Slim Downlight DN065B G2 & DN065C

DN065B G2 LED20/840 22W 220V D200 RD EU

840 neutral white - Power supply unit - White

The LEDINAIRE range contains a selection of popular off-the-shelf LED luminaires that come with the high Philips quality levels at a competitive price. Reliable, energy-efficient and affordable – just what you need

Product data

General Information		EU RoHS compliant	
Light source color	840 neutral white	EU RoHS compliant	Yes
Light source replaceable	No	Operating and Electrical	
Driver/power unit/transformer	Power supply unit	Input Voltage	220 to 240 V
Driver included	Yes	Input Frequency	50 or 60 Hz
Optic type	Beam angle 110°	Inrush current	6.07 A
Luminaire light beam spread	110°	Inrush time	0.272 ms
Connection	Connection unit 2-pole	Power Factor (Min)	0.75
Cable	Cable 0.2 m with cable connector	Controls and Dimming	
Protection class IEC	Safety class II	Dimmable	No
Glow-wire test	Temperature 650 °C, duration 30 s	Mechanical and Housing	
Flammability mark	For mounting on normally flammable surfaces	Housing Material	Metal-Plastic
Warranty period	5 years	Reflector material	Polycarbonate
Constant light output	No	Optic material	Polycarbonate
Number of products on MCB of 16 A type B 48			

Ledinaire Slim Downlight DN065B G2 & DN065C

Optical cover/lens material	Polycarbonate
Fixation material	Steel
Optical cover/lens finish	Matte
Overall height	45 mm
Overall diameter	225 mm
Color	White
Dimensions (Height x Width x Depth)	45 x NaN x NaN mm (1.8 x NaN x NaN in)

Approval and Application

Ingress protection code	IP20(front IP40)
Mech. impact protection code	IK03 [0.3 J]

Initial Performance (IEC Compliant)

Initial luminous flux (system flux)	2000 lm
Luminous flux tolerance	+/-10%
Initial LED luminaire efficacy	90.00 lm/W
Init. Corr. Color Temperature	4000 K
Init. Color Rendering Index	80
Initial chromaticity	(0.3794, 0.3742) 5SDCM
Initial input power	22 W

Power consumption tolerance	+/-10%
-----------------------------	--------

Application Conditions

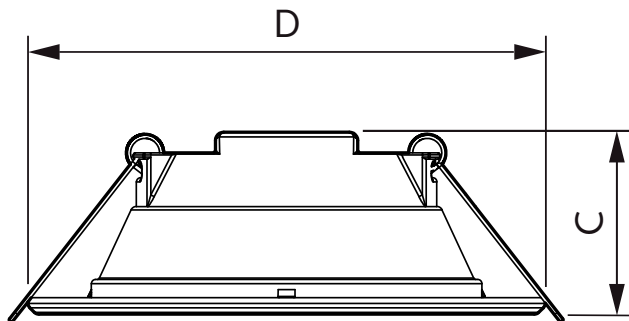
Ambient temperature range	-20 to +40 °C
Suitable for random switching	No

Product Data

Full product code	871869967945300
Order product name	DN065B G2 LED20/840 22W 220V D200 RD EU
EAN/UPC - Product	8718699679453
Order code	929002220732
Numerator - Quantity Per Pack	1
Numerator - Packs per outer box	12
Material Nr. (12NC)	929002220732
Net Weight (Piece)	0.333 kg



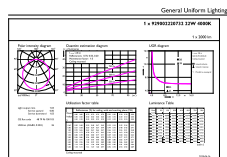
Dimensional drawing



DN065B G2 LED20/840 22W 220V D200 RD EU

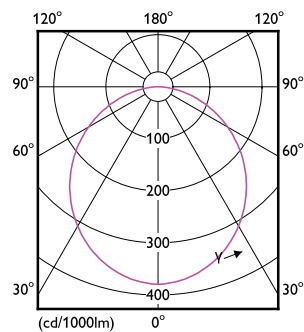
Product	D	C
DN065B G2 LED20/840 22W 220V D200 RD EU	225 mm	45 mm

Photometric data



General Information Page 1/1
 Page 1/1
 Page 1/1

Downlight DN065B G2 LED20 840 D200 RD EU



Downlight DN065B G2 LED20 840 D200 RD EU

Ledinaire Slim Downlight DN065B G2 & DN065C

