

KS 8.10 16 FL30 ZP STTZN (319 202)

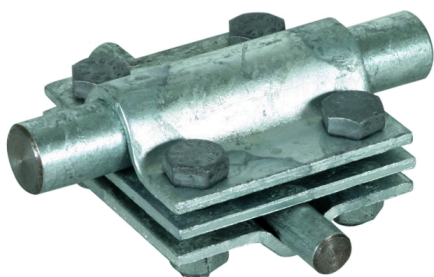
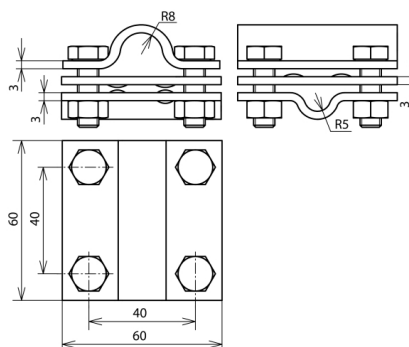


Figure without obligation



| Type | KS 8.10 16 FL30 ZP STTZN |
|---|--------------------------|
| Part No. | 319 202 |
| Material of clamp | St/tZn |
| Clamping range Rd / Rd | 16 / 8-10 mm |
| Clamping range Rd / FI | 16 / 30 mm |
| Screw | M8 x 25 mm |
| Material of screw / nut | St/tZn |
| Dimensions | 60 x 60 x 3 mm |
| Intermediate plate | yes |
| Lightning current carrying capability (10/350 µs) | 100 kA ^{*)} |
| Standard | EN 62561-1 |
| Zinc coating acc. EN 1461 | ~50 µm |
| Weight | 333 g |
| Customs tariff number | 85389099 |
| GTIN | 4013364024526 |
| PU | 25 Stk |

^{*)} See test certificate for exact classification.

We reserve the right to introduce changes in performance, configuration and technology, dimensions, weights and materials in the course of technical progress. The figures are shown without obligation.