

PSK 10 32 SQL SB (784 038)

- Earthing and short-circuiting devices can be configured online via the EaS configurator
- For connecting the phase cables of Earthing and short-circuiting devices to the overhead line
- With long threaded T pin shaft and safety bow



Figure without obligation

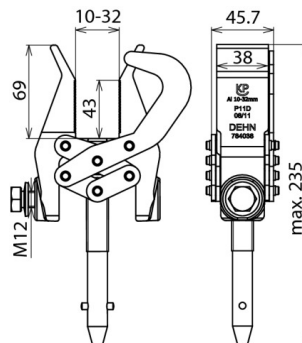


Figure without obligation

Type	PSK 10 32 SQL SB
Part No.	784 038
Clamping range Ø	10 ... 32 mm
Anti-rotation element	PK2
For cable cross-section Cu	16 ... 95 mm ²
Max. short-circuit current I _k 0.5 s	18.7 kA
Max. short-circuit current I _k 1 s	18.7 kA
Standard	EN/IEC 61230 (DIN VDE 0683-100), threaded T pin shaft DIN 48087
Temperature range	-25 °C ... +55 °C
Material (pressure plate)	Aluminium alloy
Material (clamp body)	Aluminium alloy
Material (shaft)	StSt
Material (coupling aid)	StSt
Weight	1,01 kg
Customs tariff number	85389099
GTIN	4013364138452
PU	1 Stk

We reserve the right to introduce changes in performance, configuration and technology, dimensions, weights and materials in the course of technical progress. The figures are shown without obligation.

The clamps must be designed for the same maximum short-circuit current as the earthing and short-circuiting cables!