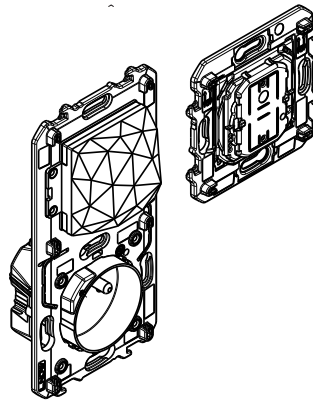


**Gateway +connected power outlet**



**Use**

This pack enables you to create a connected installation in your home. It can be used to control lighting, roller shutters and electrical equipment plugged into connected sockets:

- using your smartphone and the Home + Control app
- using voice assistants
- from the general control at the entrance to your home

**Comprises:**

- **A Control socket (Zigbee relay/WiFi)**  
Installation in 1-gang box 40 mm deep (minimum), instead of a standard socket outlet. Screw fixing.  
Connected socket which can be controlled by a wireless lighting control and/or remotely via your smartphone.  
The socket can be used to measure instantaneous and total consumption of the connected device, which can be viewed on the Home + Control app.  
One-piece mechanism (grid + mechanism).
- **A wireless general control**, used to control leaving home/coming home scenes involving lights, roller shutters and connected sockets.
  - Fixes directly on the wall or screws onto a flush-mounting box. Multigang versions can be combined with other wiring accessories.
  - Fits on a piece of furniture (movable).

**Connection**

**Control socket**  
Terminal type: automatic  
Terminal capacity: 2 x 2.5 mm<sup>2</sup>  
Stripping length: 11 mm

**Technical characteristics**

**- Mechanical characteristics**

**Control socket:**  
Protection against impacts: IK 04  
Protection against solid bodies and/or liquids: IP 40 assembled product

**General control:**  
Protection against impacts: IK 02  
Protection against solid bodies and/or liquids: IP 20 without rocker plate and plate IP 40 for assembled product

**- Material characteristics of control socket**

Mechanism casing: PC  
Halogen-free  
UV resistant  
Self-extinguishing: 850°C/30 s for insulating parts holding live parts in place.  
650°C/30 s for the other insulating components.

**- Material characteristics of general control**

Mechanism casing with grid: Fibreglass-reinforced (10%) PC  
Halogen-free  
UV resistant  
Self-extinguishing: 650°C/30 s

**- Electrical characteristics of control socket**

Voltage: 110/230 V~  
Current: 16 A  
Power: 3680 W max.  
Frequency: 50/60 Hz  
Standby consumption: 0.1 mA

**WiFi technology** 2.4 GHz (13 channels) - IEEE 802.11 b/g/n

**ZigBee radio technology** frequency: 2.4 GHz to 2.4835 GHz  
Wireless mesh network, self-adaptive and secure (AES 128), conforming to standard IEEE 802.15.4 (LR-WPAN)

Power level: < 100 mW  
Range: 200 m of unobstructed space  
10 m recommended between products indoors

**Range**

Designation	Cat. Nos.
Connected relay socket. Supplied complete with finishing plate and site protection covers. Equipped with a RESET button (hidden) used to return to factory settings.	<input type="checkbox"/> KW4502C
Additional wireless general control. Supplied complete with battery, finishing plate. Equipped with an LED indicator (configuration) and a RESET button (hidden) used to return to factory settings. Repositionable self-adhesive fixings supplied.	<input type="checkbox"/> KM4502C <input type="checkbox"/> KG4502C

**Related cover:**

- White : KW51-KW35M2-KW40M2
- Sand : KM51-KM35M2-KM40M2
- Black: KG51-KG35M2-KG40M2

## Gateway +connected power outlet

### - Electrical characteristics of general control

Powered by a CR2032 - 3 V lithium battery (supplied)

Battery life: 8 years for 10 activations a day

**ZigBee radio technology** frequency: 2.4 GHz to 2.4835 GHz

Wireless mesh network, self-adaptive and secure (AES 128), conforming to standard IEEE 802.15.4 (LR-WPAN)

Power level: < 100 mW

### - Climate characteristics

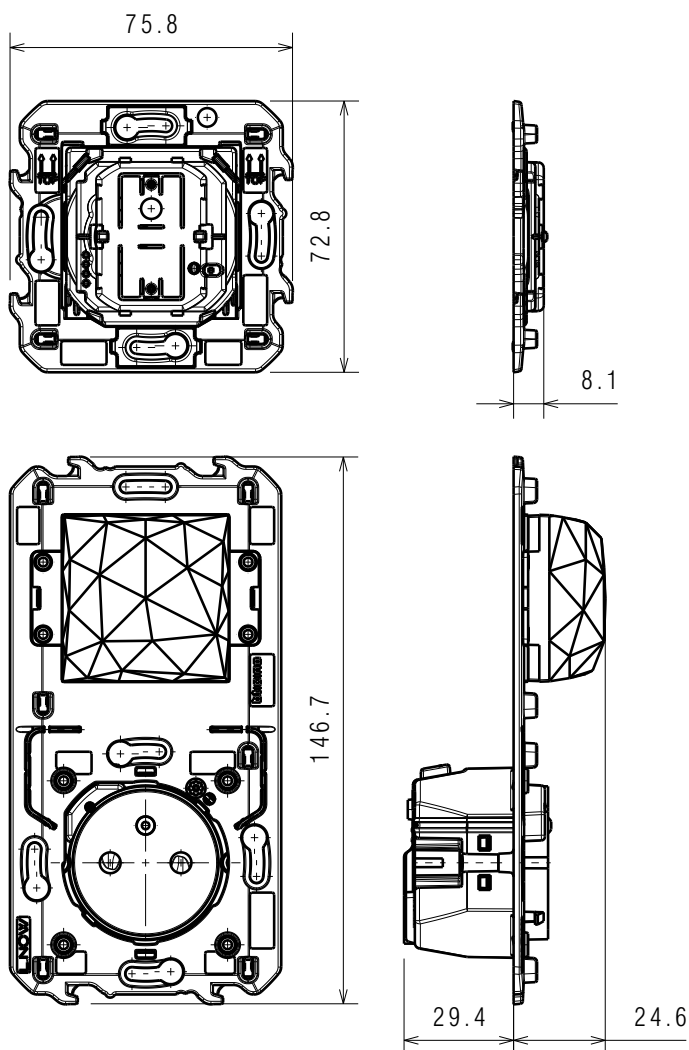
Storage temperature: 0° C to + 45° C

Usage temperature: +5° C to + 45° C

### Standards and approvals

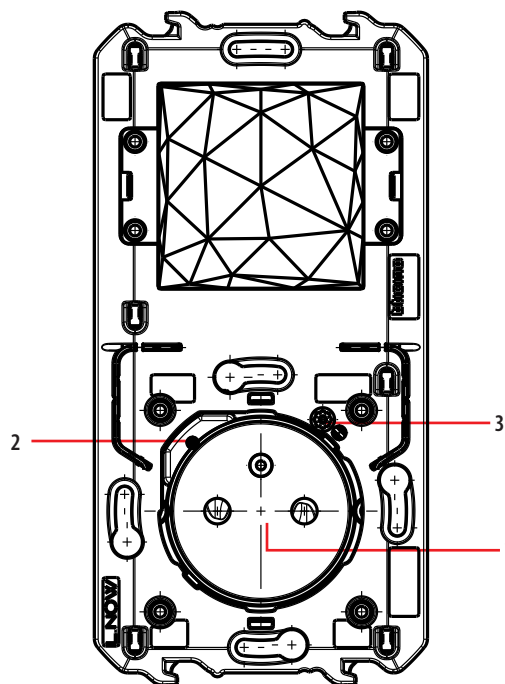
The undersigned, BTICINO, declares that the radio-electric equipment type (KW.KM.KG4502C) complies with directive 2014/53/EU. The full text of the EU declaration of conformity is available on the following website: [www.bticino.it/red](http://www.bticino.it/red)

### Dimensions (mm)



### Operation

Front view



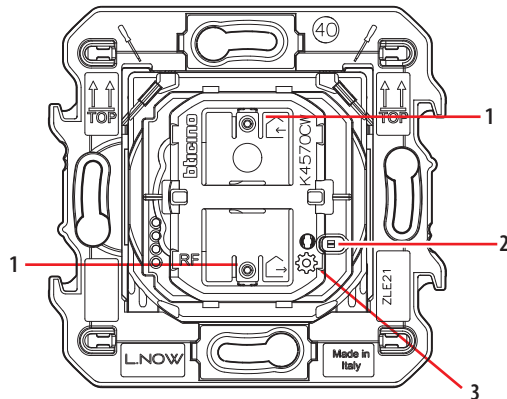
### Legend

1. 16 A connected socket outlet  
Extra built-in protection in the event of overloads of more than 16 A
2. LED indicator:  
- useful during installation  
- indicator function can be activated in the Home + Control app
3. RESET button: used to return to factory settings

## Gateway +connected power outlet

### Operation

Front view



### Legend

1. Arrival scenario when pressed at the top:  
By default, switches on the connected sockets  
Can be customised with the Home + Control app.Leaving scenario when pressed at the bottom:  
By default, switches off all the lights in the installation  
Can be customised with the Home + Control app
2. LED indicator:
  - useful during installation
  - when pressed, burst flashes red if the battery power is low
3. Reset button

**Attention: The starter pack is pre-paired at the factory.**  
Never perform a factory RESET on the control socket and the wireless general control at the same time, as this may render them unusable.

### Care

Clean the surface with a cloth.

Do not use acetone, tar-removing cleaning agents or trichloroethylene.

Resistant to the following products: Hexane (EN 60669-1), methylated spirit, soapy water, diluted ammonia, bleach diluted to 10%, windowcleaning products, pre-impregnated wipes.

The plates must not be painted.

**Caution: Always test before using special cleaning products.**



Take care to recycle the battery appropriately.

RAEE/WEEE: [bticino.com/disposal](http://bticino.com/disposal)