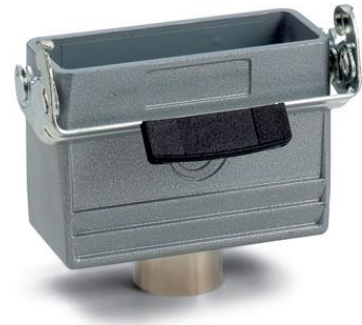


70480200	<b>DATA SHEET</b>	
Valid from: 17.09.2018	<b>EPIC® H-A 16 TBFH-LB</b>	

## Description

- These connectors are attractive because of their compact housing.
- Small and compact for applications with high number of contacts



## General characteristics

Series	H-A 16
Version	Cable coupler hood, high version
Locking	single lever
Cable entry	straight
Gland body installed	yes
Protection (DIN EN 60529)	IP 65 (latched)
Protection (NEMA 250, UL50E)	4, 12 (latched)
Temperature range	-40°C to +100°C, short-term up to +125°C

## Product variations

Article no.	Thread
70480200	PG 16
70480400	PG 21

## Materials and surfaces

Housing	Aluminium alloy, powder-coated, grey
Gland body	Brass, nickel-plated
Lever	Steel, zinc-plated
Gasket	NBR

## Approvals

VDE-Approval, VDE-REG.-Nr.	B437
----------------------------	------

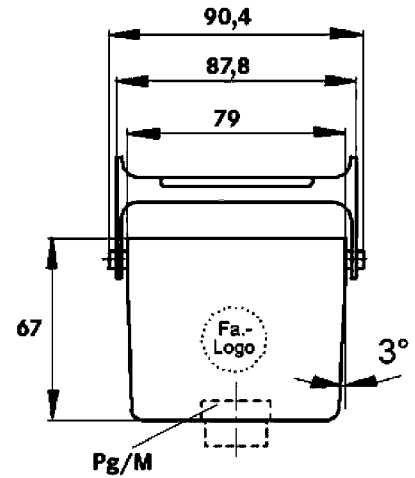
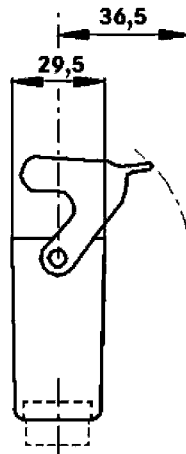
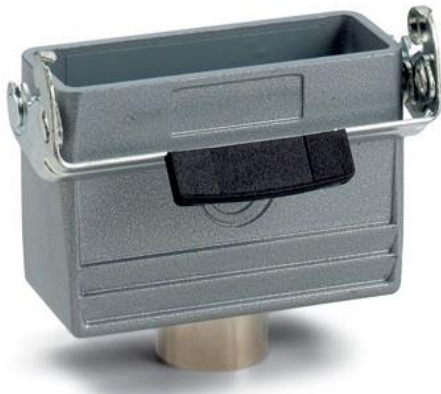
## Standards

Safety Standard	IEC 61984
-----------------	-----------

Creator: MANA2/PDP Released: IVSE1/PDP	Document: DB70480200EN Version: 01	Page 1 of 2
---	---------------------------------------	-------------

70480200	<b>DATA SHEET</b>	
Valid from: 17.09.2018	EPIC® H-A 16 TBFH-LB	

## Drawings



Industrial machinery and plant engineering



Mechanical resistance



Robust



Waterproof

## Info

Compact, robust metal housings size H-A 16

## Application range

Machine and equipment manufacturing  
Control engineering  
Electronic laboratory

## Remark

Photographs are not to scale and do not represent detailed images of the respective products.

Creator: MANA2/PDP Released: IVSE1/PDP	Document: DB70480200EN Version: 01	Page 2 of 2
---	---------------------------------------	-------------