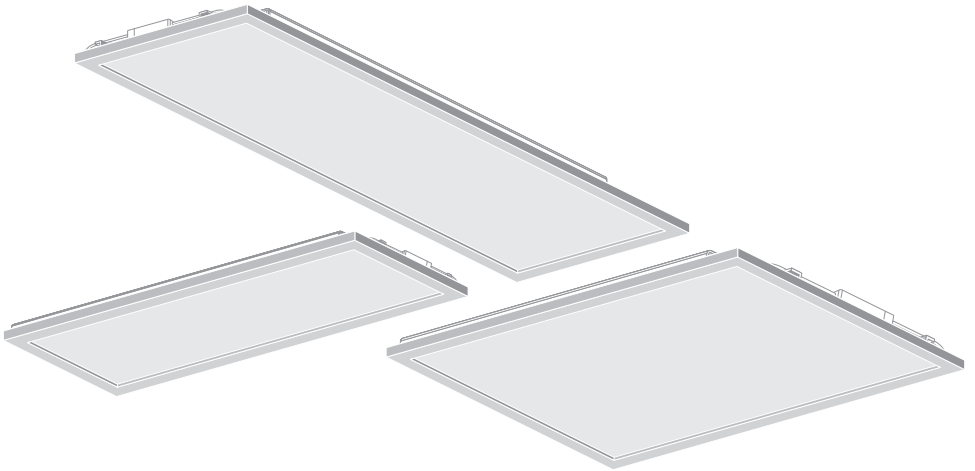


---

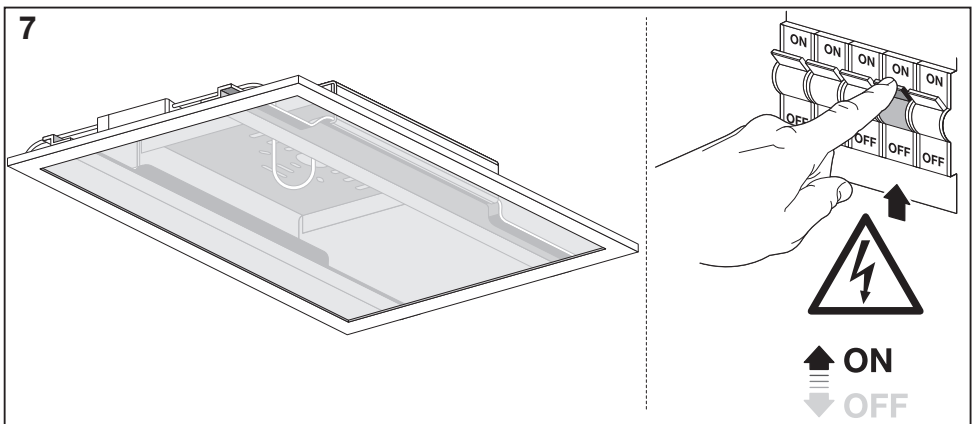
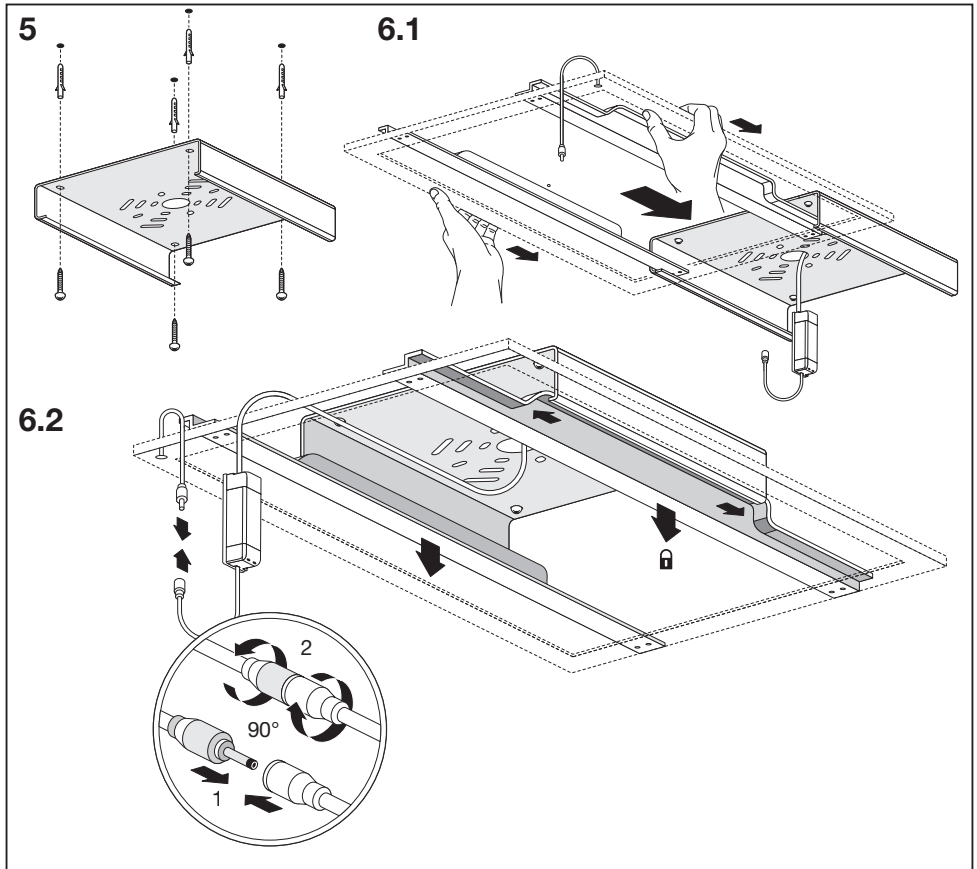
## PLANON PLUS

---



	EAN	W	lm	K	°C	V~	mA	Hz	PF	👤
<b>PLANON PLUS</b> 30x60 15W 830	4058075268043	15	1400	3000	-20...+40	220-240	85	50/60	>0.9	2100 g
<b>PLANON PLUS</b> 30x60 15W 840	4058075268081	15	1400	4000	-20...+40	220-240	85	50/60	>0.9	2100 g
<b>PLANON PLUS</b> 60x60 36W 830	4058075267367	36	3200	3000	-20...+40	220-240	220	50/60	>0.9	3387 g
<b>PLANON PLUS</b> 60x60 36W 840	4058075267886	36	3200	4000	-20...+40	220-240	220	50/60	>0.9	3387 g
<b>PLANON PLUS</b> 120x30 36W 830	4058075267947	36	3400	3000	-20...+40	220-240	220	50/60	>0.9	4056 g
<b>PLANON PLUS</b> 120x30 36W 840	4058075267961	36	3400	4000	-20...+40	220-240	220	50/60	>0.9	4056 g







C10449057  
G11070946  
07.03.2019



LEDVANCE GmbH  
Steinerne Furt 62  
86167 Augsburg, Germany  
[www.ledvance.com](http://www.ledvance.com)