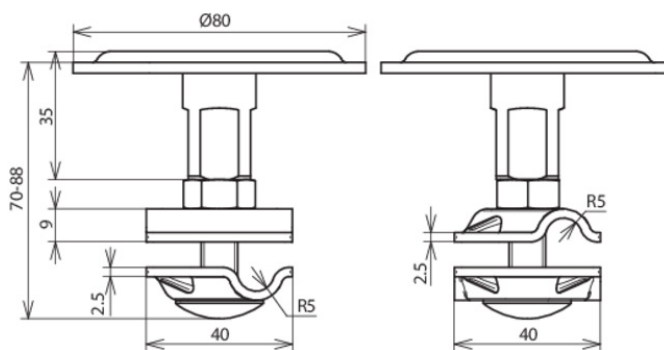


FP D80 ET70 8.10 V2A (108 009)



Figure without obligation



Type	FP D80 ET70 8.10 V2A
Part No.	108 009
Material of clamp	StSt
Material of stud	StSt
Connection Rd	8-10 mm
Installation depth	min. 70 mm
Levelling range	18 mm
Diameter Ø stud	80 mm
Weight	288 g
Customs tariff number	85389099
GTIN	4013364133686
PU	1 Stk

We reserve the right to introduce changes in performance, configuration and technology, dimensions, weights and materials in the course of technical progress. The figures are shown without obligation.