

VK A R22 F40 STBL (308 030)

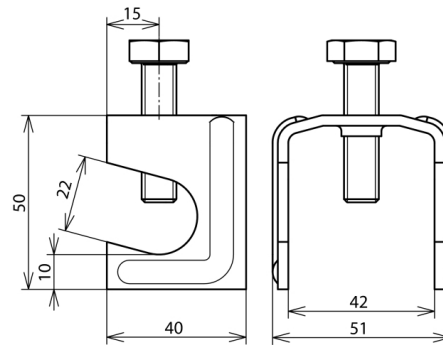


Figure without obligation

Arrangement:

Type	VK A R22 F40 STBL
Part No.	308 030
Material	St/bare
Clamping range Rd / FI	(+) 6-22 / 30-40 mm
Screw	M10 x 40 mm
Material of screw	St/bare
Lightning current carrying capability (10/350 µs)	100 kA ^{*)}
Standard	EN 62561-1
Short-circuit current (a.c. 50 Hz / d.c.) (1 s; ≤ 300 °C)	1.0 kA
Weight	125 g
Customs tariff number	85389099
GTIN	4013364030749
PU	50 Stk

^{*)} For exact assignment see test certificate.

We reserve the right to introduce changes in performance, configuration and technology, dimensions, weights and materials in the course of technical progress. The figures are shown without obligation.