


10423300	<b>DATA SHEET</b>	
Valid from: 17.09.2018	<b>EPIC® ULTRA H-A 3 TG M20</b>	

## Description

- EMC protection
- Corrosion-resistant
- Protection rating UL50E tested
- All-purpose due to high corrosion resistance and high environmental protection



## General characteristics

Series	ULTRA H-A 3
Version	Hood M20
Locking mechanism	bolts for single lever
Cable entry	straight
Thread	M20x1,5
Protection (DIN EN 60529)	IP 65 (latched)
Protection (NEMA 250, UL50E)	4, 4X, 12 (latched)
Temperature range	-40°C to +100°C, short-term up to +125°C
Holding screws for inserts included	yes

## Materials and surfaces

Housing, base material	Zinc die-casting
Housing, surface	Nickel-plated
Lever	Stainless steel
Holding screws for inserts	Stainless steel


## Approvals

VDE-Approval, VDE-REG.-Nr.	B437
----------------------------	------

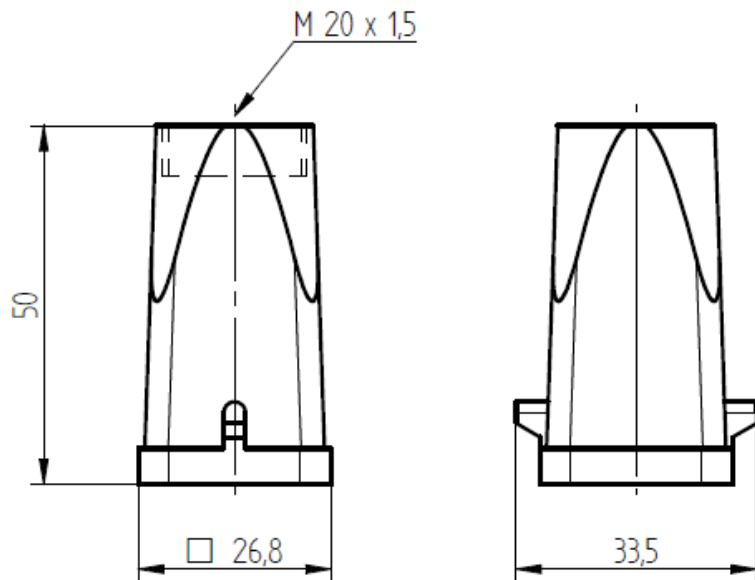
## Standards

Safety Standard	IEC 61984
-----------------	-----------

Creator: MANA2/PDP Released: IVSE1/PDP	Document: DB10423300EN Version: 01	Page 1 of 2
---	---------------------------------------	-------------

10423300	<b>DATA SHEET</b>	
Valid from: 17.09.2018	<b>EPIC® ULTRA H-A 3 TG M20</b>	

## Drawings



## Remark

Photographs are not to scale and do not represent detailed images of the respective products.

Creator: MANA2/PDP Released: IVSE1/PDP	Document: DB10423300EN Version: 01	Page 2 of 2
---	---------------------------------------	-------------