

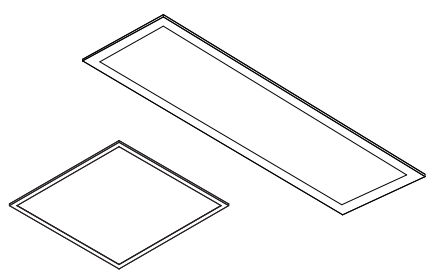
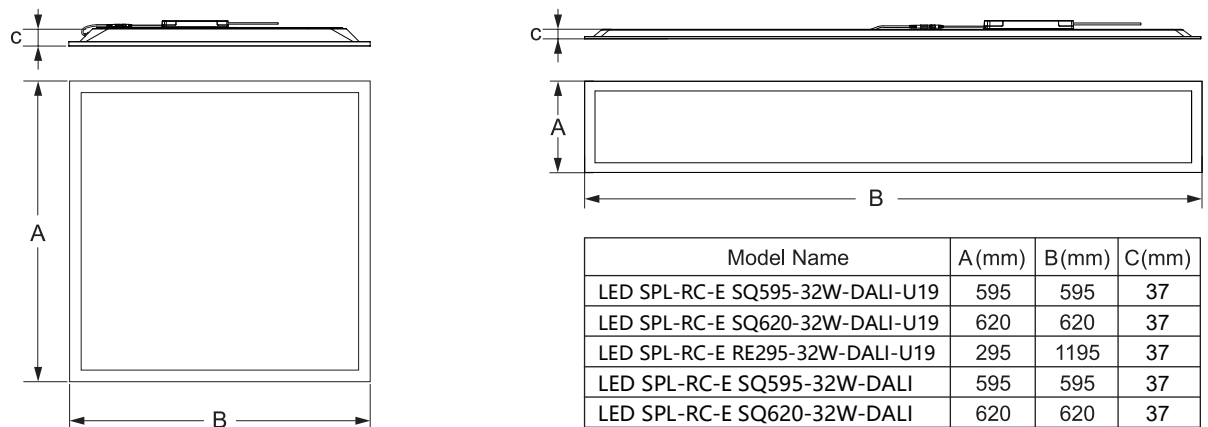
LED Slim Panel Ecomax G4

OPPLE

Version date 21-07-2022
www.opple.com









Item Code	Luminaire Description	CCT	kg
542003099100	LEDPanelS-E4 Sq595-32W-DALI-830-U19	3000K	1.92kg
542003099200	LEDPanelS-E4 Sq595-32W-DALI-840-U19	4000K	1.92kg
542003099300	LEDPanelS-E4 Sq620-32W-DALI-830-U19	3000K	2.15kg
542003099400	LEDPanelS-E4 Sq620-32W-DALI-840-U19	4000K	2.15kg
542003099500	LEDPanelS-E4 Re295-32W-DALI-830-U19	3000K	1.84kg
542003099600	LEDPanelS-E4 Re295-32W-DALI-840-U19	4000K	1.84kg
542003100300	LEDPanelS-E4 Sq595-32W-DALI-830	3000K	1.52kg
542003100400	LEDPanelS-E4 Sq595-32W-DALI-840	4000K	1.52kg
542003100500	LEDPanelS-E4 Sq620-32W-DALI-830	3000K	1.76kg
542003100600	LEDPanelS-E4 Sq620-32W-DALI-840	4000K	1.76kg
542003100700	LEDPanelS-E4 Re295-32W-DALI-830	3000K	1.45kg
542003100800	LEDPanelS-E4 Re295-32W-DALI-840	4000K	1.45kg
542003021700*	LEDPanelRc-S-B2 Suspension-Kit	/	0.25kg
542003021800*	LEDPanelRc-S-B2 Mounting-Springs	/	0.1kg
542098033000*	LEDPanelRc-S-B2 Re298 Mounting-Springs	/	0.126kg

* Accessories should be purchased separately.

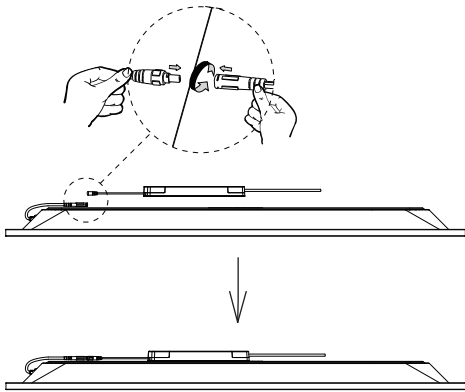
Model Name	A(mm)	B(mm)	C(mm)
LED SPL-RC-E SQ595-32W-DALI-U19	595	595	37
LED SPL-RC-E SQ620-32W-DALI-U19	620	620	37
LED SPL-RC-E RE295-32W-DALI-U19	295	1195	37
LED SPL-RC-E SQ595-32W-DALI	595	595	37
LED SPL-RC-E SQ620-32W-DALI	620	620	37
LED SPL-RC-E RE295-32W-DALI	295	1195	37

Light Source

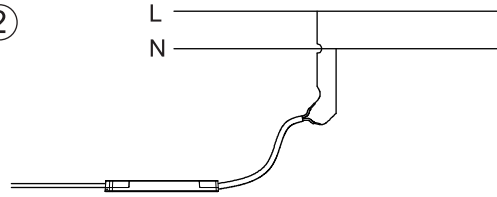
Product Code	Product Description	N	Light source code	QR Code	Energy Label
542003099100	LEDPanelS-E4 Sq595-32W-DALI-830-U19	6	LS030003212-01		
542003099300	LEDPanelS-E4 Sq620-32W-DALI-830-U19	6			
542003100300	LEDPanelS-E4 Sq595-32W-DALI-830	6			
542003100500	LEDPanelS-E4 Sq620-32W-DALI-830	6			
542003099200	LEDPanelS-E4 Sq595-32W-DALI-840-U19	6	LS030003215-01		
542003099400	LEDPanelS-E4 Sq620-32W-DALI-840-U19	6			
542003100400	LEDPanelS-E4 Sq595-32W-DALI-840	6			
542003100600	LEDPanelS-E4 Sq620-32W-DALI-840	6			
542003099500	LEDPanelS-E4 Re295-32W-DALI-830-U19	2	LS030003212-02		
542003100700	LEDPanelS-E4 Re295-32W-DALI-830	2			
542003099600	LEDPanelS-E4 Re295-32W-DALI-840-U19	2	LS030003215-02		
542003100800	LEDPanelS-E4 Re295-32W-DALI-840	2			

Wire Connection & Recessed Installation

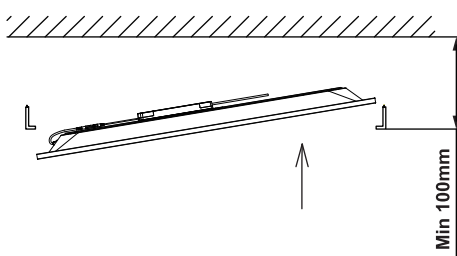
①



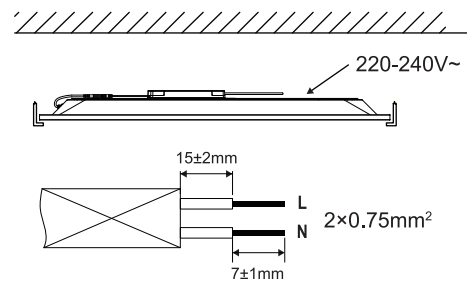
②



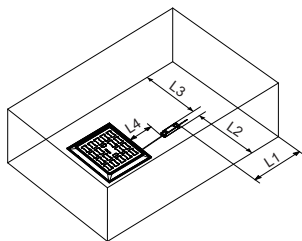
③



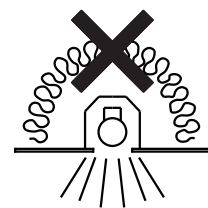
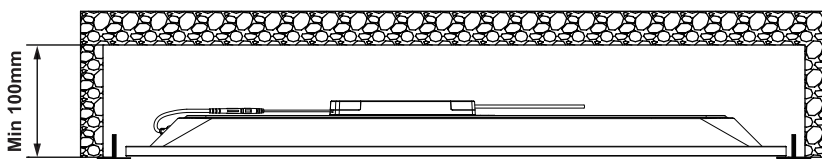
④



Terminal block not included. Installation may require advice from a qualified person. Only use suitable connection boxes with internal terminal blocks conform to EN60998-2-1 or EN60998-2-2 Terminal should be capable for at least 450V 16A, 0.75mm² wiring.

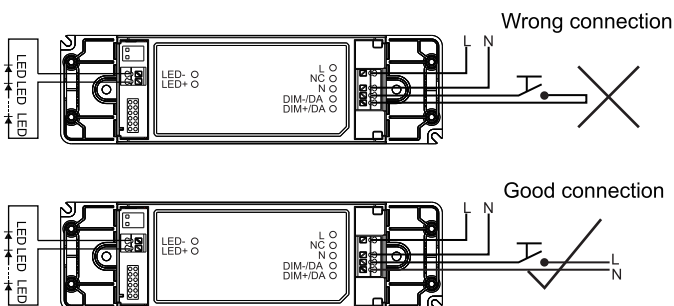


Type	L1(mm)	L2(mm)	L3(mm)	L4(mm)
SQ595				
SQ620	≥500	≥500	≥500	≤450
RE295				



Do not cover with insulation material

TOUCH DIM FUNCTIONALITY (For DALI2 System)

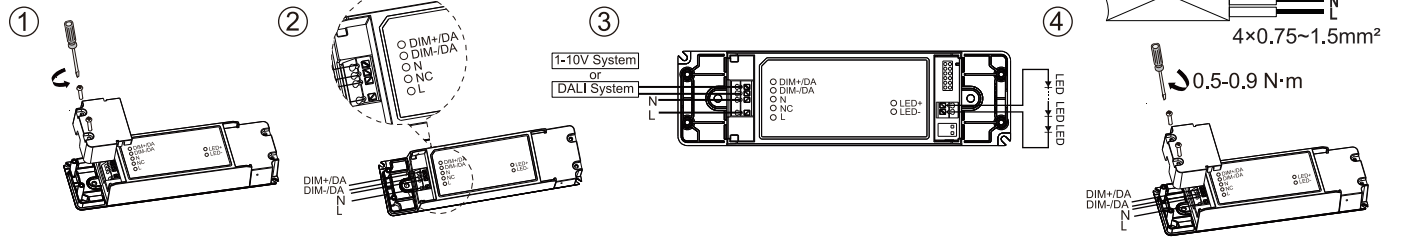


Function	Contact Duration	Reaction
Ignore	< 50ms	Nothing
Short Push	50-500ms	Turn on or off
Long Push	> 500ms	Dimming up or down
Synchronisation	10s	Go to SYNC level, 50%
	20s	Go to SYNC level, 100%

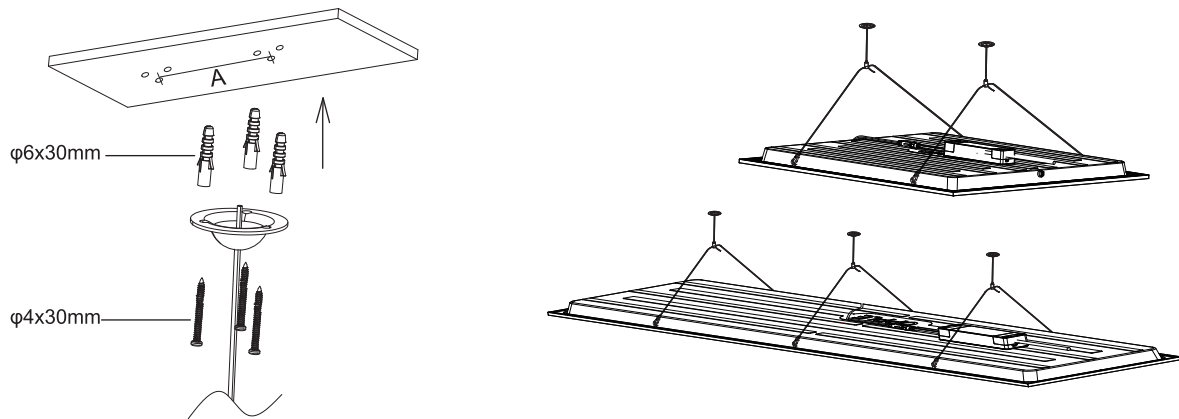
Touch Dim Terminal Consumption: Typical 3mA(220V).

Warning: TD function and DALI function can't be used at the same time, avoid damaging the DALI system by high voltage.

Recessed Mounting (Lay-in) For DALI



Suspended Installation (Suspension kit)

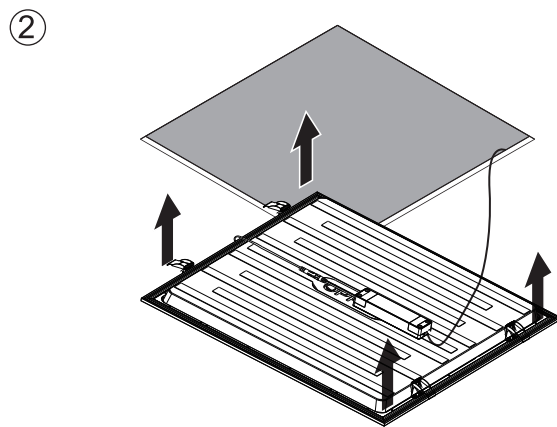
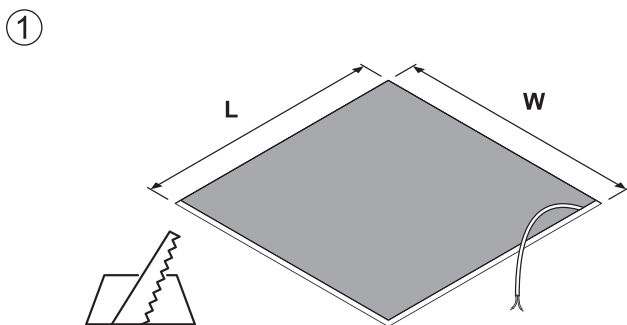
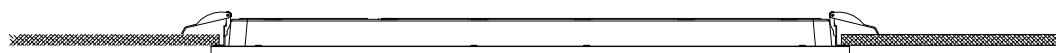


Panel LED	A		x2		x4
595x595	331mm				

Panel LED	A		x2		x4
620x620	331mm				

Panel LED	A		x3		x6
295x1195	208mm				

Recessed Mounting (Mounting Springs)



Panel LED	L	W		x4		x8
595x595	580mm	580mm				

Panel LED	L	W		x4		x8
620x620	597mm	597mm				

Panel LED	L	W		x6		x12
295x1195	280mm	1180mm				

Caution

The luminaire is only suitable for safety extra low voltage supply (<50Va.c.; <120Vd.c.).

The controlgear for the connection panel should be SELV.

It must be basic insulation between FELV and SELV, as is FELV and LV supply for 1-10V and DALI type.

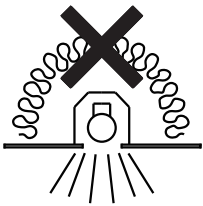
For non-user replaceable light sources:

The light source contained in this luminaire shall only be replaced by the manufacturer or his service agent or a similar qualified person.

Terminal block not included. Installation may require advice from a qualified person.

Only use suitable connection boxes with internal terminal blocks conform to EN60998-2-1 or EN60998-2-2 Terminal should be capable for

at least 450V 16A, 0.75mm² wiring.



Luminaires not suitable for covering with thermally insulating material.

Leuchten sind nicht mit thermisch isolierenden Materialien abzudecken.

In case of damage to the wire, it has to be replaced only by the manufacturer, distributor or by an expert, to avoid risks.



Caution: Any operation on LED module is forbidden while power-on.

Zur Vermeidung von Risiken müssen defekte Leitungen ausschließlich vom Hersteller, Inverkehrbringer oder Fachmann ausgetauscht werden.

Achtung: In Betrieb ist keine Arbeit am LED-Modul erlaubt.



Data subject to change
Les données sont sujettes à modifications
Änderungen vorbehalten

Suzhou Opple Lighting Co., Ltd.
East Side, Fenyang Road,
Fenhu Economic Development Zone,
Wujiang City, Jiangsu Province,
P.R.China

Opple Lighting B.V.
Meerenakkerweg 1-07
5652 AR Eindhoven
The Netherlands
service@opple.com
www.opple.com