

SGK ZS 7.10 KB3.13 STTZN (343 000)

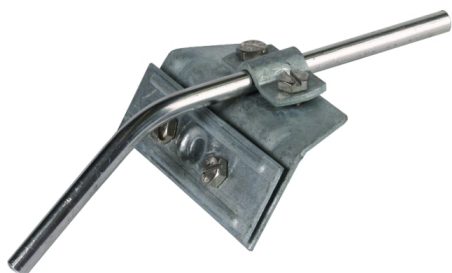
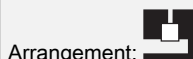
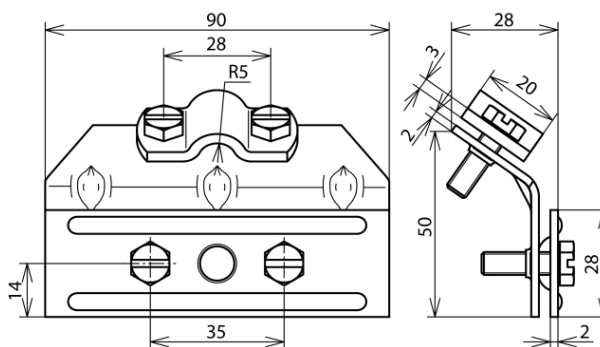


Figure without obligation



Arrangement:

Type	SGK ZS 7.10 KB3.13 STTZN
Part No.	343 000
Clamping range	3-13 mm
Material of clamp	St/tZn
Width	90 mm
Clamping range Rd	7-10 mm
Screw	🔩 M6 x 20 mm
Material of screw	StSt
Connection with	two-screw clamp
Connection	longitudinal
Lightning current carrying capability (10/350 µs)	50 kA ^{*)}
Standard	EN 62561-1
Weight	167 g
Customs tariff number	85389099
GTIN	4013364024861
PU	25 Stk

^{*)} See test certificate for exact classification.

We reserve the right to introduce changes in performance, configuration and technology, dimensions, weights and materials in the course of technical progress. The figures are shown without obligation.