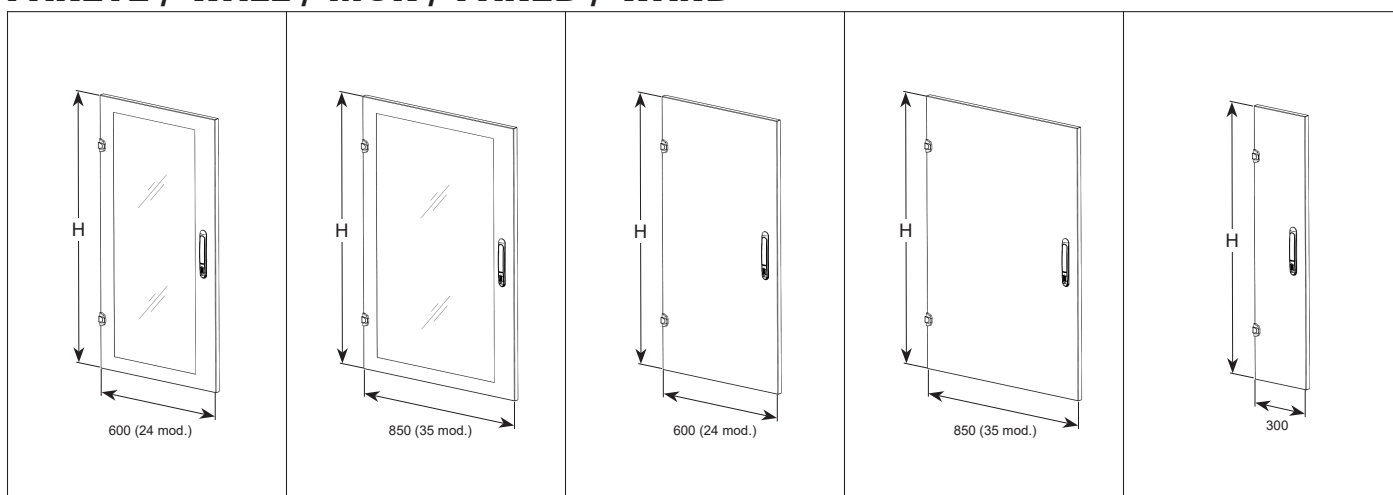
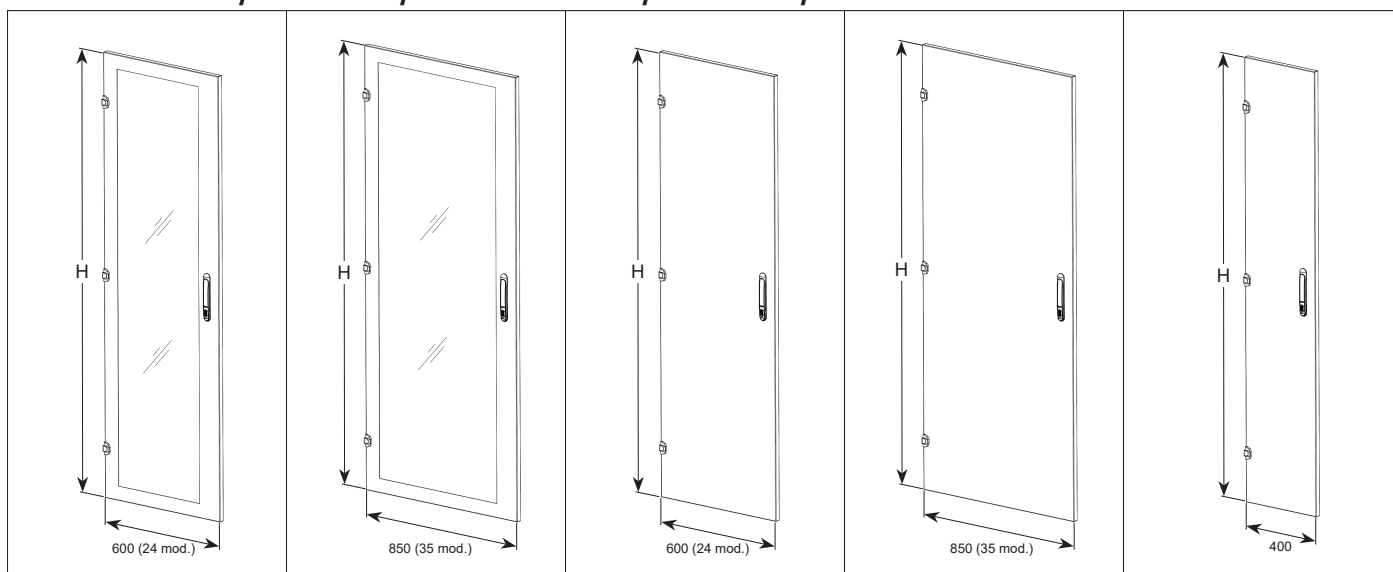


## PARETE / WALL / MUR / PARED / WAND



H (mm)	Cod.	H (mm)	Cod.	H (mm)	Cod.	H (mm)	Cod.	H (mm)	Cod.
1000	GWD3021	1000	GWD3023	1000	GWD3025	1000	GWD3027	1000	GWD3029
1200	GWD3022	1200	GWD3024	1200	GWD3026	1200	GWD3028	1200	GWD3030

## PAVIMENTO / FLOOR / PLANCHER / SUELO / FUSSBODEN



H (mm)	Cod.	H (mm)	Cod.	H (mm)	Cod.	H (mm)	Cod.	H (mm)	Cod.
1600	GWD3068	1600	GWD3071	1600	GWD3074	1600	GWD3077	1600	GWD3080
1800	GWD3069	1800	GWD3072	1800	GWD3075	1800	GWD3078	1800	GWD3081
2000	GWD3070	2000	GWD3073	2000	GWD3076	2000	GWD3079	2000	GWD3082

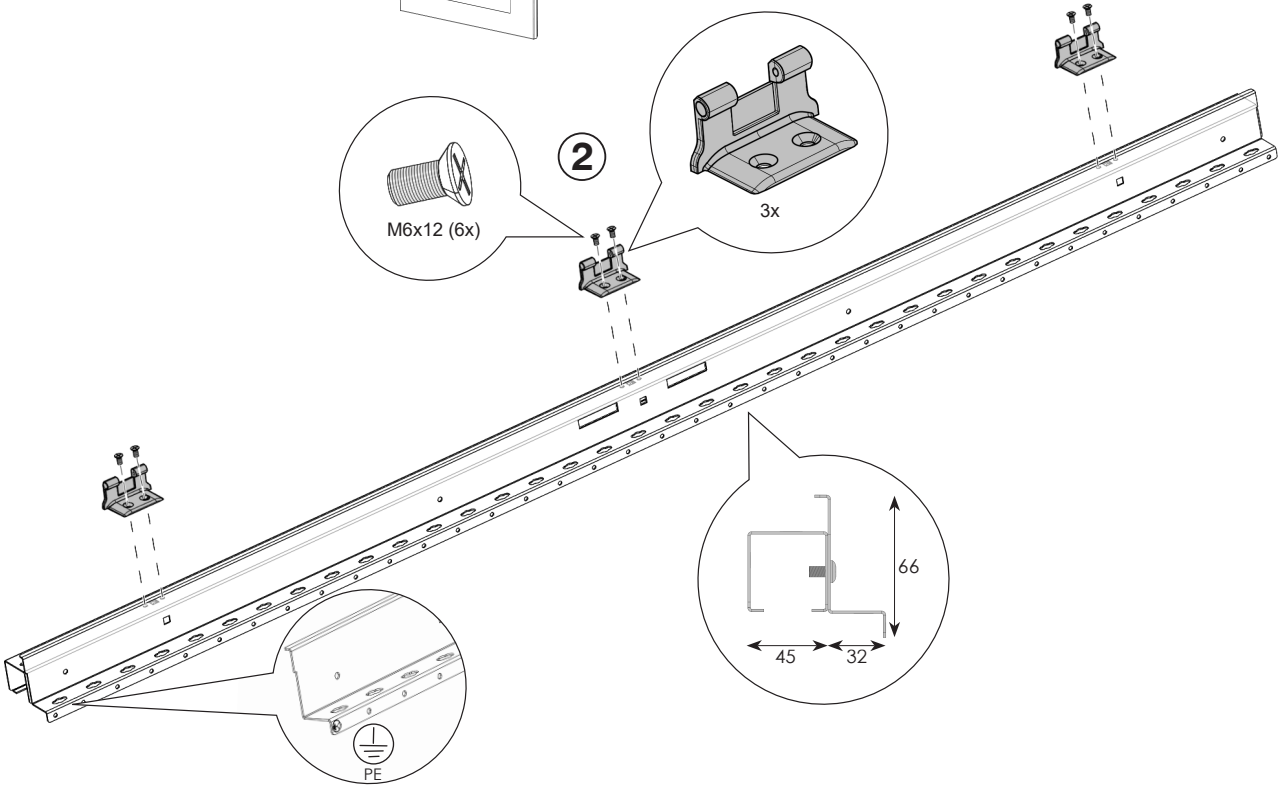
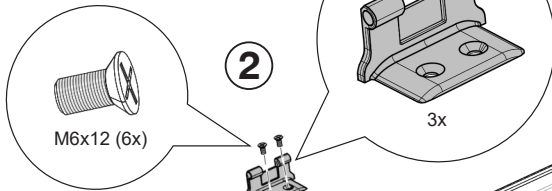
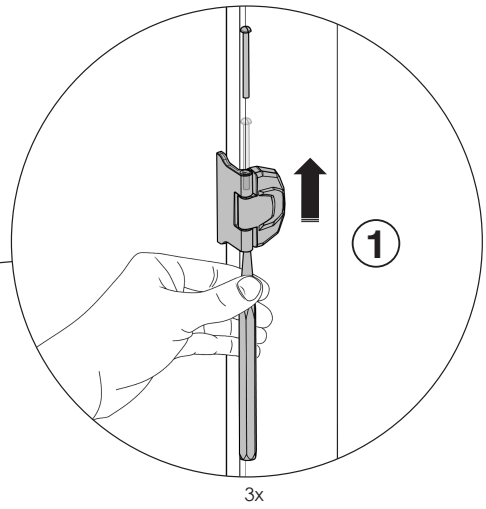
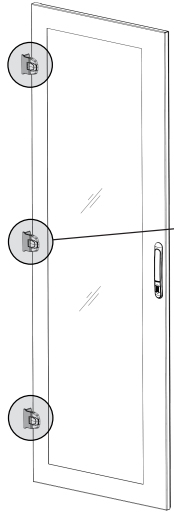
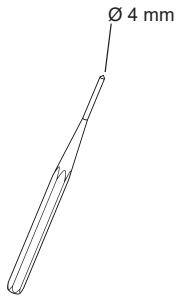
**Montaggio cerniere**

*Mounting of hinges*

*Montage des charnières*

*Montaje de bisagras*

*Montage des Angeln*



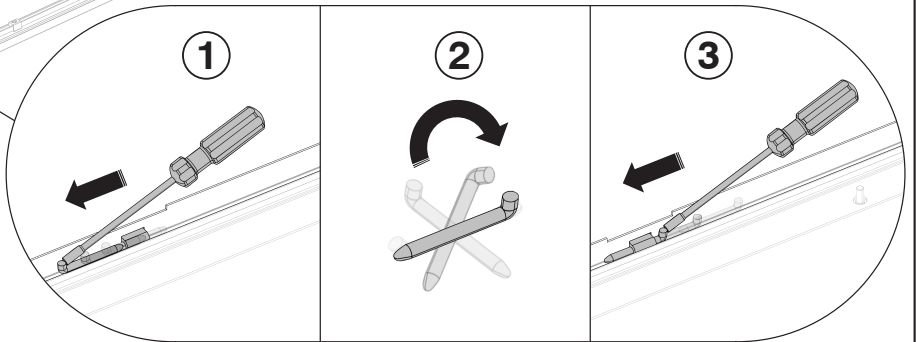
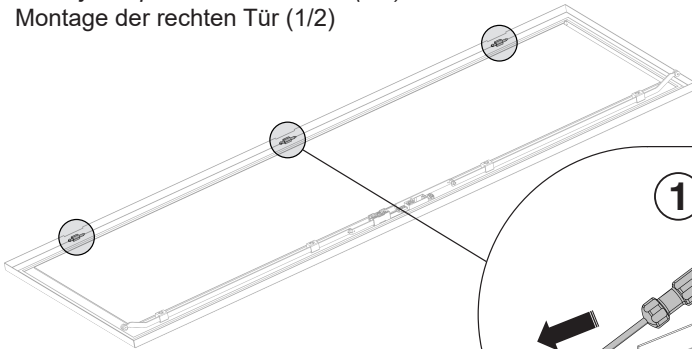
**Montaggio porta a destra (1/2)**

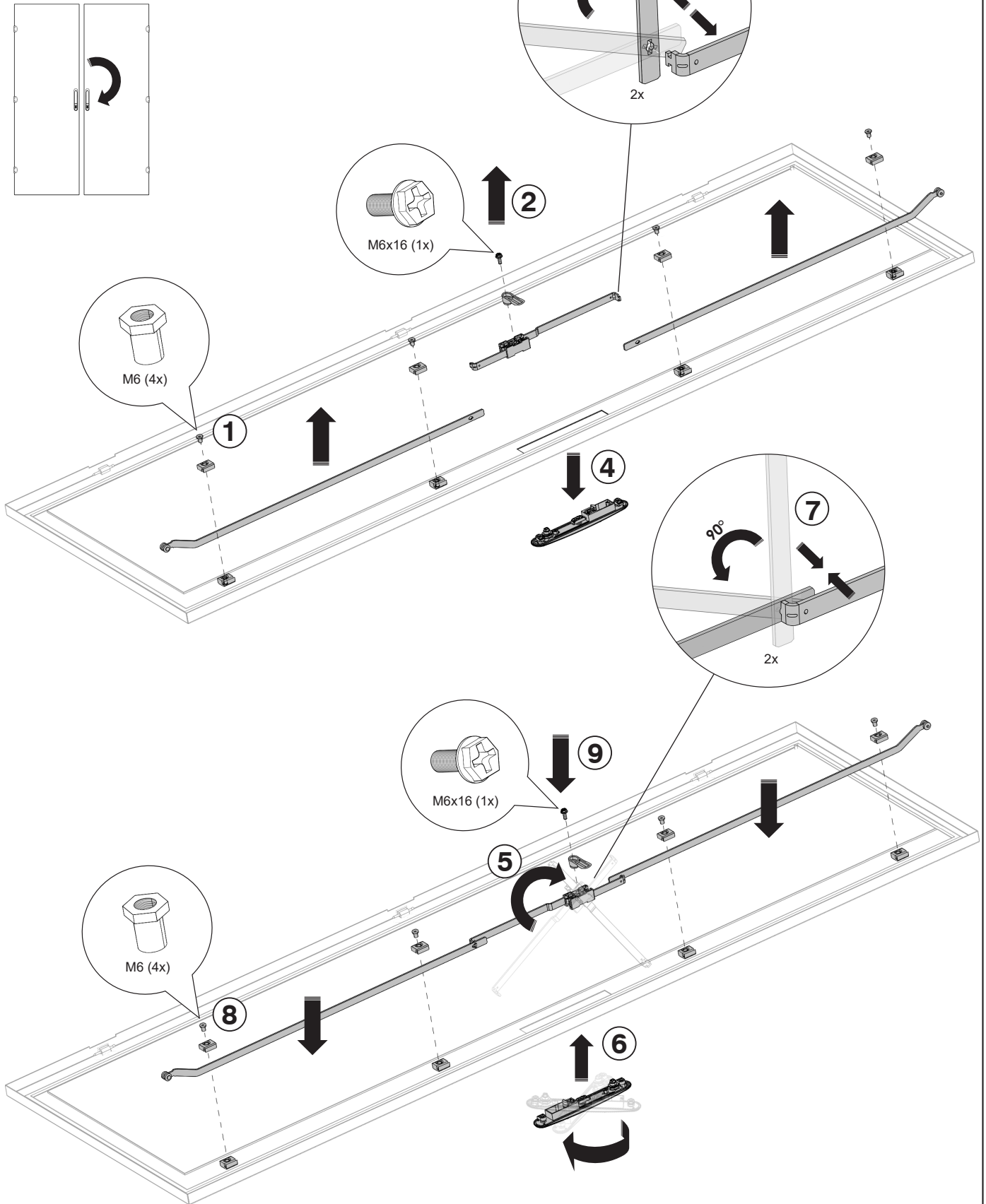
*Mounting of door on the right (1/2)*

*Montage de porte à droite (1/2)*

*Montaje de puerta a la derecha (1/2)*

*Montage der rechten Tür (1/2)*



**Montaggio porta a destra (2/2)***Mounting of door on the right (2/2)**Montage de porte à droite (2/2)**Montaje de puerta a la derecha (2/2)**Montage der rechten Tür (2/2)*

4

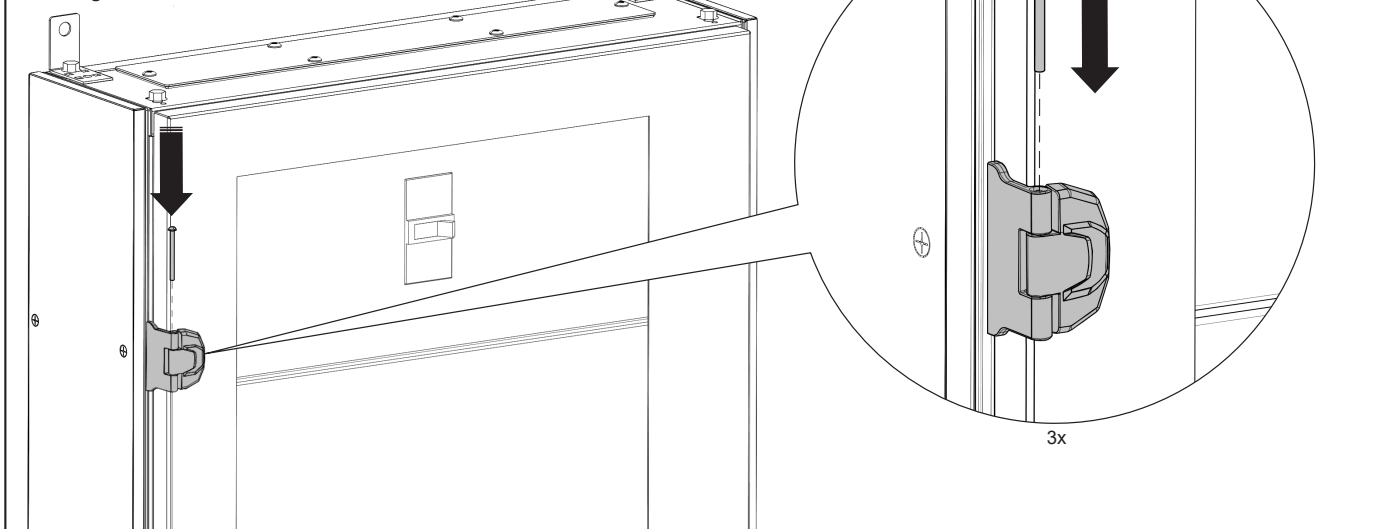
**Montaggio porta**

*Mounting of door*

*Montage de porte*

*Montaje de puerta*

*Montage der Tür*



5

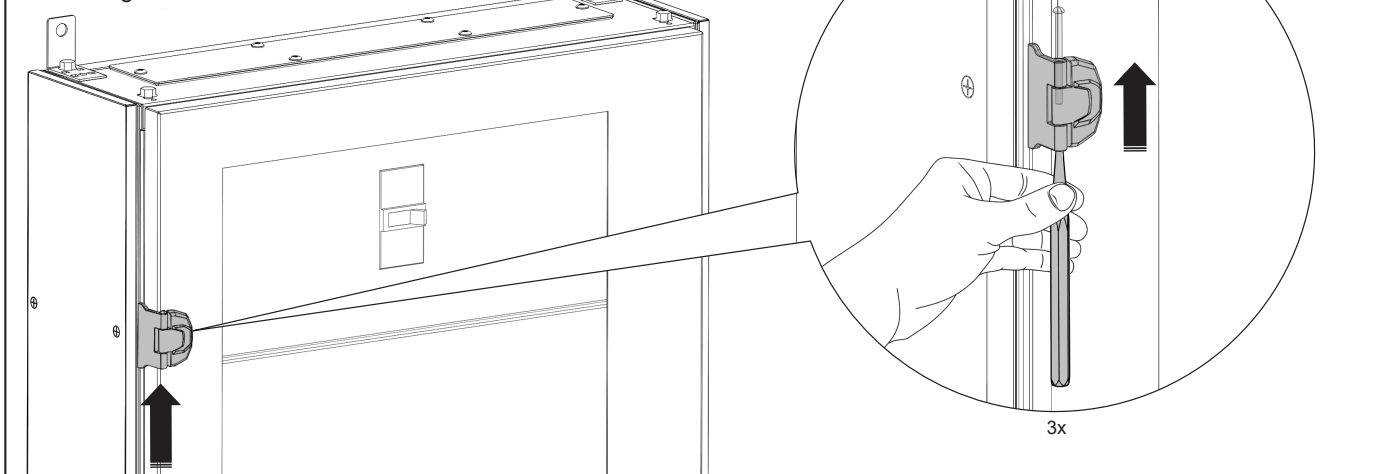
**Smontaggio porta**

*Disassembly of door*

*Démontage de porte*

*Desmontaje de puerta*

*Demontage der Tür*



6

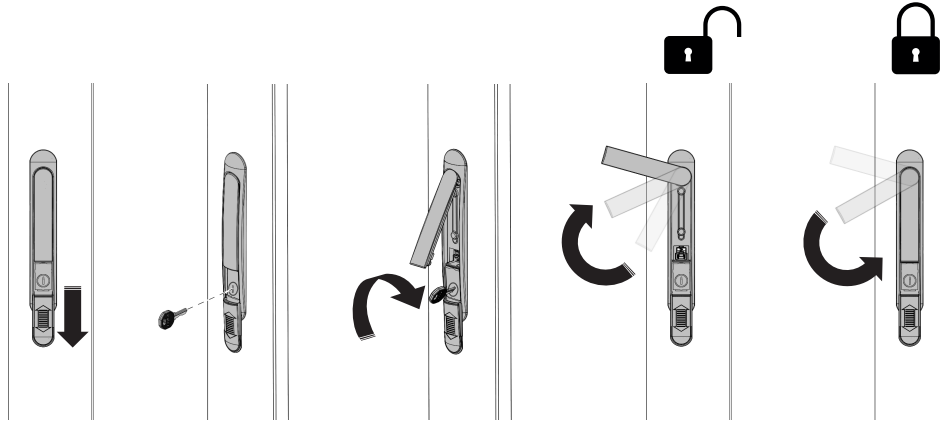
**Apertura/Chiusura porta**

*Opening/Closing of door*

*Ouverture/Fermeture de porte*

*Apertura/Cierre de puerta*

*Öffnung/Schliessen der Tür*



Punto di contatto indicato in adempimento ai fini delle direttive e regolamenti UE applicabili:

*Contact details according to the relevant European Directives and Regulations:*

**GEWISS S.p.A. Via A.Volta, 1 IT-24069 Cenate Sotto (BG) Italy tel: +39 035 946 111 E-mail: qualitymarks@gewiss.com**



**+39 035 946 111**

8.30 - 12.30 / 14.00 - 18.00  
lunedì ÷ venerdì - monday ÷ friday



**+39 035 946 260**



**sat@gewiss.com**  
**www.gewiss.com**