


44423276	DATA SHEET	
Valid from: 05.07.2021	EPIC® MH Gigabit Module	

Description

- Modular connector, matable with the market standard
- Gigabit module for Ethernet
- in connection with Cat.7 Cu-Cables, a transmission rate up to max. 10 Gbit/s (nach IEEE 802.3an) is reached.



Nr Einzelteil No. Single Part	Bezeichnung / Designation	EPIC® MHS Gigabit Kit Small 44423291	EPIC® MHB Gigabit Kit Small 44423292	EPIC® MHS Gigabit Kit Medium 44423326	EPIC® MHB Gigabit Kit Medium 44423327
44423276	EPIC® MHS Gigabit	1	-	1	-
44423277	EPIC® MHB Gigabit	-	1	-	1
44423278	EPIC® MHS Gigabit PIN	1	-	1	-
44423279	EPIC® MHS Gigabit PIN + GND	-	-	-	-
44423280	EPIC® MHB Gigabit PIN	-	1	-	1
44423281	EPIC® MHB Gigabit PIN + GND	-	-	-	-
44423282	EPIC® MH Clamp 5 - 7 mm	1	1	-	-
44423283	EPIC® MH Clamp 7 - 10 mm	-	-	1	1
44423284	EPIC® MH Clamp 10 - 12 mm	-	-	-	-
44423285	EPIC® MH SCEM 0.09 - 0.25sqmm D=1.0	10	-	-	-
44423286	EPIC® MH BCEM 0.09 - 0.25sqmm D=1.0	-	10	-	-
44423287	EPIC® MH SCEM 0.13 - 0.33sqmm D=1.0	-	-	10	-
44423288	EPIC® MH BCEM 0.13 - 0.33sqmm D=1.0	-	-	-	10
44423289	EPIC® MH SCEM 0.25 - 0.52sqmm D=1.0	-	-	-	-
44423290	EPIC® MH BCEM 0.25 - 0.52sqmm D=1.0	-	-	-	-


General Characteristics

Series	EPIC® MH Gigabit Module
Version	Male + housing/Female + housing
Number of Contacts	8
Termination Methods	Crimp termination 0,09 - 0,52 mm ² (AWG 28 up to AWG 20)
Temperature Range	-40°C to +100°C, short-term up to +125°C

Mechanical Characteristics

Cycle of mechanical operation	500
-------------------------------	-----

Creator: JOKR1/PDP Released: IVSE1/PDP	Document: DB44423276EN Version: 00	Page 1 of 3
---	---------------------------------------	-------------

44423276	DATA SHEET	
Valid from: 05.07.2021	EPIC® MH Gigabit Module	

Electrical Characteristics

Rated Voltage, IEC	50 V
Rated Impulse Voltage	0,8 kV
Rated Current, IEC	5 A
Contact Resistance	< 2 mOhm
Degree of Soiling	3

Materials and Surfaces

Contacts	Copper alloy, gold-plated
Insulating Body	Thermoplast/Zinc-die-casting
Flammability Class according to UL 94	V0

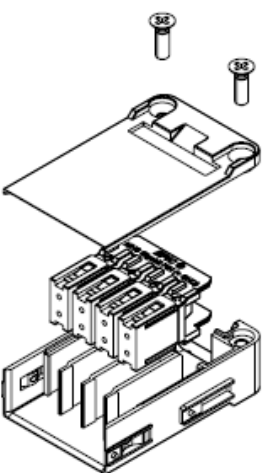
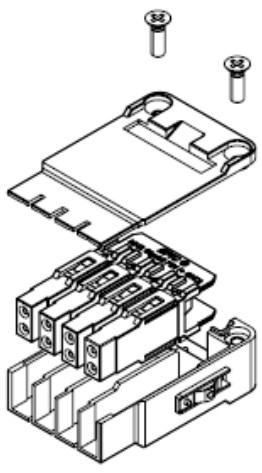
Standard

Safety Standard	IEC 61984
-----------------	-----------


Standard

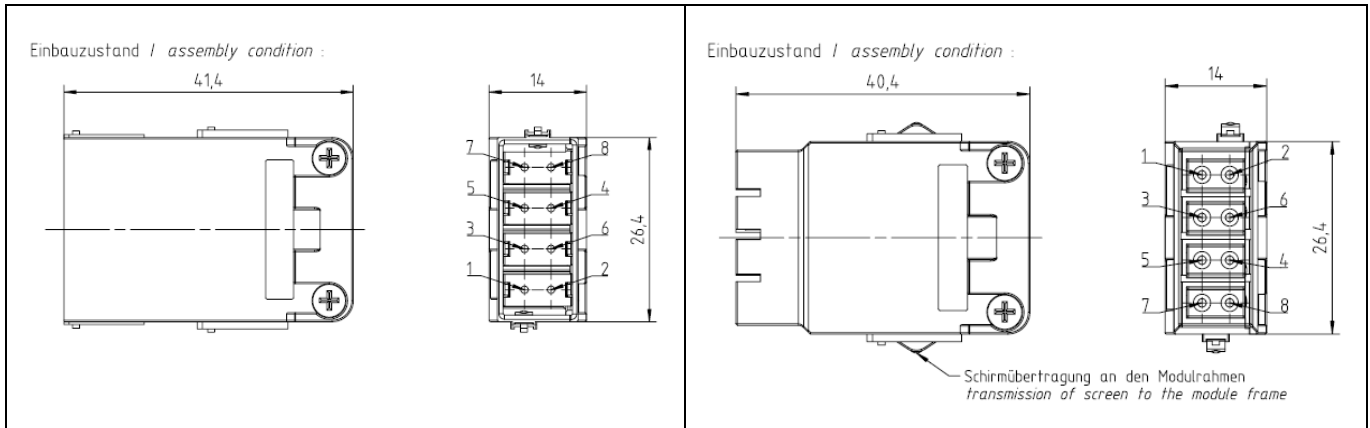
Safety Standard	IEC 61984, UL 2238, CSA 22.2 182.3
-----------------	------------------------------------

Technical Drawing

Male insert	Female insert
<p>Lieferzustand / <i>delivery condition</i> :</p>  <p>Komponenten lose verpackt im Polybeutel <i>components loose in a poly bag</i></p>	<p>Lieferzustand / <i>delivery condition</i> :</p>  <p>Komponenten lose verpackt im Polybeutel <i>components loose in a poly bag</i></p>

Creator: JOKR1/PDP Released: IVSE1/PDP	Document: DB44423276EN Version: 00	Page 2 of 3
---	---------------------------------------	-------------

44423276	DATA SHEET	
Valid from: 05.07.2021	EPIC® MH Gigabit Module	



Robust



Temperature-resistant

Info

Multifunctional insert for versatile applications

Application range

Mechanical engineering
Light & sound technology
Plastics industry

Remark

Photographs are not to scale and do not represent detailed images of the respective products.

Creator: JOKR1/PDP Released: IVSE1/PDP	Document: DB44423276EN Version: 00	Page 3 of 3
---	---------------------------------------	-------------