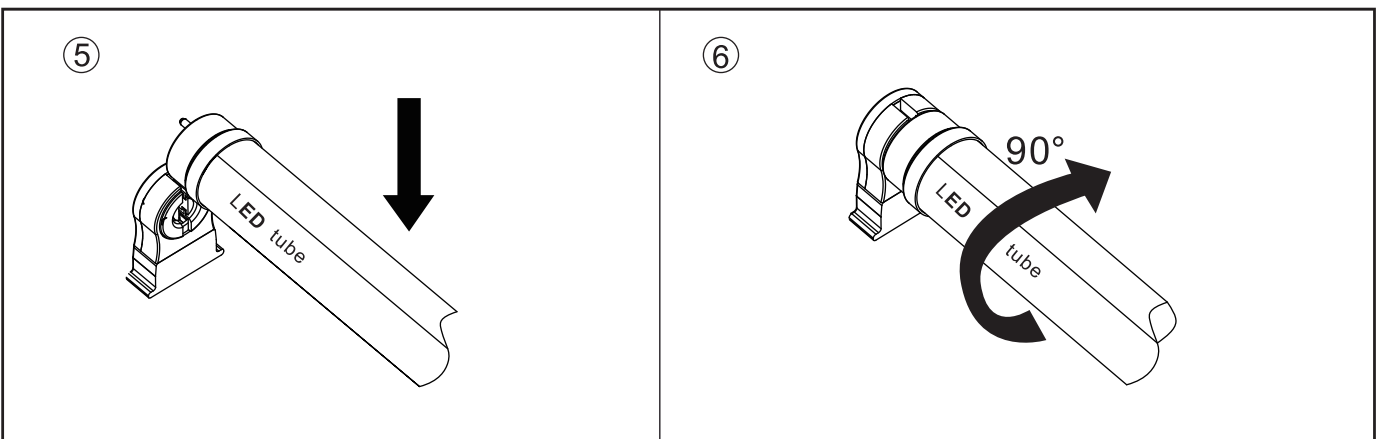
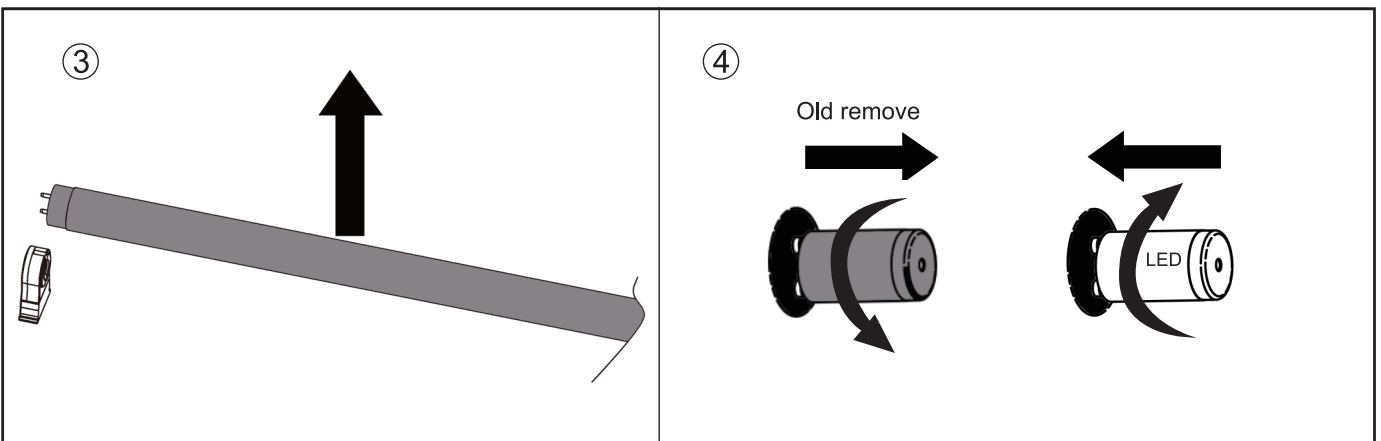
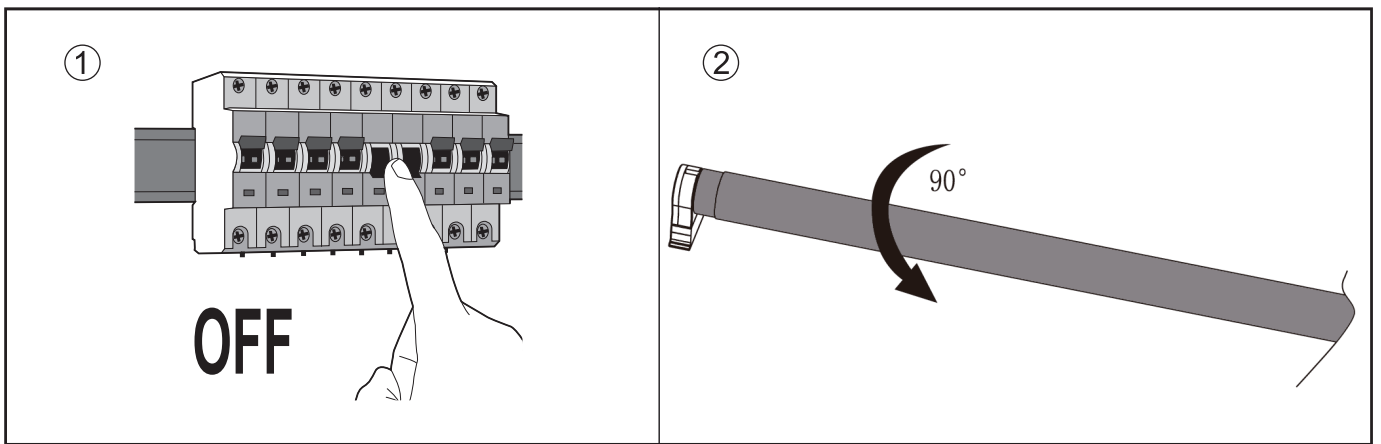


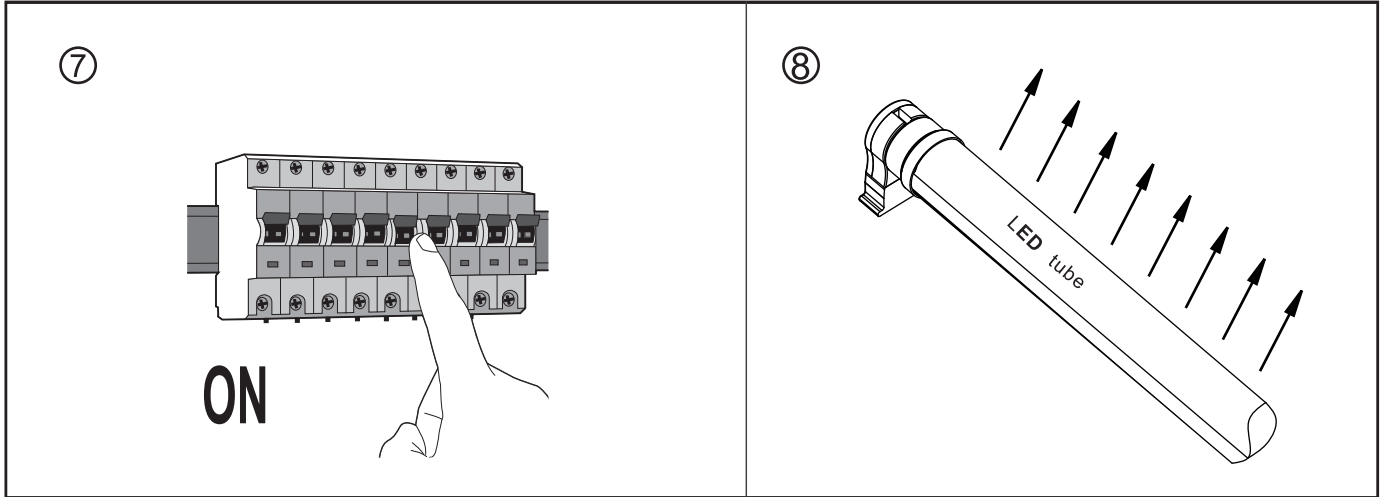
T8 LED tube

Version date 07-07-2017
www.opple.com

| Art. Code | Family Name | CCT | kg |
|-----------|-------------|-------|-------|
| 140062610 | T8 | 3000K | 0.113 |
| 140062611 | T8 | 4000K | 0.113 |
| 140062612 | T8 | 6500K | 0.113 |
| 140062613 | T8 | 3000K | 0.207 |
| 140062614 | T8 | 4000K | 0.207 |
| 140062615 | T8 | 6500K | 0.207 |
| 140062616 | T8 | 3000K | 0.262 |
| 140062617 | T8 | 4000K | 0.262 |
| 140062618 | T8 | 6500K | 0.262 |



T8 LED tube



Package
OPPLE T8 LED tube
Installer instruction
Starter for T8 LED tube only



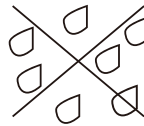
Lamp suitable for 220~240v,50/60Hz operation



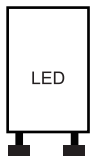
Lamp not suitable for emergency operation



Dimming not allowed



Lamp to be used in dry conditions or in a luminaire that provides protection



LED replacement starter

OPPLE T8 tube is designed for use in standard IEC compliant G13 bi-pin lamp holder only.
No modifications to be made to the luminaire in which the LED lamp is used.
This lamp is designed for general lighting service (excluding for example explosion proof applications).

Data subject to change
Les données sont sujettes à variations
Änderungen vorbehalten

Opplé Lighting Electronic (Zhongshan) Co., Ltd.
528422
Building A, No.275 Dongan Bei Road,
Haizhou District, Guzhen Town,
Zhongshan City, Guangdong, China.

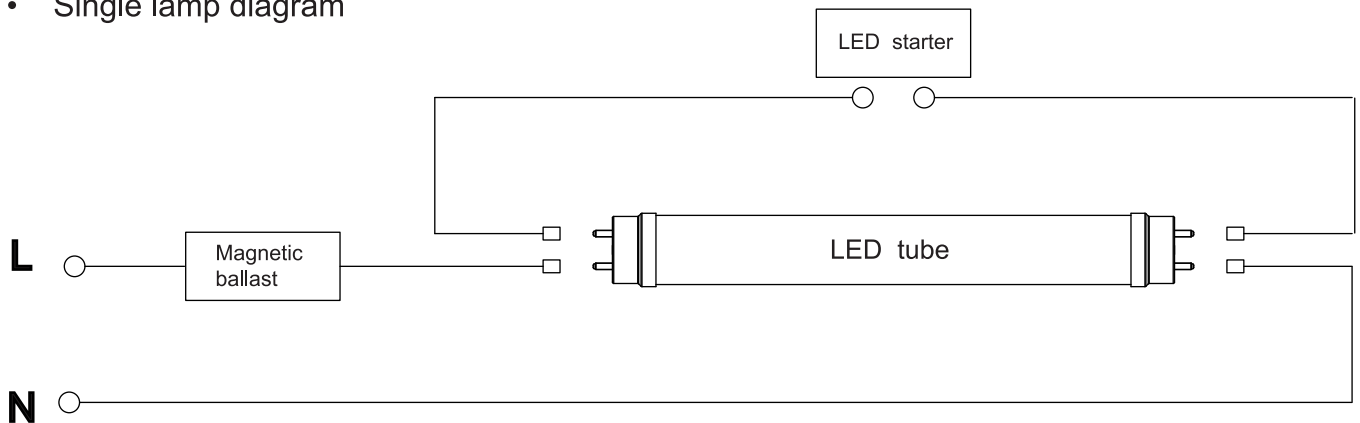
OPPLE Lighting B.V.
Materiaalweg 6-6A
5681 RJ Best
The Netherlands
service@opple.com
www.opple.com

T8 LED tube

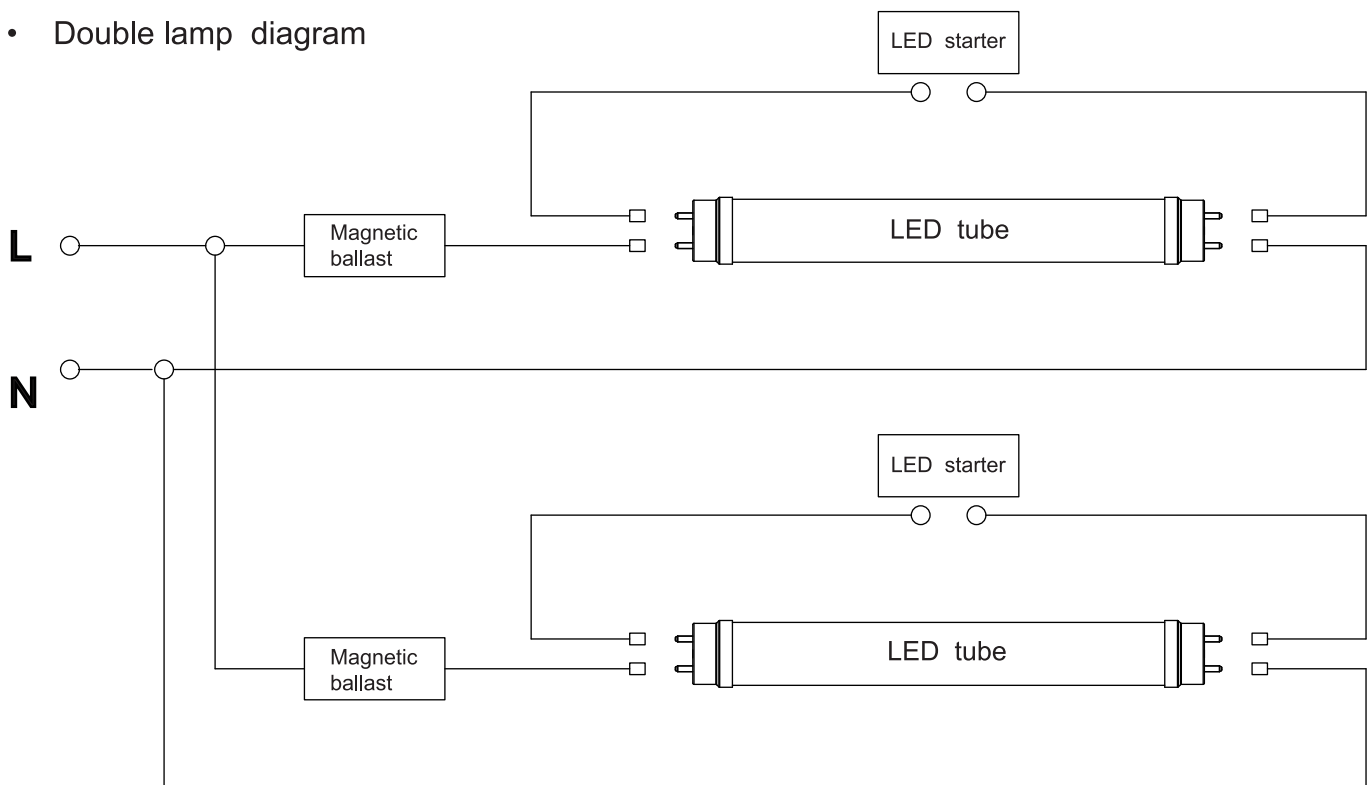
Retrofitting a CCG luminaire (according to EN62776)

- The fluorescent T8 lamp needs to be replaced by the Opple T8 LED tube and the fluorescent starter needs to be replaced with a LED starter.
 - The built in CCG can be used as it is and existing certifications remain valid. Its losses are reduced to ohmic losses of around 1W.
 - Opple T8 tube can be used in luminaires with integrated compensating capacitors.
 - Opple T8 tube has single-ended connection. Power input is at the side with the Opple logo.
- NOTE: If the fluorescent starter hasn't been changed with the LED starter, the luminaire will blink. Please switch it off and change the starter, otherwise the LED tube may be damaged. Opple T8 LED tube can only be used in luminaires with changeable starters.

- Single lamp diagram



- Double lamp diagram



Important Notes

- Rework by qualified electricians only.
- Make sure that the supply voltage is disconnected.
- Remove the conventional lamp.
- Remove power correction capacitor (if any) to improve power factor.
- Rewire the luminaire as shown on the diagrams.
- Insert T8 LED tube into lamp holders and check light distribution angles.
- Make sure with that the rewired luminaire complies to all safety requirements.
- Do not insert fluorescent lamps, the lamps would break down and damage the luminaire.
- Responsibility of technical and safety consequences of the converted luminaire is with the installer carrying out the replacement.

OPPLE T8 tube is designed for use in standard IEC compliant G13 bi-pin lamp holder only.
No modifications to be made to the luminaire in which the LED lamp is used .
This lamp is designed for general lighting service (excluding for example explosion proof applications).