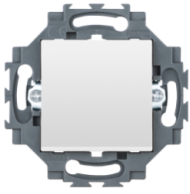


Product Data Sheet

GW35002W

DAHLIA - Domestic range

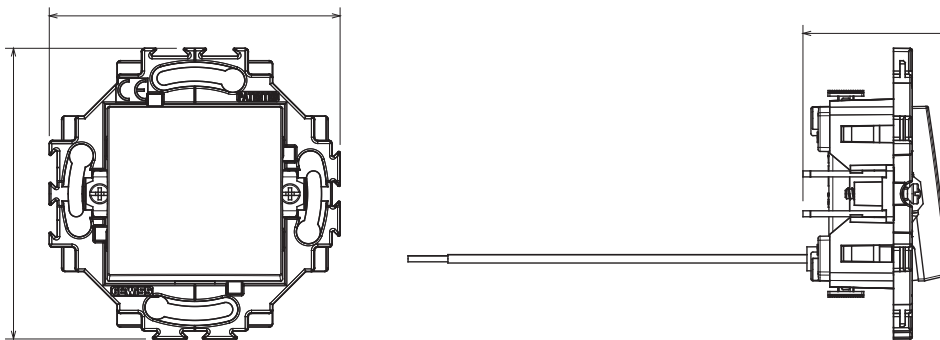


Residential series suitable for installations on round and square boxes, characterised by an elegant appearance and classic shapes. The plates, made of technopolymer in seven colours and with different modularities, from 1 to 5-gang, can be installed in both horizontal and vertical positions. The series, developed around a core of monobloc devices, is available in two colours: white and ivory, both with a glossy finish. Expandable with ChorusSmart modular devices.

| | | | |
|---|--|---------------------------------|------------------------|
| Category | Switch | Button key | Neutral |
| Colour | White | Material | Technopolymer |
| Finishing | Glossy | Description | 1P - 10 AX backlit |
| Voltage | 250 V ac | Type of terminals | Screwless |
| Fixing | With clutches/Screws | Rated power of 230V LED lamps | 100 W |
| Glow wire test | 850 °C | Thermo-pressure with ball | 125 °C |
| Resistance at test voltage | 2000 V at 50 Hz for 1 minute | Insulation resistance | > 5 MOhm |
| Prolonged operation switch (no.of position changes) | 40.000 at In 250 V ac cosφ=0,6 | Terminal grip on cable traction | 30 N |
| Terminal tightening capacity | 0,5-2x2,5 mm ² rigid cables | Standard | EN 60669-1; 2014/35/EU |

DIMENSIONAL

1,9
1,57



TECHNICAL SYMBOLOGY



STANDARDS/APPROVALS



GEWISS S.p.A. Via A. Volta, 1
24069 Cenate Sotto - Bergamo - Italy
tel. +39 035 94 61 11 fax +39 035 94 69 09

www.gewiss.com
sat@gewiss.com
Last update 20/04/2023

Data, measures, designs and pictures are shown only as informative purposes, and could be changed without previous notice