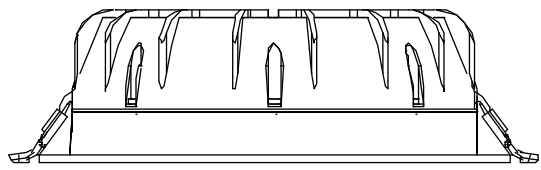
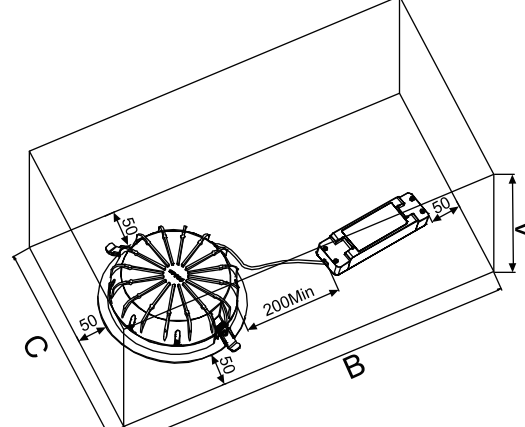
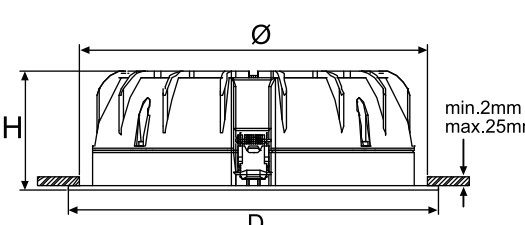


LED Downlight Performer

Item Code	CCT	kg
540001083500	3000K	0.44kg
540001083600	4000K	0.44kg
540001083700	3000K	0.76kg
540001083800	4000K	0.76kg
540001083900	3000K	0.76kg
540001084000	4000K	0.76kg
540001084100	3000K	0.76kg
540001084200	4000K	0.76kg
540001085900	3000K	0.44kg
540001086000	4000K	0.44kg
540001086100	3000K	0.76kg
540001086200	4000K	0.76kg
540001086300	3000K	0.76kg
540001086400	4000K	0.76kg
540001086500	3000K	0.76kg
540001086600	4000K	0.76kg

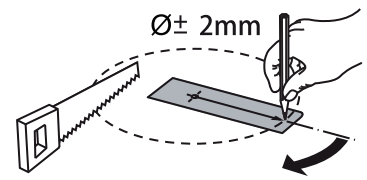



Type	A(mm)	B(mm)	C(mm)	Rated Voltage	Frequency	Rated Power
LED DL-RC-P-HG R150-11.5W	83	483	265	220-240V~	50/60Hz	11.5W
LED DL-RC-P-HG R200-15W	123	543	325	220-240V~	50/60Hz	15W
LED DL-RC-P-HG R200-23W	123	543	325	220-240V~	50/60Hz	23W
LED DL-RC-P-HG R200-33W	123	543	325	220-240V~	50/60Hz	33W
LED DL-RC-P-MW R150-11.5W	83	483	265	220-240V~	50/60Hz	11.5W
LED DL-RC-P-MW R200-15W	123	543	325	220-240V~	50/60Hz	15W
LED DL-RC-P-MW R200-23W	123	543	325	220-240V~	50/60Hz	23W
LED DL-RC-P-MW R200-33W	123	543	325	220-240V~	50/60Hz	33W



Type	H(mm)	Ø(mm)	D(mm)
LED DL-RC-P-HG R150-11.5W	58	140-150	165
LED DL-RC-P-HG R200-15W	73	200	225
LED DL-RC-P-HG R200-23W	73	200	225
LED DL-RC-P-HG R200-33W	73	200	225
LED DL-RC-P-MW R150-11.5W	58	140-150	165
LED DL-RC-P-MW R200-15W	73	200	225
LED DL-RC-P-MW R200-23W	73	200	225
LED DL-RC-P-MW R200-33W	73	200	225

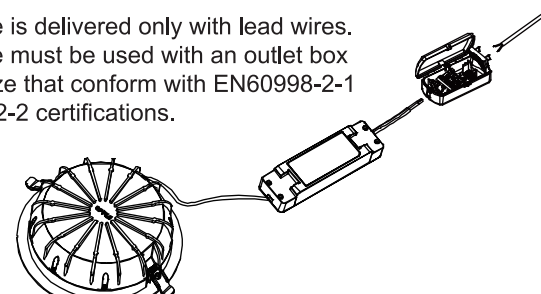
①



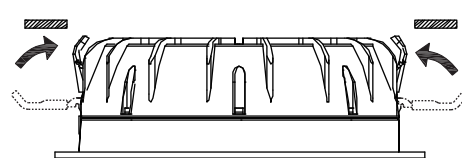
Type	Ø(mm)
LED DL-RC-P-HG R150-11.5W	140-150
LED DL-RC-P-HG R200-15W	200
LED DL-RC-P-HG R200-23W	200
LED DL-RC-P-HG R200-33W	200
LED DL-RC-P-MW R150-11.5W	140-150
LED DL-RC-P-MW R200-15W	200
LED DL-RC-P-MW R200-23W	200
LED DL-RC-P-MW R200-33W	200

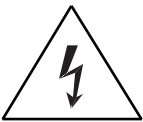
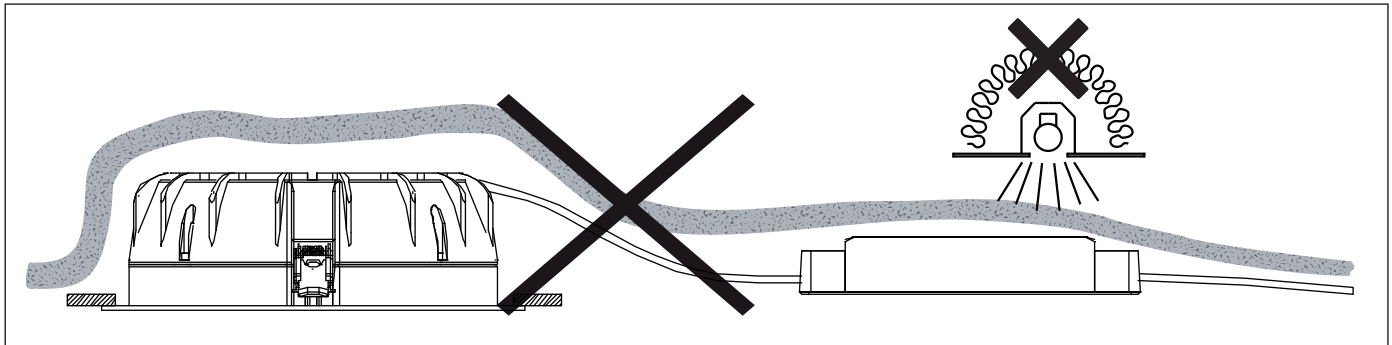
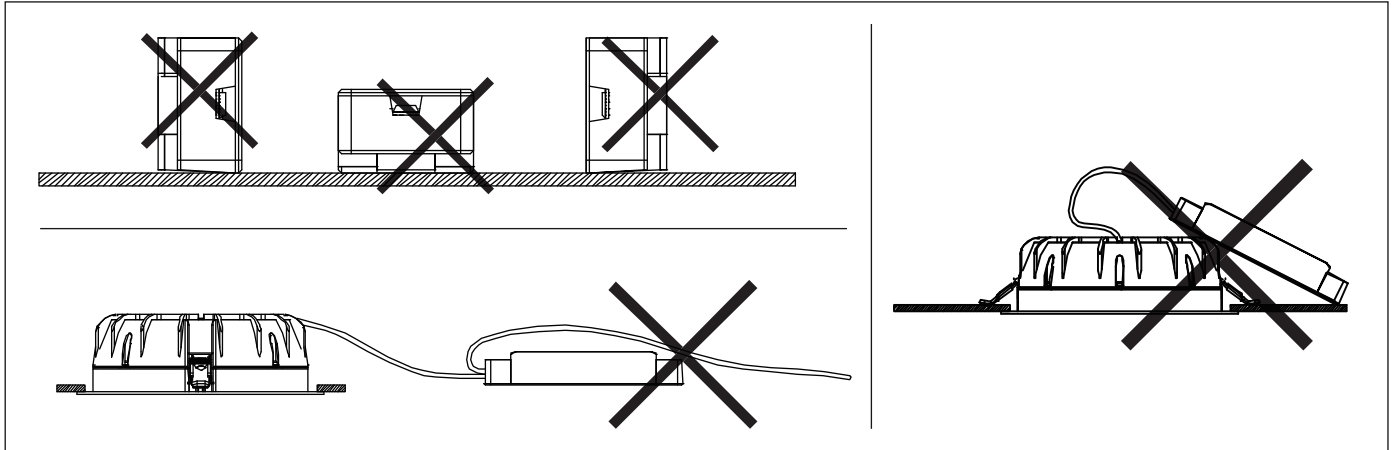
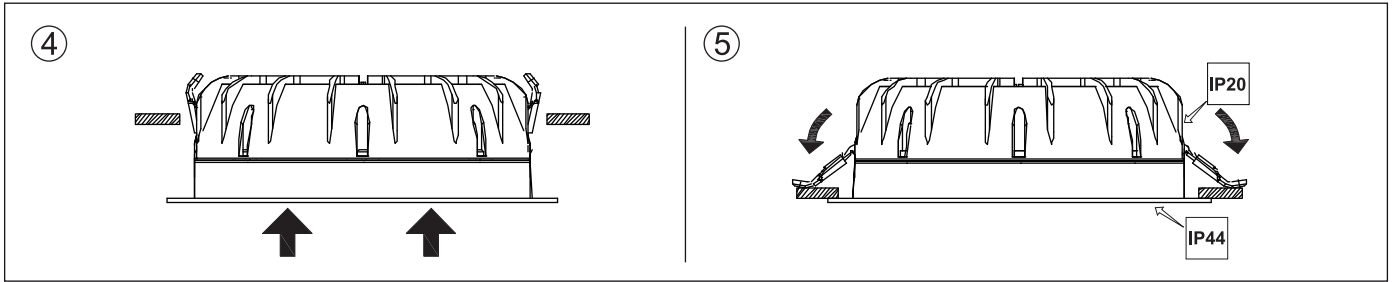
The luminaire is delivered only with lead wires. The luminaire must be used with an outlet box of suitable size that conform with EN60998-2-1 or EN60998-2-2 certifications.

②



③





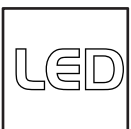
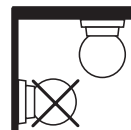
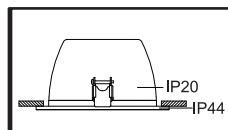
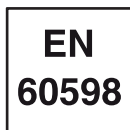
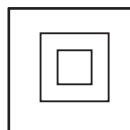
For non-user replaceable light sources.
 "The light source contained in this luminaire shall only be replaced by the manufacturer or his service agent or a similar qualified person."



Luminaires not suitable for covering with thermally insulating material.
 Leuchten sind nicht mit thermisch isolierenden Materialien abzudecken.



In case of damage to the wire, it has to be replaced only by the manufacturer, distributor or by an expert, to avoid risks.
 Zur Vermeidung von Risiken müssen defekte Leitungen ausschließlich vom Hersteller, Inverkehrbringer oder Fachmann ausgetauscht werden.



Opplé Lighting Electronic (Zhongshan) Co., Ltd.
 Building A, No.275 Dongan Bei Road,
 Haizhou District,
 Guzhen Town,
 Zhongshan City,
 Guangdong, China.

OPPLE Lighting B.V.
 Materiaalweg 6-6A
 5681 RJ Best
 The Netherlands
 service@opple.com
 www.opple.com

Data subject to change
 Les données sont sujettes à modifications
 Änderungen vorbehalten