

Product Data Sheet

DX45003

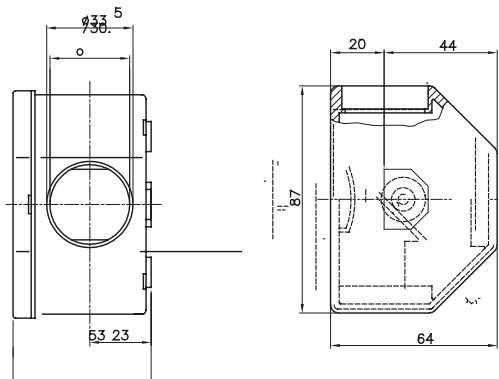
RK Range



Routing components for rigid protective conduits with IP40 and IP67 protection degree.

Colour	Grey RAL 7035	Outer dim. LxHxD (mm)	87x64x53
IP degree	IP54	Characteristics	Halogen free
Description	TX3-3 inputs	Electrocod	21221

DIMENSIONAL



TECHNICAL SYMBOLOGY

IP

HF
HALOGEN FREE

IP54

STANDARDS/APPROVALS

CE