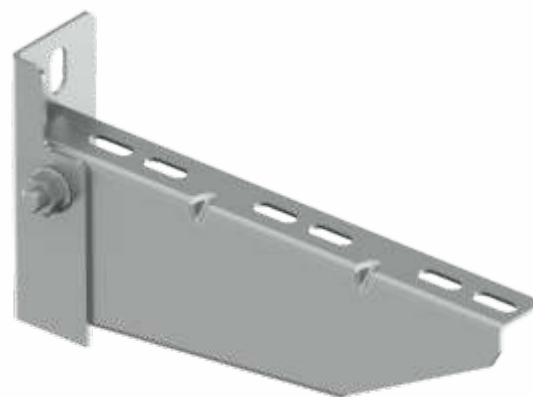


item number	A	B	C	weight (kg/pc)	max. load (kg)
<b>INOXDS 200_IX</b>	222	104	60	0,37	150
<b>INOXDS 300_IX</b>	322	110	70	0,47	130
<b>INOXDS 400_IX</b>	422	116	80	0,61	100



product description: The bracket is used as an element to create a supporting structure for a cable tray.  
 It is designated for installation on the wall or mounting profile.  
 Attached to the wall using 2 pcs Ø 8 mm anchors.  
 NIXSM 6X10 bolts are used to attach the cable tray to the bracket. To protect the cables, the bolt head is inside the cable tray.

material: IX - stainless steel AISI 304

sales amount: á 1 pc

meets the requirements: ČSN EN 61537

storage: ČSN EN 60721-3-1

