

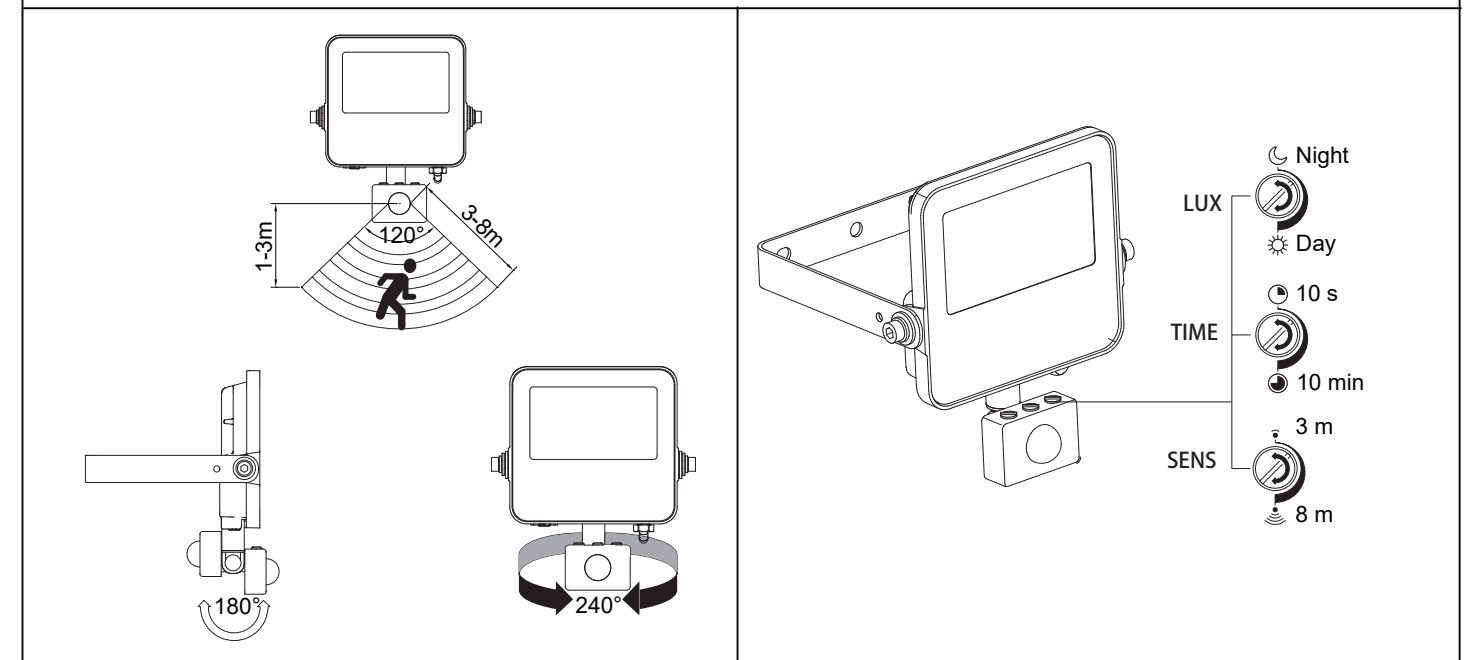
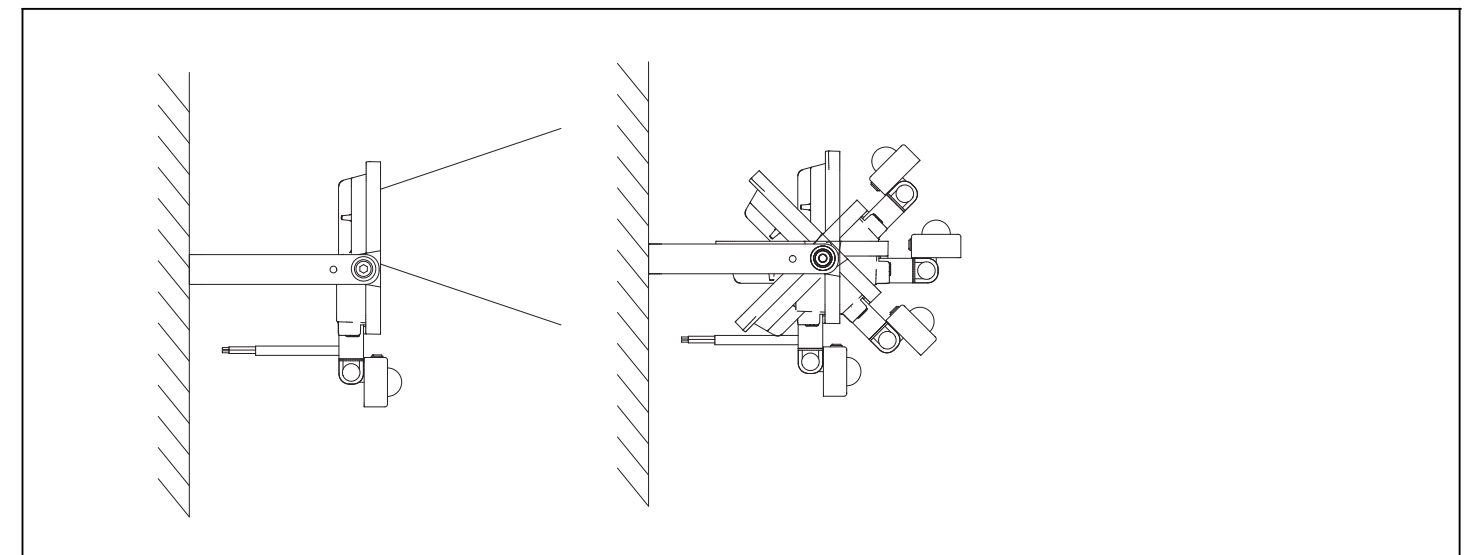
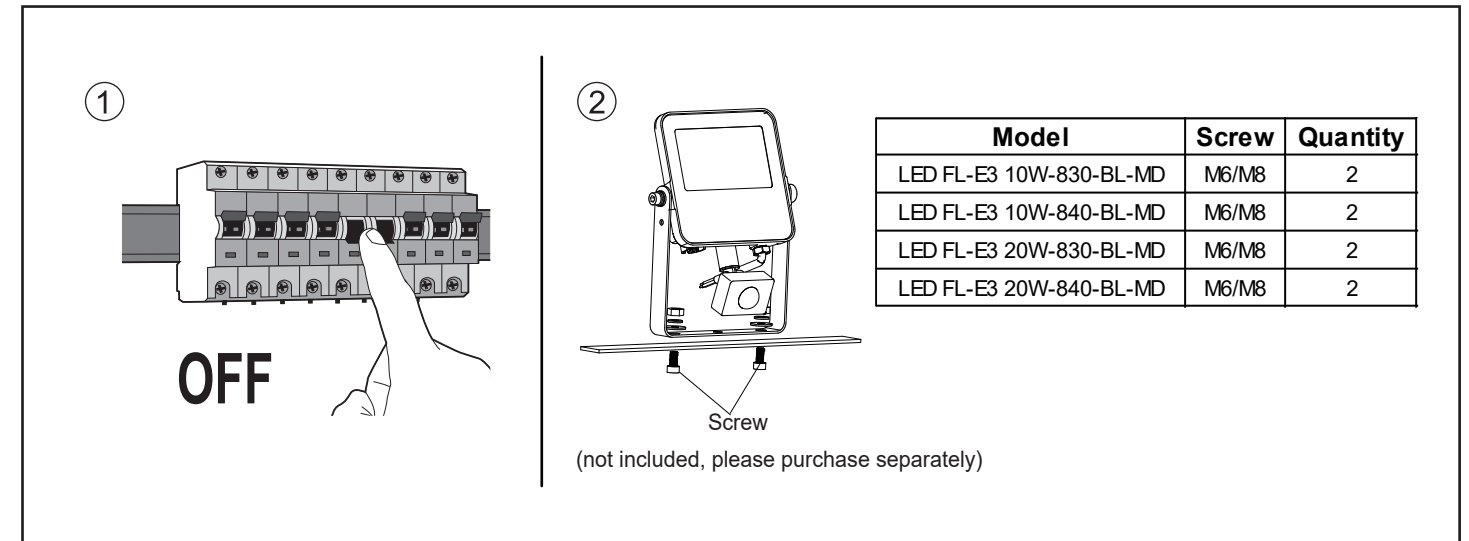
Technical Specification

Product Code	Model	CCT	Weight (kg)	L(mm)	W(mm)	H(mm)	D(mm)	MPA (m ²)
709000072300	LED FL-E3 10W-830-BL-MD	3000K	0.77kg	172	133	34	106	0.019
709000072500	LED FL-E3 10W-840-BL-MD	4000K	0.77kg	172	133	34	106	0.019
709000072400	LED FL-E3 20W-830-BL-MD	3000K	0.78kg	172	133	34	106	0.019
709000072600	LED FL-E3 20W-840-BL-MD	4000K	0.78kg	172	133	34	106	0.019

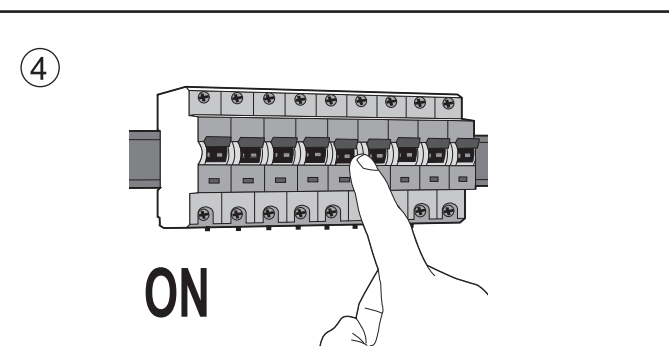
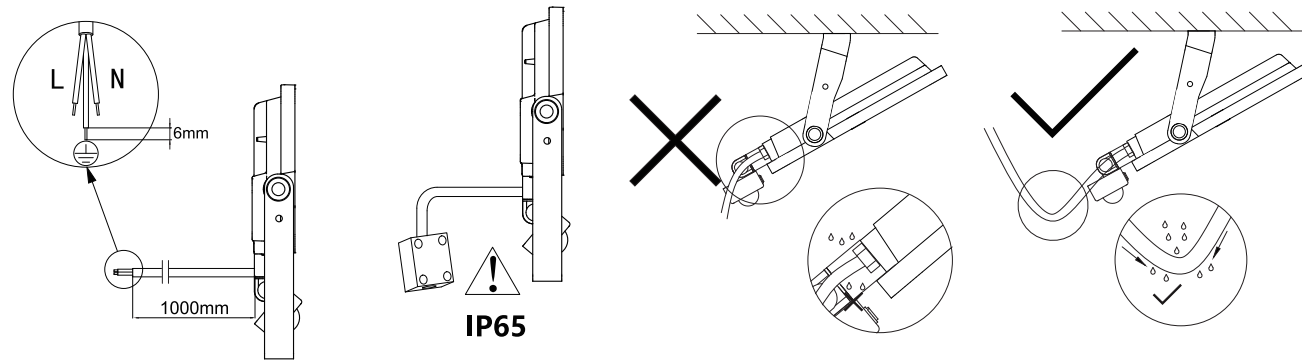
MPA: Maximum Projected Area of the floodlight

Light Source

Product Code	Product Description	N	Light Source Code	QR Code	Energy Label
709000072300	LED Flood-E3 Re144-10W-830-BL-MD	1	LS074001012-04		
709000072500	LED Flood-E3 Re144-10W-840-BL-MD	1	LS074001015-04		
709000072400	LED Flood-E3 Re144-20W-830-BL-MD	1	LS074002012-04		
709000072600	LED Flood-E3 Re144-20W-840-BL-MD	1	LS074002015-04		



③ Additional IP65 waterproof connection box (Not included in packaging) is necessary for power connection to ensure the waterproof performance and safety. The connection box and terminal block in it should conform to EN 60998-2-1 or EN 60998-2-2 (Purchase Separately). The terminal should be adapted to 0.75-1.5mm² wire.



- a) Applications : yards, buildings, squares, etc.
- b) Range of mounting heights : from ground to buildings.
- c) Suitability for use outdoors .



In case of broken glass the luminaire should be disposed of.

In case of damage to the wire, it has to be replaced only by the manufacturer, distributor or by an expert, to avoid risks.



Caution: Any operation on LED module is forbidden while power-on.

Zur Vermeidung von Risiken müssen defekte Leitungen ausschließlich vom Hersteller, Inverkehrbringer oder Fachmann ausgetauscht werden.

Achtung: In Betrieb ist keine Arbeit am LED-Modul erlaubt.

The light source of this luminaire is not replaceable; when the light source reaches its end of life the whole luminaire shall be replaced.

Das Leuchtmittel dieser Leuchte ist nicht austauschbar. Wenn das Leuchtmittel das Ende seiner Lebensdauer erreicht hat, muss die gesamte Leuchte ersetzt werden.



For use in environments where normal non-conductive/conductive dust accumulation may be expected, not for use in environments with expected high/unusual dust accumulation.



Suzhou Oppl Lighting Co.,Ltd.
215200
East Side, Fenyang Road,
Fenhu Economic Development Zone,
Wujiang City, Jiangsu Province,
P.R.China

Oppl Lighting BV
Meerenakkerweg 1-07
5652 AR Eindhoven
The Netherlands
service@opple.com
www.opple.com