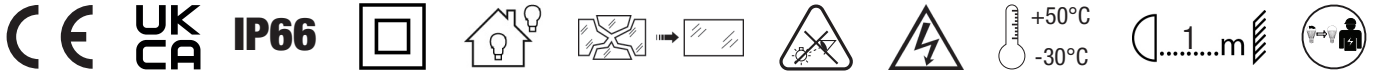
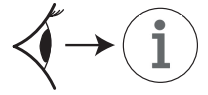
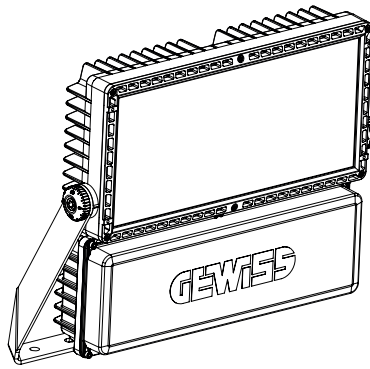


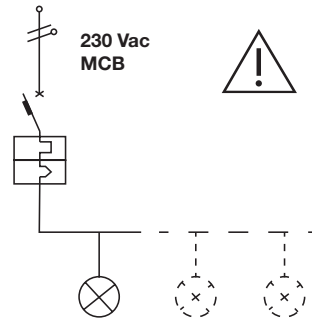
# SMART PRO 2.0



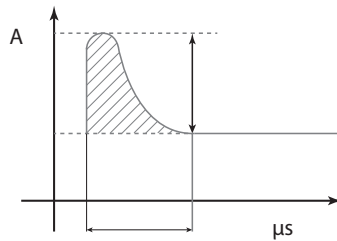
					<b>V</b>	<b>I</b>	<b>W</b>	<b>t<sub>a</sub></b>
	13	Max. 50 m	0,047 m <sup>2</sup>	0,17 m <sup>2</sup>	220-240 V 50/60 Hz	Max 0,7A	330W	Max 50°C



LED CCT	≤ 5700 K
Optics	RG1
S1	10 m
S2	10 m
A1	10 m
A2	10 m
A3	12,5 m
C4	11 m
C3	11 m
C2	11 m
C1	11 m



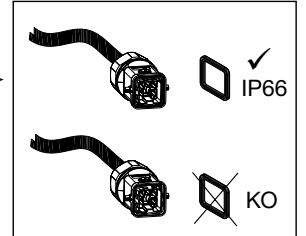
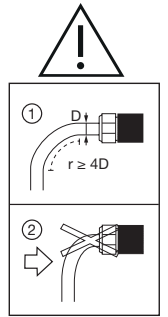
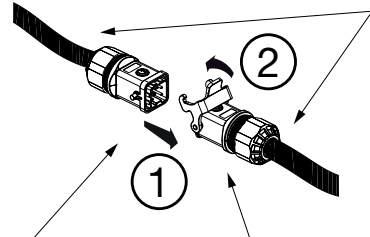
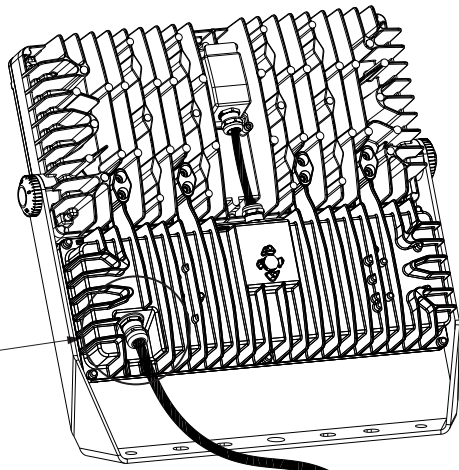
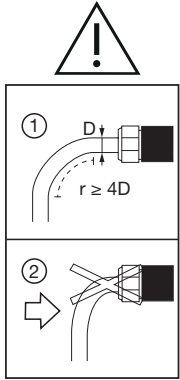
MCB Type B:	10A	16A	20A
	-	1	1
MCB Type C:	10A	16A	20A
	1	3	4
MCB Type D:	10A	16A	20A
	4	8	10



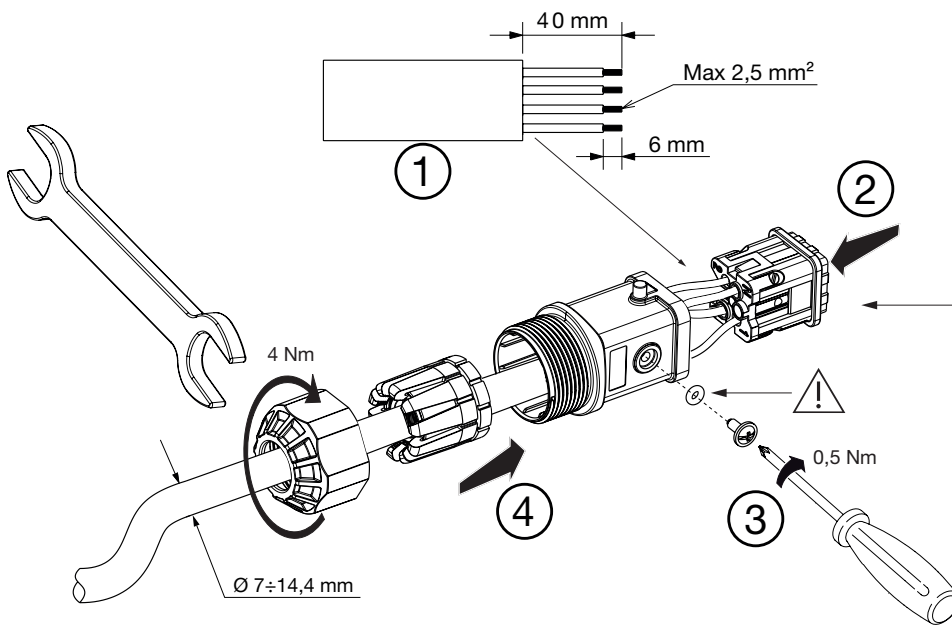
	I <sub>LED</sub>	LED driver Inrush Current Peak and Width
1-10V	Max. 700 mA	60A / 400 μs
DALI	Max. 700 mA	13A / 1400 μs



# DALI



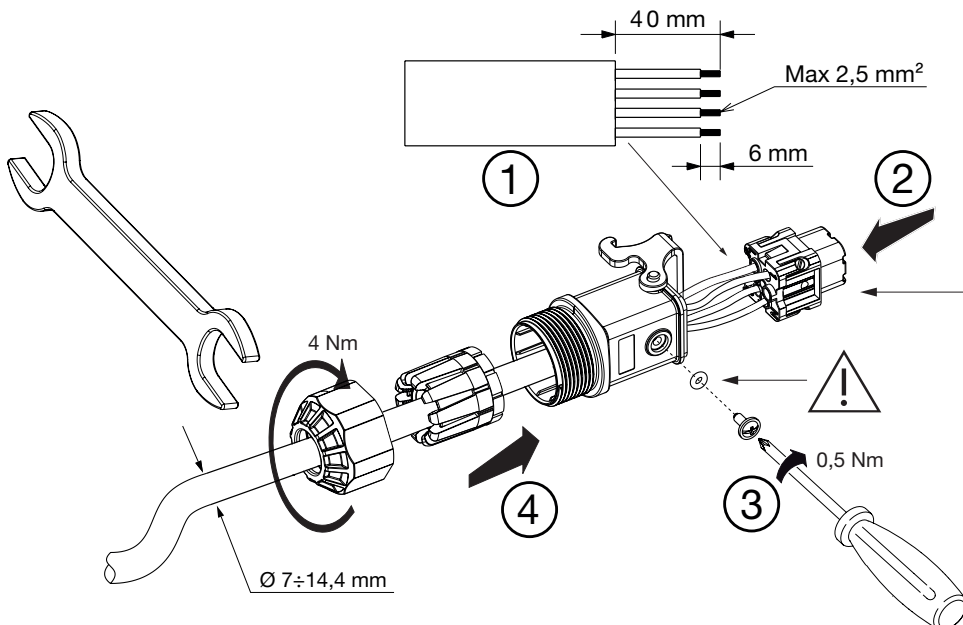
## A



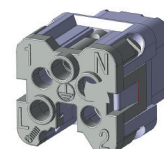
DALI		
L	=	L
N	=	N
②	=	DA+
①	=	DA-



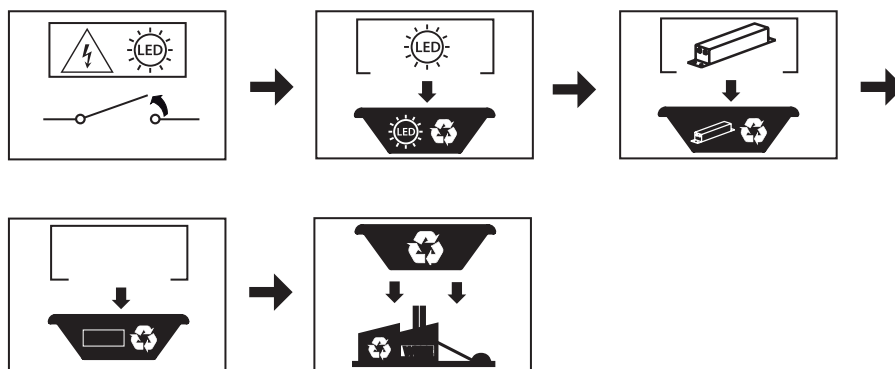
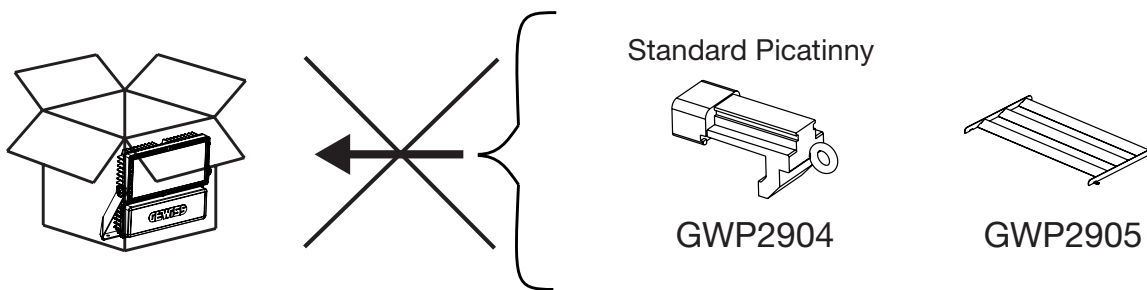
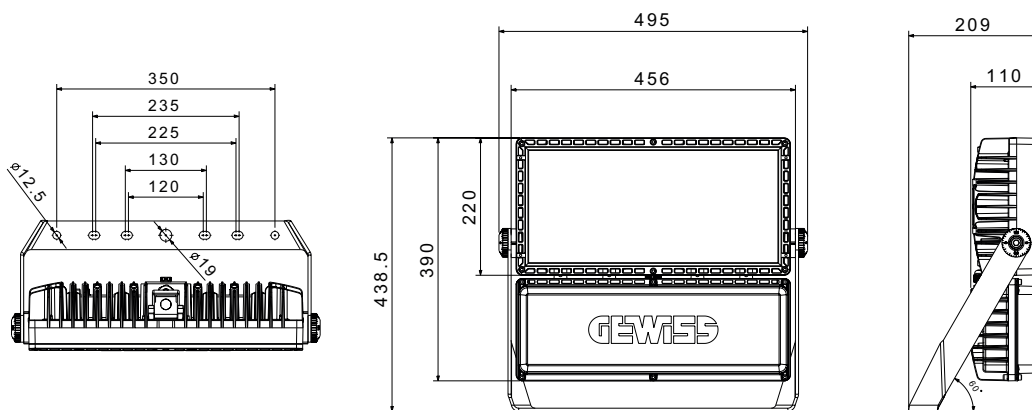
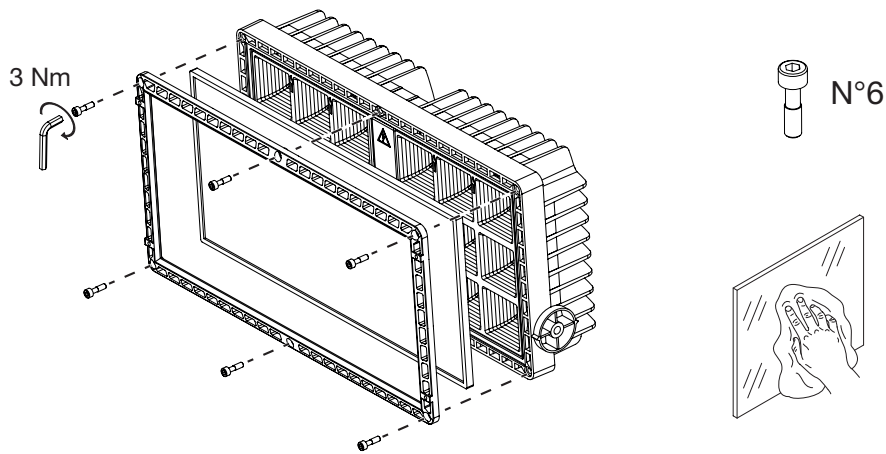
## B



DALI		
L	=	L
N	=	N
②	=	DA+
①	=	DA-







Punto di contatto indicato in adempimento ai fini delle direttive e regolamenti UE applicabili:  
 Contact details according to the relevant European Directives and Regulations:  
 GEWISS S.p.A. Via A.Volta, 1 IT-24069 Cenate Sotto (BG) Italy tel: +39 035 946 111 E-mail: qualitymarks@gewiss.com

According to applicable UK regulations, the company responsible for placing the goods in UK market is:  
 GEWISS UK LTD - Unity House, Compass Point Business Park, 9 Stocks Bridge Way, ST IVES  
 Cambridgeshire, PE27 5JL, United Kingdom tel: +44 1954 712757 E-mail: gewiss-uk@gewiss.com

**+39 035 946 11**  
 8:30 - 12:30 / 14:00 - 18:00  
 lunedì - venerdì / monday - friday

[www.gewiss.com](http://www.gewiss.com)

