



HF-Regulator Intelligent Touch DALI for PL-T/C and TL5C

HF-Ri TD 160 TL5C E+ 195-240V 50/60Hz

Intelligent high-frequency electronic dimming ballast, using DALI (Digital Addressable Lighting Interface according to IEC62386) or Touch and Dim push-button protocol for fluorescent lamps. Features Corridor Mode, programmable with Philips MultiOne. High-frequency operation improves light quality and lamp lifetime. Pre-empting upcoming legislation as it meets A1BAT requirements. The ballast is primarily designed for Indoor application. For outdoor application, the luminaire should be minimum Classland need to be sufficiently protected against water & dust. The installation should also be guard against any lightening surge or any other necessary electrical protection as deemed in such typical installation & application.

Product data

General Information	
Number of Lamps	1 piece/unit
Operating and Electrical	
Input Voltage	195-240 V
Line Frequency	50 to 60 Hz
Input Frequency	50 to 60 Hz
Earth Leakage Current (Max)	0.5 mA
Inrush Current Width	0.35 ms
Inrush Current Peak (Max)	45 A
Number of Products on MCB (16A Type B) (Nom)	12

Wiring	
Connector Type Input Terminals	WAGO 250 series
Connector Type Output Terminals	WAGO 250 series
Temperature	
Ambient temperature range	-25 °C to 50 °C
T-Case Lifetime (Max)	75 °C
T-Case Maximum (Max)	75 °C
Controls and Dimming	
Control Interface	TD

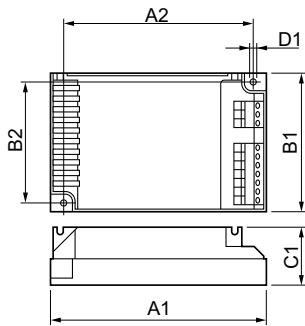
HF-Regulator Intelligent Touch DALI for PL-T/C and TL5C

Mechanical and Housing	
Housing	L 123x79x33
Approval and Application	
Ingress protection code	IP20 [Finger-protected]
Energy Efficiency Index	A1 BAT
Safety Standard	IEC 61347-2-3
Environmental Standard	-
Approval Marks	EMC CE marking ENEC certificate
Product Data	
Full product code	871829171862800

Order product name	HF-Ri TD 160 TL5C E+ 195-240V 50/60Hz
Order code	913700761966
Numerator - Quantity Per Pack	1
Numerator - Packs per outer box	12
Material number (12NC)	913700761966
Full product name	HF-Ri TD 160 TL5C E+ 195-240V 50/60Hz
EAN/UPC - Case	8718291718635



Dimensional drawing



A2

Product
HF-Ri TD 160 TL5C E+ 195-240V 50/60Hz

Product	A1	B1	C1	A2	B2	D1
HF-Ri TD 160 TL5C E+ 195-240V 50/60Hz	123.0 mm	79.0 mm	33.0 mm	111.0 mm	67.0 mm	4.5 mm

