



CorePro Plastic LEDbulbs

CorePro LEDbulb ND 5-40W A60 E27 840

The CorePro LED bulb is the perfect bulb for your basic lighting needs. It provides beautiful light and dependable performance you expect from LED at an affordable price. CorePro LEDbulbs are compatible with existing fixtures with an E27 or B22 holder and are designed for retrofit replacement of incandescent bulbs. They deliver huge energy savings of 80% and provides excellent quality of light. By offering a lifetime of 15,000 hours it reduces maintenance costs.

Product data

General Information	
Cap-Base	E27 [E27]
Nominal lifetime	15,000 hour(s)
Switching Cycle	50,000
Lighting Technology	LED
Flux measurement reference	Sphere

Light Technical	
Color Code	840 [CCT of 4000K]
Beam Angle (Nom)	200 degree(s)
Luminous Flux	470 lumen
Color Designation	Cool White (CW)
Correlated Color Temperature (Nom)	4000 K
Luminous Efficacy (rated) (Nom)	94.00 lm/W
Color Consistency	<6
Color rendering index (CRI)	80
LLMF At End Of Nominal Lifetime (Nom)	70 %

Operating and Electrical	
Line Frequency	50 to 60 Hz
Input Frequency	50 to 60 Hz
Power Consumption	5 W
Lamp Current (Nom)	55 mA
Wattage Equivalent	40 W
Starting Time (Nom)	0.5 s
Warm-up time to 60% light	0.5 s
Power Factor (Fraction)	0.5
Voltage (Nom)	220-240 V

Temperature	
T-Case Maximum (Nom)	75 °C

Controls and Dimming	
Dimmable	No

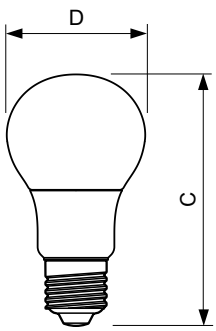
Mechanical and Housing	
Bulb Finish	Frosted

CorePro Plastic LEDbulbs

Bulb Shape	A60 [A 60mm]
Approval and Application	
Energy Consumption kWh/1000 h	5 kWh
EPREL Registration Number	397,629
CE mark	Yes
EU RoHS compliant	Yes
Product Data	
Full product code	87186965779000

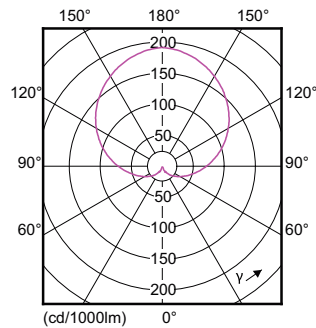
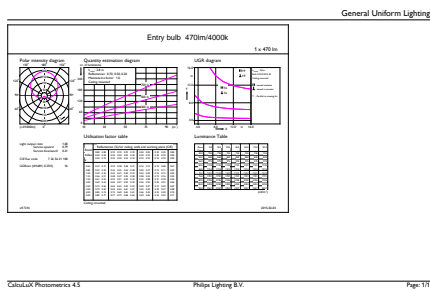
Order product name	CorePro LEDbulb ND 5-40W A60 E27 840
Order code	929001234602
Numerator - Quantity Per Pack	1
Numerator - Packs per outer box	10
Material number (12NC)	929001234602
Full product name	CorePro LEDbulb ND 5-40W A60 E27 840
EAN/UPC - Case	8718696577806

Dimensional drawing



Product	D	C
CorePro LEDbulb ND 5-40W A60 E27 840	60 mm	110 mm

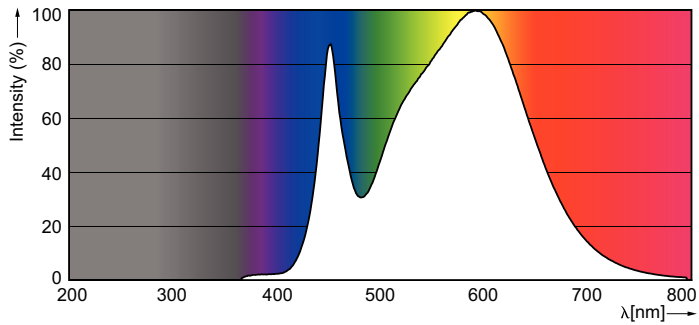
Photometric data



Light Distribution Diagram - CorePro LEDbulb ND 5-40W A60 E27 840

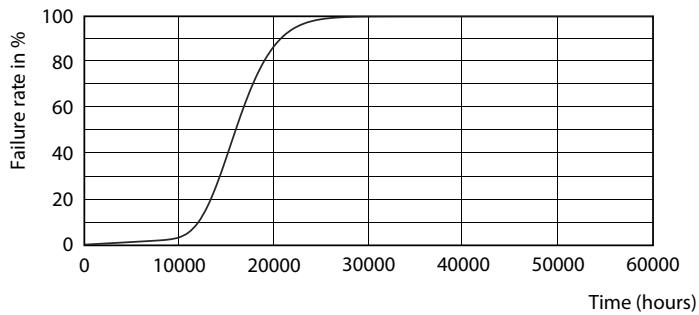
CorePro Plastic LEDbulbs

Photometric data

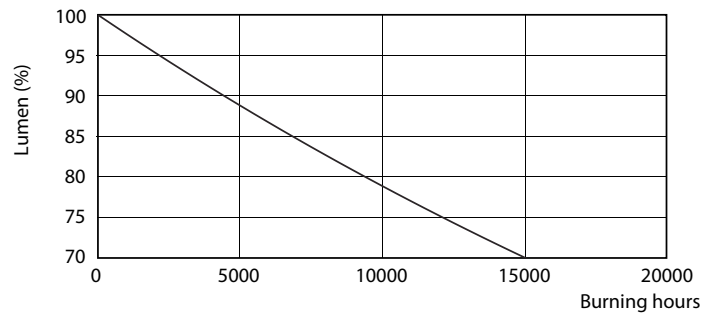


Spectral Power Distribution Colour - CorePro LEDbulb ND 5-40W A60 E27 840

Lifetime



Life Expectancy Diagram - CorePro LEDbulb ND 5-40W A60 E27 840



Lumen Maintenance Diagram - CorePro LEDbulb ND 5-40W A60 E27 840

