

USER MANUAL PLASTIC FLOOR BOX (M - L -XL)

IMAGE BELOW FOR REFERENCE ONLY: **DO NOT PRINT THIS PAGE (1/1).**
FIND ARTWORK ON NEXT PAGE FOR PRINTING (SHEETS 2/3 & 3/3).

Schneider Electric
Unica System+
 INSS2120 INSS2122 INSS2124 INSS2126
 Floor boxes / Podielka podlogove / Caja de suelo / Boîtes de sol / Подставочные коробки / Podstavkové krabice / Espaces équipements / Podna kutija / Gavljador / Talna doza / Lattislaabikot / Espidorteloz sound / Gavkasser / Poddlobozok / Vloerdozen / Caixa de chão

Size	Width	Length
INSS2120	M	175 175
INSS2122	L	178 253
INSS2124	XL	201 327

	INSS2120 (M)	INSS2122 (L)	INSS2124 (XL)	INSS2126 (XL)
Accessories	<input checked="" type="checkbox"/>	<input checked="" type="checkbox"/>	<input checked="" type="checkbox"/>	<input checked="" type="checkbox"/>
Tilbehør	<input checked="" type="checkbox"/>	<input checked="" type="checkbox"/>	<input checked="" type="checkbox"/>	<input checked="" type="checkbox"/>
Prisbor	<input checked="" type="checkbox"/>	<input checked="" type="checkbox"/>	<input checked="" type="checkbox"/>	<input checked="" type="checkbox"/>
Accessories	<input checked="" type="checkbox"/>	<input checked="" type="checkbox"/>	<input checked="" type="checkbox"/>	<input checked="" type="checkbox"/>
Prisbor	<input checked="" type="checkbox"/>	<input checked="" type="checkbox"/>	<input checked="" type="checkbox"/>	<input checked="" type="checkbox"/>
Accessories	<input checked="" type="checkbox"/>	<input checked="" type="checkbox"/>	<input checked="" type="checkbox"/>	<input checked="" type="checkbox"/>
Prisbor	<input checked="" type="checkbox"/>	<input checked="" type="checkbox"/>	<input checked="" type="checkbox"/>	<input checked="" type="checkbox"/>
Accessories	<input checked="" type="checkbox"/>	<input checked="" type="checkbox"/>	<input checked="" type="checkbox"/>	<input checked="" type="checkbox"/>
Prisbor	<input checked="" type="checkbox"/>	<input checked="" type="checkbox"/>	<input checked="" type="checkbox"/>	<input checked="" type="checkbox"/>
Accessories	<input checked="" type="checkbox"/>	<input checked="" type="checkbox"/>	<input checked="" type="checkbox"/>	<input checked="" type="checkbox"/>
Prisbor	<input checked="" type="checkbox"/>	<input checked="" type="checkbox"/>	<input checked="" type="checkbox"/>	<input checked="" type="checkbox"/>
Accessories	<input checked="" type="checkbox"/>	<input checked="" type="checkbox"/>	<input checked="" type="checkbox"/>	<input checked="" type="checkbox"/>
Prisbor	<input checked="" type="checkbox"/>	<input checked="" type="checkbox"/>	<input checked="" type="checkbox"/>	<input checked="" type="checkbox"/>
Accessories	<input checked="" type="checkbox"/>	<input checked="" type="checkbox"/>	<input checked="" type="checkbox"/>	<input checked="" type="checkbox"/>
Prisbor	<input checked="" type="checkbox"/>	<input checked="" type="checkbox"/>	<input checked="" type="checkbox"/>	<input checked="" type="checkbox"/>

A4 FORMAT - SCALE 1:3

TECHNICAL SPECIFICATIONS

- . Material: Offset printing paper:
 - White/Matt Colour
 - Grammage 90g/m²
- . Die cut: standard format and crease.
 - Open size: A4 Format
 - Folded size: please check document “MFR5181400” ONLY for number of folds and final size.
- . Printing: 2x2
 - 2270 C
 - 2270 C (25%)
 - K (80%)
 - K (40%)
 - K (20%)

	Scale: 1:1	Tolerancing Standard : ISO-8015 ISO 27-68m	Units of measure : millimeter
		USER MANUAL PLASTIC FLOOR BOX USER MANUAL PLASTIC FLOOR BOX Number: MFR5177201	Revision: 02 Sheet: 1/3

The information is highly confidential and is the exclusive property of Schneider Electric Group copyright reserved. This drawing must not be used for any purpose other than that expressly permitted in writing by the owners and must not be disclosed or reproduced in any way without permission from the owners in writing. This drawing must be returned to the owners when the purpose has ceased.

State:

Unica System+

INS52120 INS52122 INS52124 INS52126

- | | |
|--------------------|-----------------------|
| en Floor boxes | pl Pudełka podłogowe |
| es Cajas de suelo | ro Doze de pardoseala |
| fr Boîtes de sol | cs Podlahové krabice |
| ru Напольные ящики | sk Podlahové krabice |
| kk Еден қораптары | bg Подови кутии |
| sv Golvlådor | hr Podna kutija |
| no Gulvbokser | sl Talna doza |
| fi Lattialaatikot | el Ενδοδαπέδια κουτιά |
| dk Gulvkasser | hu Padlódobozok |
| de Vloerdozen | sr Podna kutija |
| | pt Caixas de chão |

1

W±1 L±1 TEMPLATE

	Size	W(mm)	L(mm)
INS52120	M	179	178
INS52122	L	178	255
INS52126	XL	201	327

2

3

4

4a

SL5

4b

5

INS52124 (L)

6

A B

Click! Click!

7

7a

Schneider Electric

Click!

7b

Click!

8

Click! Click!

H (mm)

	A	B
1	72	79
2	87	94
3	102	109

H (mm)



- en** Accessories
- es** Accesorios
- fr** Accessoires
- ru** Аксессуары
- kk** Арматура
- sv** Tillbehör
- no** Tilbehør
- fi** Lisätarvikkeet
- dk** Tilbehør
- de** Accessoires
- ro** Accesorii
- cs** Příslušenství
- sk** Príslušenstvo
- bg** Аксесоари
- hr** Pribor
- sl** Pribor
- el** Αξεσουάρ
- hu** Kiegészítők
- sr** Pribor
- pt** Acessórios



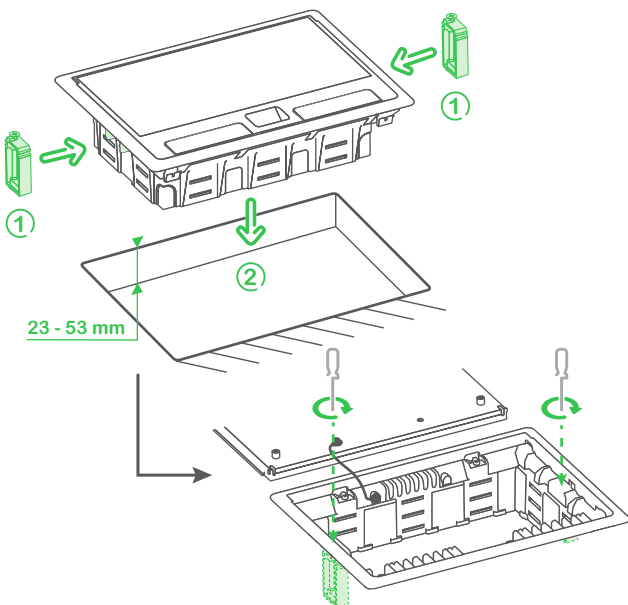
	INS52120 (M)	INS52122 (L)	INS52124 (L)	INS52126 (XL)
INS52153	✓	✓	-	-
INS52154	-	-	✓	-
INS52155	-	-	-	✓



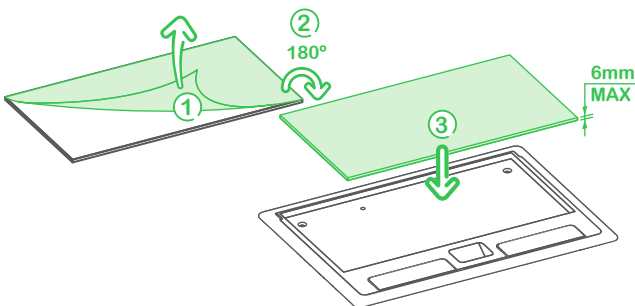
	INS52120 (M)	INS52122 (L)	INS52124 (L)	INS52126 (XL)
INS52156	✓	-	-	-
INS52157	✓	-	-	-
INS52158	-	✓	✓	-
INS52159	-	✓	✓	-
INS52160	-	-	-	✓
INS52161	-	-	-	✓



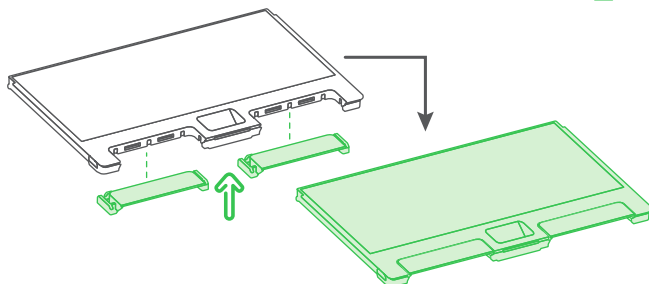
	INS52120 (M)	INS52122 (L)	INS52124 (L)	INS52126 (XL)
ISM50823	✓	✓	✓	✓



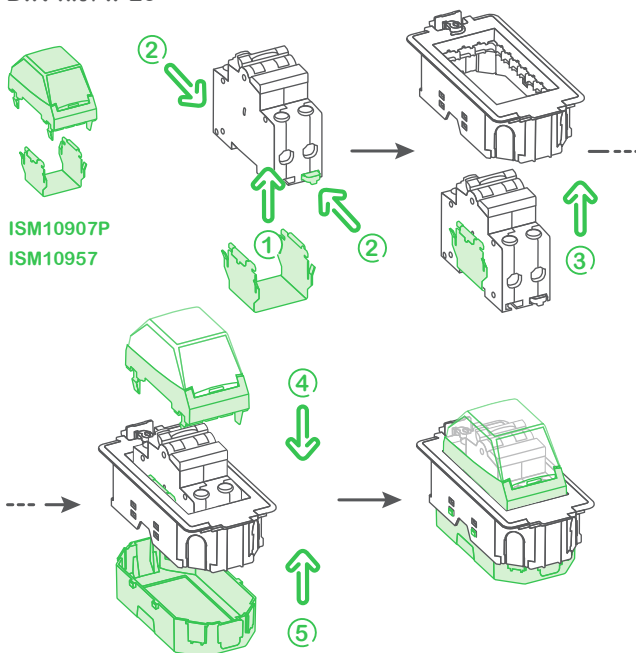
		INS52120 (M)	INS52122 (L)	INS52124 (L)	INS52126 (XL)
	INS52001	✓	-	-	-
	INS52002	-	✓	✓	-
	INS52003	-	-	-	✓
	ISM50320	✓	-	-	-
	ISM50330	-	✓	✓	-
	ISM50343	✓	-	-	-
	ISM50342	-	✓	✓	-
	ISM50340	-	-	-	✓
	ISM50346	-	✓	✓	-



	INS52120 (M)	INS52122 (L)	INS52124 (L)	INS52126 (XL)
INS52162	✓	✓	✓	-
INS52163	-	-	-	✓



DIN-kit / IP20



INS52124 (L)

