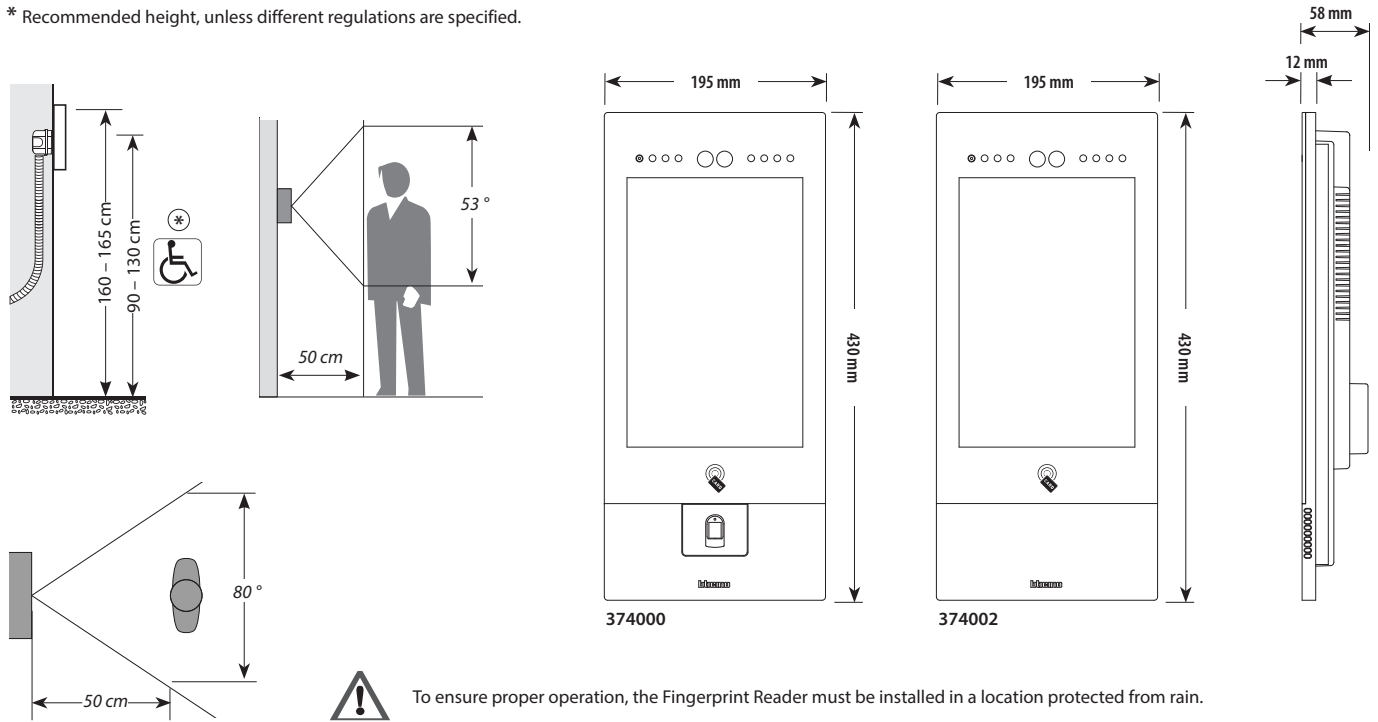
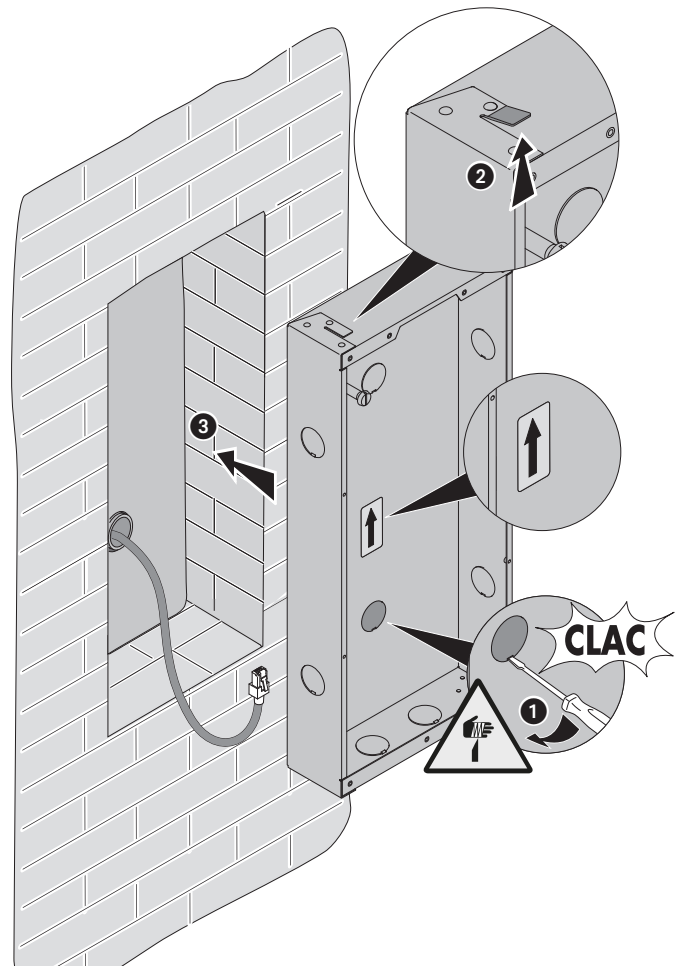
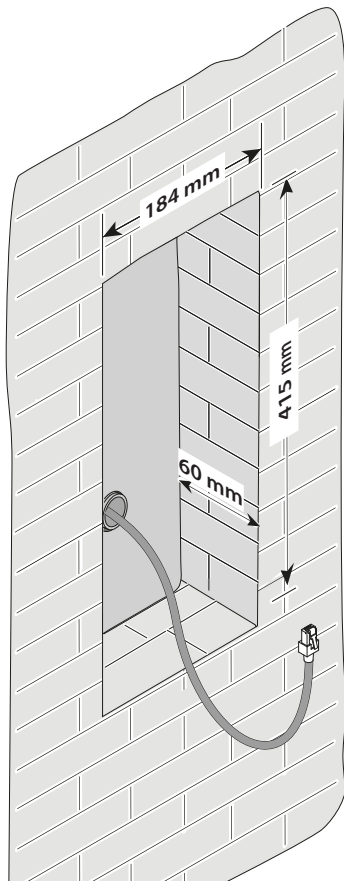


Dimensional data

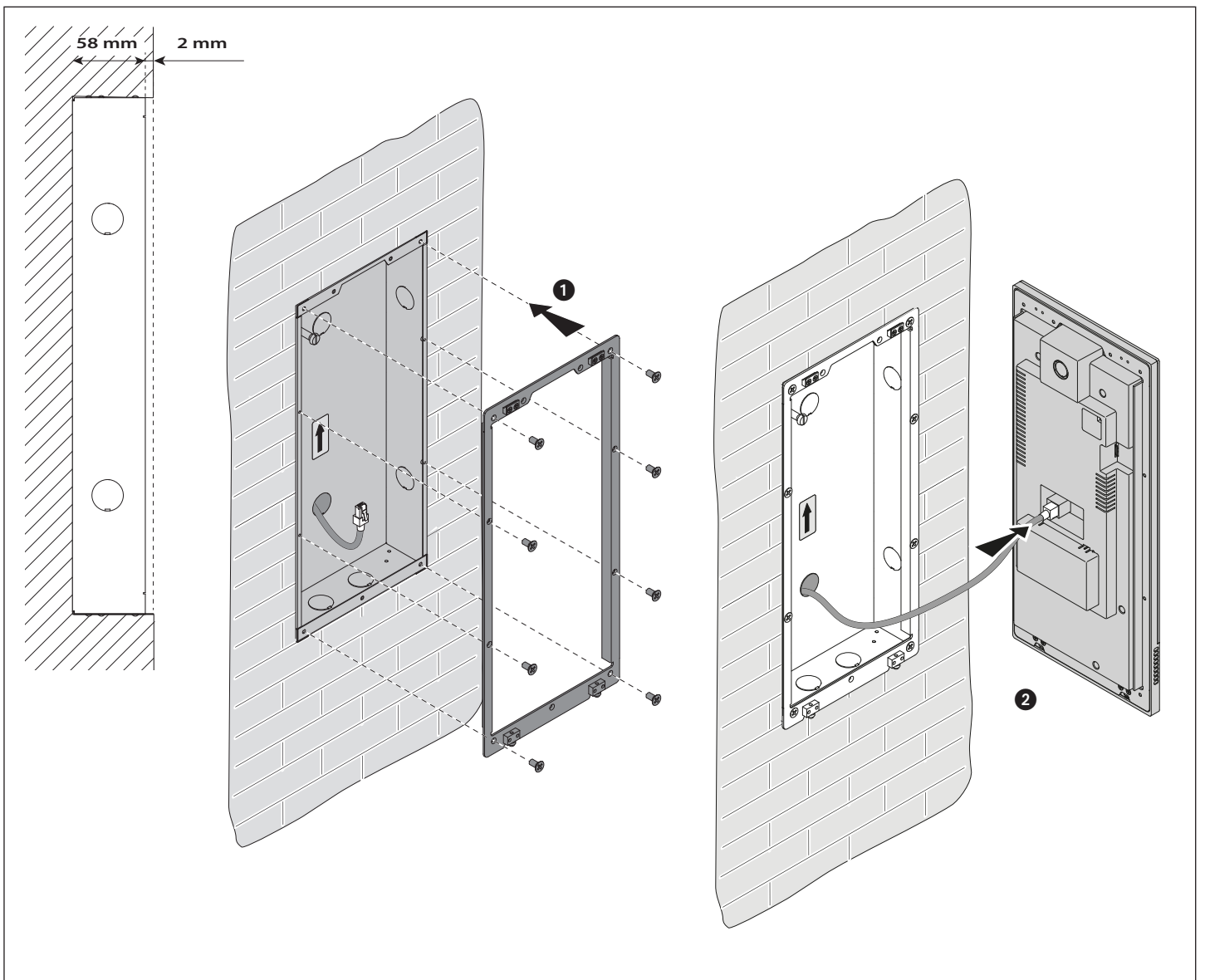
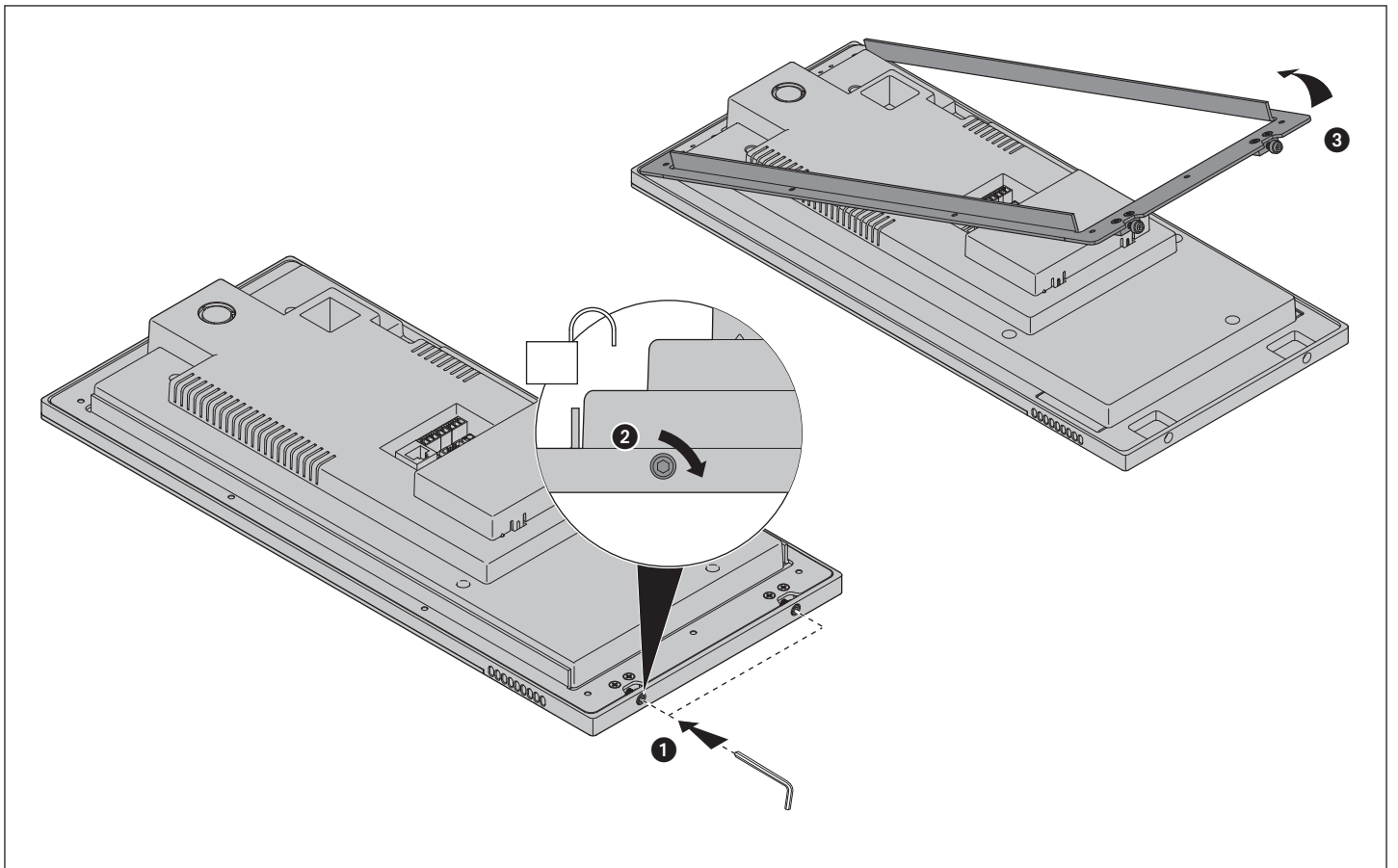
* Recommended height, unless different regulations are specified.

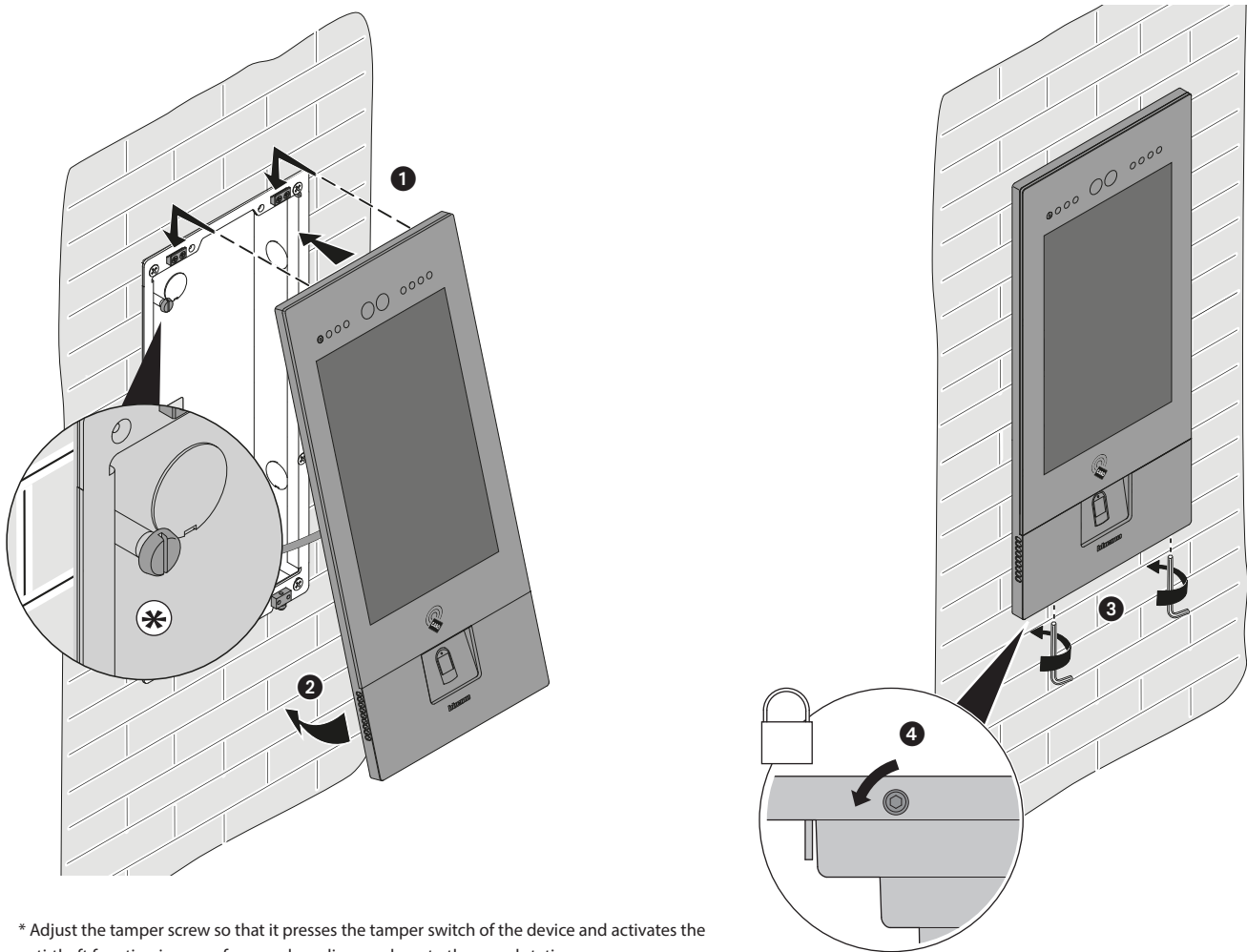


Installation



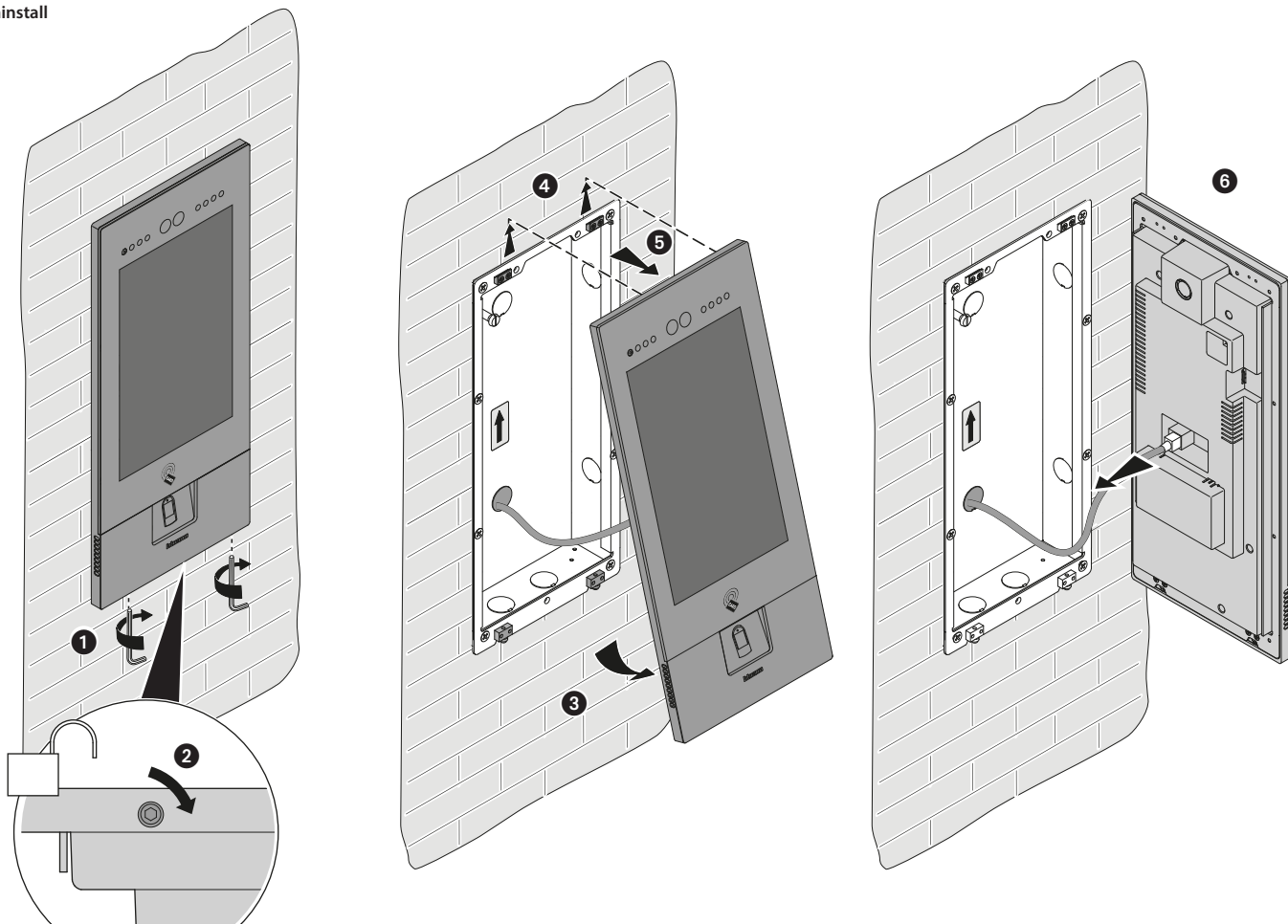
The RJ45 cable must be at least 200 mm long



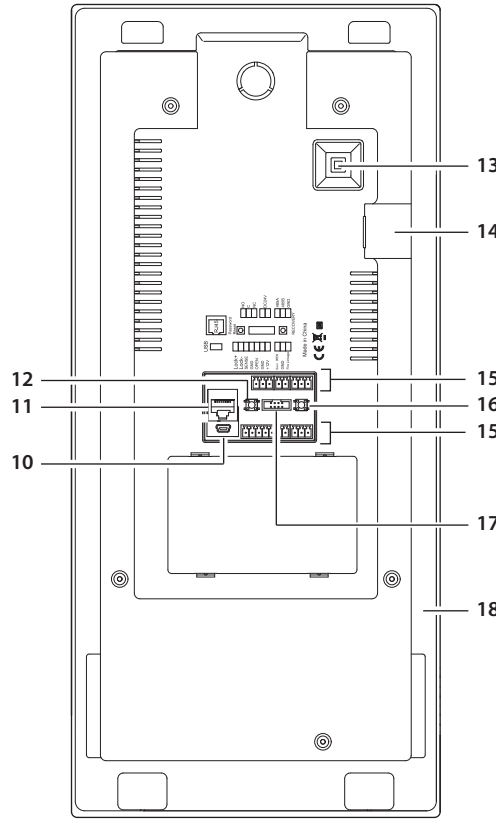
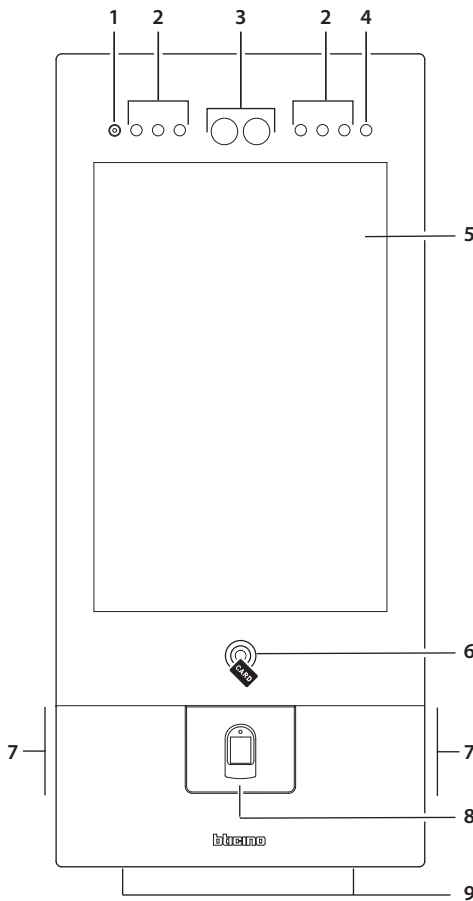


* Adjust the tamper screw so that it presses the tamper switch of the device and activates the anti-theft function in case of removal sending an alarm to the guard station.

Uninstall



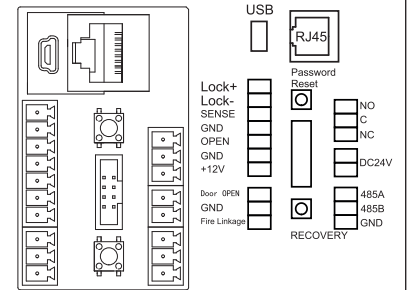
Front and rear view



1. Microphone
2. LED for the shooting field lighting
3. Camera
4. Light sensor
5. Display 10" (touch screen)
6. Badge reader for door lock opening
7. Loudspeaker
8. Finger print reader (only 374000)
9. Locking screws
10. USB Connector (not used)
11. RJ45 Connector (*)
12. Not used
13. Tamper switch
14. SD card
15. Connection clamp
16. Reset to the factory settings push button
17. Not used
18. Mounting bracket

(*)

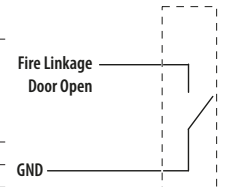
This device does not support standard POE power supplies, but only POE power supplies identified with item no. 375002. Connect the cat5/5e/6 FTP or cat5/5e/6 UTP cable with ferrite supplied to the connector



Connection clamp

LOCK+	electric door lock connection and control (12V - 4A impulsive on 3 Ohm maximum)
LOCK-	
SENSE	door lock status signal input (dry contact)
GND	system common ground terminal for third party connection
OPEN	third party access control signal input for door lock opening (+12Vdc pulse)
GND	
+12V	access control devices power supply

Door OPEN - GND	local door lock release pushbutton connection
FIRE Linkage - GND	local door lock release pushbutton connection for firealarm system
NO	
C	
NC	interlocked contact
DC24V	additional power supply clamps (not polarized)
RS485A	terminal A
RS485B	terminal B
GND	system common ground terminal for RS485 connection



Configuration

The device must be configured by software. For software download, installation device documentation and for any other information, refer to the website.



www.homesystems-legrandgroup.com

Technical data

Voltage	24 Vdc
Maximum consumption	0.65 A
C NC NO contact output	125 Vac/0.5A, 30Vdc/2A
Max. cable section for clamps	0.8 mm ²
Operating temperature	(- 40) - (+ 70) °C
IP degree of protection	54
IK degree of protection	07
Camera resolution	1080 p
Camera viewing field angle	H= 80°; V= 53°
Face recognition distance during daytime (374001 only)	30-80 cm
Face Recognition Distance at Night (374001 only)	30-50 cm
Badge reader Frequency	13.56 MHz
Badge reader transmission power	< 42 dBuA/m @ 10m

Warnings and consumer rights



Read carefully before use and keep for future reference



- Touching the units with wet hands is forbidden
- Using liquid cleaners or aerosols is forbidden
- Blocking the ventilation openings is forbidden
- Modifying the devices is forbidden
- Removing protective parts from the devices is forbidden
- Installing the units near liquids and powders is forbidden
- Installing the units near heat sources is forbidden
- Installing the units near harmful gases, metal dusts or similar is forbidden
- Fastening the units on unsuitable surfaces is forbidden



Danger of electrical shock



Risk of devices falling because the surface on which they are installed collapses or inappropriate installation
Switch the power supply OFF before any work on the system



Caution: Installation, configuration, starting-up and maintenance must be performed exclusively by qualified personnel.



- Check that the wall installation has been carried out correctly
- Lay out the wires respecting the standards in force
- Connect the power supply wires as indicated
- Use only the items indicated in the technical specifications for any system expansions



Remote operation may cause damage to people or property.