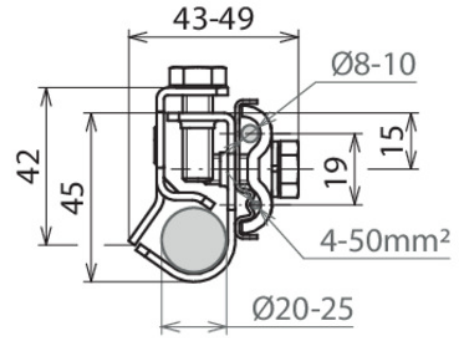
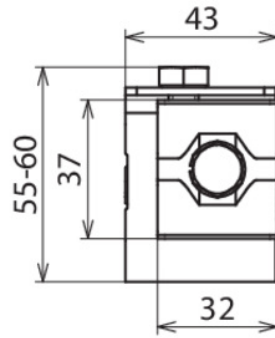


**AK 8.10 AQ4 50 TE20 25 V4A (540 121)**



Figure without obligation



Connection clamp for lightning equipotential bonding connection of pipes (e.g. antenna poles) to the earth rod via a solid /stranded conductor.



Type	AK 8.10 AQ4 50 TE20 25 V4A
Part No.	540 121 ✓
Material	StSt (V4A)
Material No.	1.4571 / 1.4404 / 1.4401
ASTM / AISI:	316Ti / 316L / 316
For earth rods Ø	20-25 mm
Clamping range Rd	8-10 mm
Connection (solid / stranded)	4-50 mm <sup>2</sup>
Screw	M8 x 20 / 25 mm
Lightning current carrying capability (10/350 µs)	100 kA *)
Standard	EN 62561-1
Weight	144 g
Customs tariff number	85389099
GTIN	4013364380660
PU	25 Stk

\*)For exact classification, see test certificate.

We reserve the right to introduce changes in performance, configuration and technology, dimensions, weights and materials in the course of technical progress. The figures are shown without obligation.