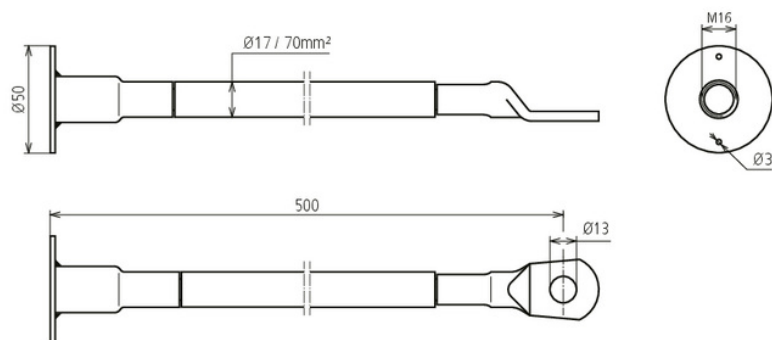


D BEB 11 / EBS 15-03-27 (419 110)



Figure without obligation



Earthing bridge for earthing large pipes

The earthing bridges are designed for earthing, return circuits and equipotential bonding in railway line applications. The version for earthing large pipes is intended for use with pile and large pipe foundations. The product consists of a copper cable with a pressed-on sleeve and stainless steel connection plate with integrated boreholes for the formwork fixing at one end, and a cable lug at the opposite end. The cable lug is used to establish a short-circuit-resistant connection to the pile or large pipe foundation. The flexibility of the cable simplifies installation in the reinforcement for the user. This earthing bridge also has the technical approval of DB Netz AG and can be used there without hesitation in planning.

| Type | D BEB 11 / EBS 15-03-27 |
|--|-------------------------|
| Part No. | 419 110 NEW |
| Material of plate | StSt |
| Material No. | 1.4301 |
| Material of socket | St / Cu |
| Material of cable lug | Cu/gal Sn |
| Material of cable | Cu |
| Short-circuit current | ≤ 25 kA |
| Test current | 25 kA / 100 ms |
| Standard | Ril 997.0205A01 |
| Short-circuit current (AC 50 Hz / DC) (1 s; ≤ 300°C) | 7.9 kA |
| Thread | M16 |
| Diameter of connection plate | 50 mm |
| Cable | NY-Y-O |
| Cable cross-section | 70 mm ² |
| Cable diameter | 17 mm |
| Borehole cable lug | 13 mm |
| Length | 500 mm |
| DB drawing No. | 4 Ebs 15.03.27 - 2 |
| Weight | 550 g |
| Customs tariff number | 85369010 |
| GTIN | 4013364439665 |
| PU | 1 Stk |

We reserve the right to introduce changes in performance, configuration and technology, dimensions, weights and materials in the course of technical progress. The figures are shown without obligation.