

# HID-HeavyDuty BSN semi-parallel for SON/CDO/MH/HPI

## BSN 400 L33-A2-TS 230V 50Hz HD3-166

Encapsulated electromagnetic copper/iron ballasts for use with an external semi-parallel ignitor for CDM, CDO, MH, HPI (Plus) and SON lamps

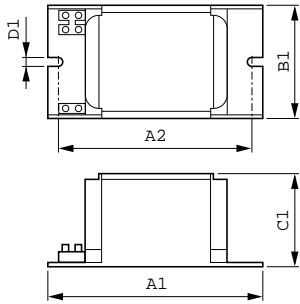
### Product data

General Information	
Number of Lamps	1 piece/unit
Operating and Electrical	
Input Voltage	230 V
Line Frequency	50 Hz
Input Frequency	50 Hz
Wiring	
Connector Type	Screw
Approval and Application	
Approval Marks	CE marking ENEC certificate

Product Data	
Full product code	871150005976530
Order product name	BSN 400 L33-A2-TS 230V 50Hz HD3-166
Order code	913700226926
Numerator - Quantity Per Pack	1
Numerator - Packs per outer box	4
Material number (12NC)	913700226926
Full product name	BSN 400 L33-A2-TS 230V 50Hz HD3-166
EAN/UPC - Case	8711500059772

# HID-HeavyDuty BSN semi-parallel for SON/CDO/MH/HPI

## Dimensional drawing



Product	D1	C1	A1	A2	B1
BSN 400 L33-A2-TS 230V 50Hz	6.2 mm	84.0 mm	166.0 mm	147.5 mm	102.0 mm
HD3-166					

