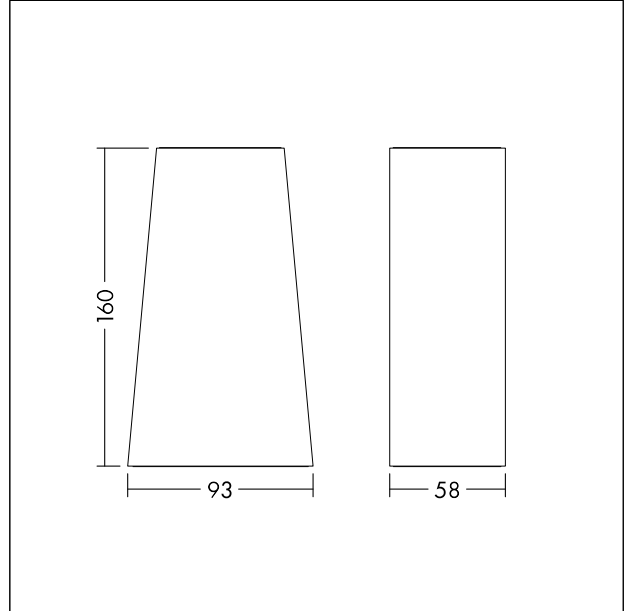


Wall mounted luminaire, UP and Downlight

Half-round cone shaped IP65 Wall mounted luminaire, UP and Downlight for outdoor applications with black aluminium die cast housing. Colour Temperature 3000K (warm-white) with colour rendering index Ra80, LED service life: 50000 h before luminous flux is reduced to 80 % of the initial value. Luminaire input power: 8 W; 500 Lumen @ 63lm/W; IK04; IP65; 230V. Quick connection terminal for wires up to 2.5mm<sup>2</sup> for fast installation. Dimensions: 94 x 160 x 58 mm, weight: 0.52 kg.



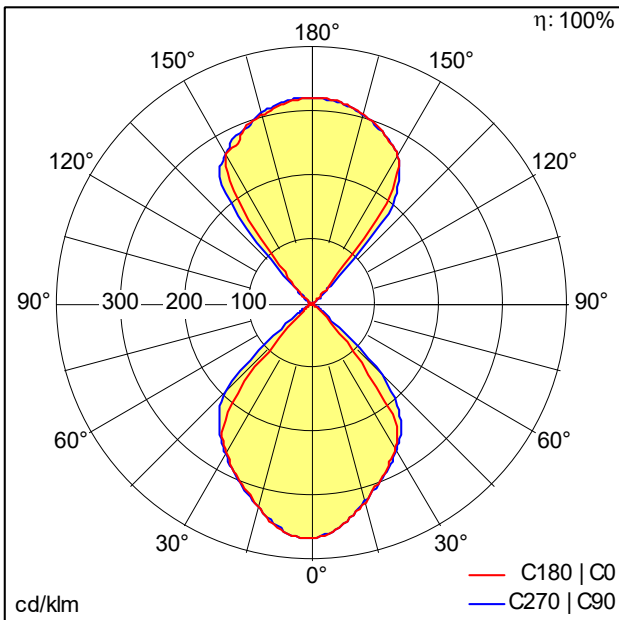
TE\_HOLLY\_F\_ROUND\_UPDOWN\_persp.jpg



TE\_HOLLY\_M\_ROUND.wmf

Light Distribution

STD - standard



TE\_HOLLY\_CONE\_UPDOWN\_IP65\_500\_830.idt

- Light Source: LED
- Luminaire luminous flux\*: 500 lm
- Luminaire efficacy\*: 63 lm/W
- Colour Rendering Index min.: 80
- Correlated colour temperature\*: 3000 Kelvin
- Chromaticity tolerance (initial MacAdam): 6
- Rated median useful life\*: L80 50000 h at 25 °C
- Ballast: 1x LED\_Con
- Luminaire input power\*: 8 W Power factor = 0.5
- Dimming: Fixed output
- Maintenance category CIE 97: E - Dust-proof IP5X

This product contains a light source of energy efficiency class E.

All values marked with an \* are rated values. Connected electrical load and luminous flux are subject to an initial tolerance of +/- 10%, the most similar colour temperature is subject to an initial tolerance of +/- 150K. Unless stated otherwise, the values apply to an ambient temperature of 25°C.