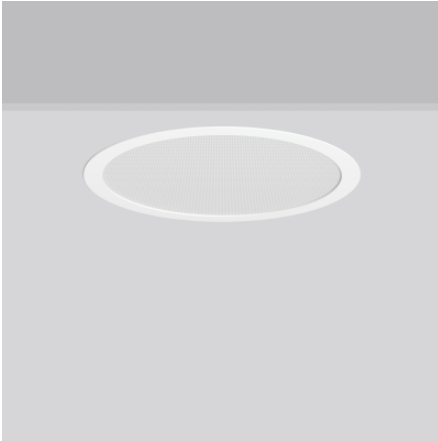


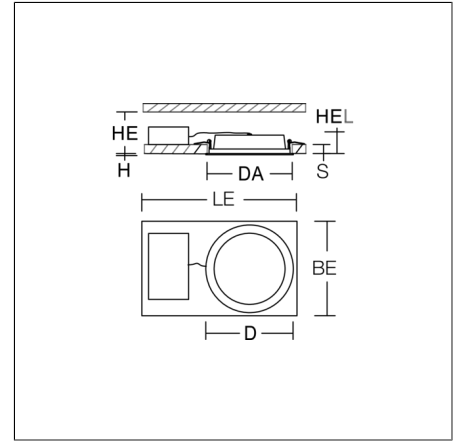
TOLEDO FLAT+ round

901811.002.76 | Recessed downlights



Recessed downlights
4051859931393
D 390, H 2

Recessed ceiling mounting
white



Flexible round recessed multifunction downlight. Housing: sheet steel, powder-coated. Luminaire frame: aluminium, powder-coated. Diffuser made of non-yellowing plastic (PMMA) microprismatic. LED backlight technology for homogeneous illumination of the entire light-emitting surface. MultiColour: Colour temperature individually adjustable either 3000 K or 4000 K via switching element. Factory setting is 4000 K. MultiLumen: 4 steps adjustable luminous flux. Factory setting is step 2. Suitable for Recessed ceiling mounting. Ceiling installation with spring system. Can be directly covered with thermal insulation material (applies only to the lower lumen levels). Including separate LED converter with connecting cable 250 mm. Suitable for through wiring as standard. Surface mounted housing as accessory for all sizes.

TOLEDO FLAT+ round

901811.002.76 | Recessed downlights

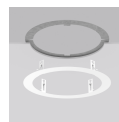
Product specifications

Diameter D	390 mm
Height H	2 mm
Cut-out diameter DA	377 mm
Luminaire: recess height HEL	40 mm
Ceiling thickness S	1-20 mm
Installation space length LE	550 mm
Installation space width BE	490 mm
Installation space height HE	60 mm
Weight	1.28 kg
Light source	LED
Colour temperature	3000 K 4000 K
Rated luminous flux	1350 lm 1800 lm 2200 lm 2550 lm
System power	12 W 15 W 19 W 22 W
System efficiency	113 lm/W 116 lm/W 116 lm/W 120 lm/W
Glare evaluation UGR (4H 8H)	17,7 18,7 19,4 19,9
Beam angle	78°
Rated life	50000 h (L80/B10)
Colour rendering index (CRI)	80
Colour tolerance	3
Photobiological safety according to EN 62471	Risk group 1
Driver	Converter, dimmable
Control	DALI
Voltage	220 - 240 V / 50 Hz, 60 Hz
Luminaires on B10A fuse	40
Luminaires on B16A fuse	64
Luminaires on C10A fuse	40
Luminaires on C16A fuse	64
Inrush current / Inrush current duration	5.22 A / 36 µs
CIE Flux Code / CEN Flux Code	67 90 98 100 100
Type of protection	IP 54 on room side IP 20
Protection class	II
Filament test	650 °C
Impact resistance	IK03
Ambient temperature	-20 °C ... + 35 °C
Safety marks	Do not cover the recessed luminaire!
Conformity mark	CE, EAC

Accessories



982919.002
Surface mounted housing



983079.002
refurbishment frames for recessed luminaires